

520988-2 ✓ ACTIVE

Ultra-Pod | Ultra-Pod 250

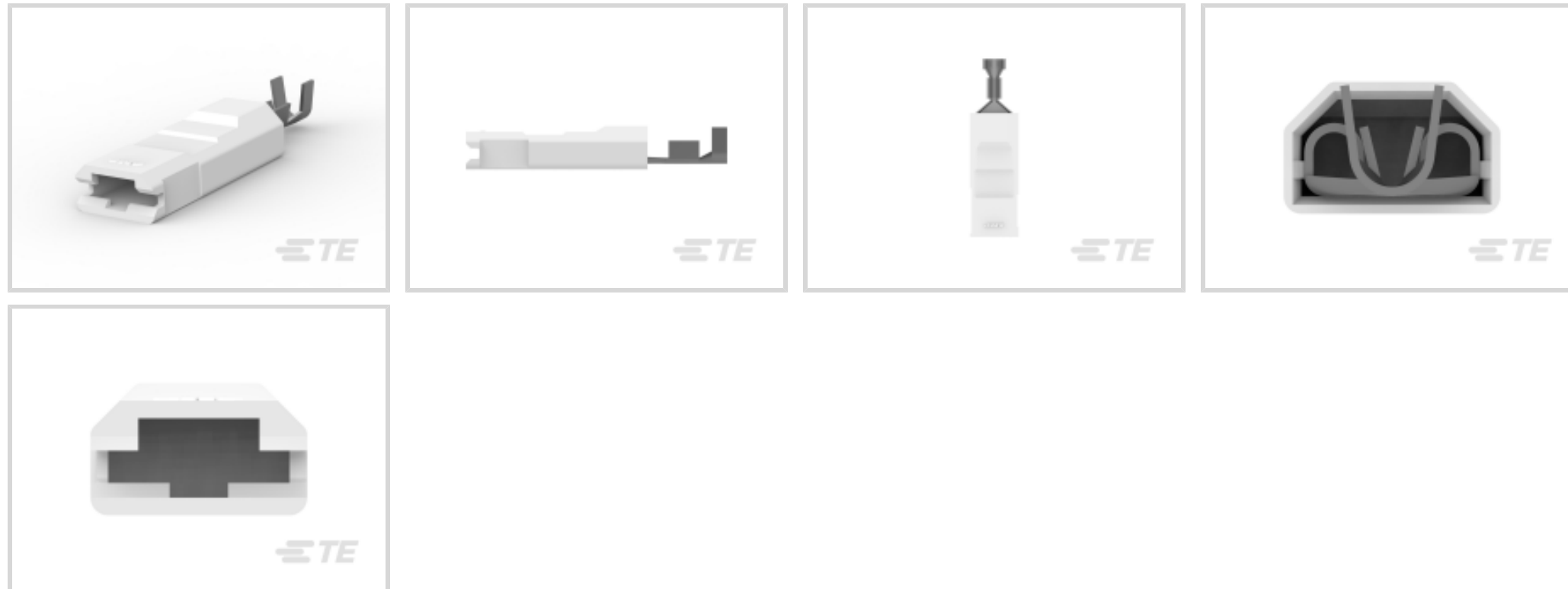
TE Internal #: 520988-2

Quick Disconnects, Receptacle, 22 – 18 AWG Wire Size, .32 – .82 mm² Wire Size, Mating Tab Width 6.35 mm [.25 in], Straight, Brass, Ultra-Pod 250

[View on TE.com >](#)



Terminals & Splices > Quick Disconnects > ULTRA POD: Straight, Receptacle Assembly, Tin Plated, 0.25 inch



Quick Disconnect Terminal Type: **Receptacle**

Wire Size: .32 – .82 mm²

Mating Tab Width: 6.35 mm [.25 in]

Mating Tab Thickness: .81 mm [.032 in]

[All ULTRA POD: Straight, Receptacle Assembly, Tin Plated, 0.25 inch \(13\)](#)

Features

Product Type Features

Insertion Force	Low
-----------------	-----

Configuration Features

Connection Capacity	Single
---------------------	--------

Compatible With Wire & Cable Type	Discrete Wire
-----------------------------------	---------------

Electrical Characteristics

Voltage Rating	600 V
----------------	-------

Body Features

Insulation Material	Nylon
---------------------	-------

Contact Features

Quick Disconnect Terminal Type	Receptacle
--------------------------------	------------

Mating Tab Width	6.35 mm [.25 in]
------------------	------------------

Mating Tab Thickness	.81 mm [.032 in]
----------------------	------------------

Terminal Orientation	Straight
----------------------	----------



Contact Base Material	Brass
Terminal Plating Material	Tin
Crimp Type	F-Crimp
Barrel Type	Open

Termination Features

Product Terminates To	Wire & Cable
-----------------------	--------------

Mechanical Attachment

Wire Insulation Support	With
-------------------------	------

Dimensions

Terminal Material Thickness	.41 mm[.016 in]
Product Length	34.67 mm[1.365 in]
Compatible Insulation Diameter Range	2.29 – 3.3 mm[.09 – .13 in]
Wire Size	.32 – .82 mm ²

Usage Conditions

Insulation Option	Fully Insulated
Operating Temperature Range	-40 – 150 °C[-40 – 302 °F]

Industry Standards

Agency/Standard	CSA, UL
Approved Standards	UL E66717
UL Flammability Rating	UL 94V-2

Packaging Features

Packaging Quantity	2000
Packaging Method	Strip/Reel

Other

Barrel Color	Natural
--------------	---------

Product Compliance

[For compliance documentation, visit the product page on TE.com>](#)

EU RoHS Directive 2011/65/EU	Compliant
EU ELV Directive 2000/53/EC	Compliant
China RoHS 2 Directive MIIT Order No 32, 2016	No Restricted Materials Above Threshold
EU REACH Regulation (EC) No. 1907/2006	



Current ECHA Candidate List: JUNE 2023 (235)

Candidate List Declared Against: JUNE 2023 (235)

Does not contain REACH SVHC

Halogen Content

Low Halogen - Br, Cl, F, I < 900 ppm per homogenous material. Also BFR/CFR/PVC Free

Solder Process Capability

Not applicable for solder process capability

Product Compliance Disclaimer

This information is provided based on reasonable inquiry of our suppliers and represents our current actual knowledge based on the information they provided. This information is subject to change. The part numbers that TE has identified as EU RoHS compliant have a maximum concentration of 0.1% by weight in homogenous materials for lead, hexavalent chromium, mercury, PBB, PBDE, DBP, BBP, DEHP, DIBP, and 0.01% for cadmium, or qualify for an exemption to these limits as defined in the Annexes of Directive 2011/65/EU (RoHS2). Finished electrical and electronic equipment products will be CE marked as required by Directive 2011/65/EU. Components may not be CE marked. Additionally, the part numbers that TE has identified as EU ELV compliant have a maximum concentration of 0.1% by weight in homogenous materials for lead, hexavalent chromium, and mercury, and 0.01% for cadmium, or qualify for an exemption to these limits as defined in the Annexes of Directive 2000/53/EC (ELV). Regarding the REACH Regulation, the information TE provides on SVHC in articles for this part number is based on the latest European Chemicals Agency (ECHA) 'Guidance on requirements for substances in articles' posted at this URL: <https://echa.europa.eu/guidance-documents/guidance-on-reach>

Compatible Parts



REPRESENTATION ONLY

TE Part # 90165-1
DAHT 250 FASTON REC 18-14 ASSY



TE Part # 1969161-5
ULTRA-POD 250 ASY REC 0.3-0.8 MM2 TPBR



TE Part # 314917-1
EXT TL 250 U-POD STR IS9726



TE Part # 2217483-2
KIT, BTLI, DOUBLE ACTION HEAD



REPRESENTATION ONLY

TE Part # 90166-1
DAHT 250 FASTON REC 22-18 ASSY



TE Part # 2217483-1
KIT, BTLI, DOUBLE ACTION HEAD




TE Part # 91514-1
CCII FASTON 250 REC 22-18 ASSY



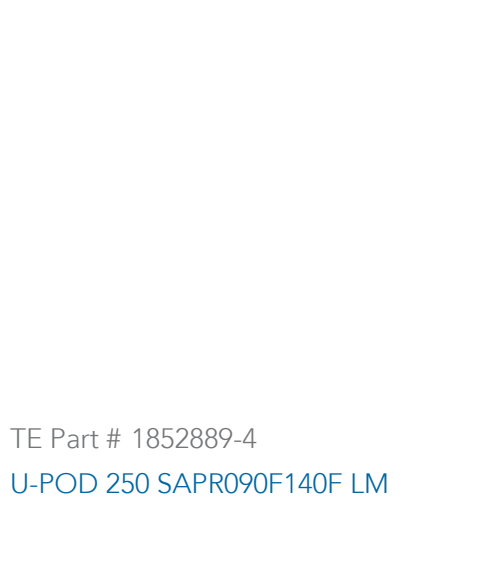
TE Part # 1852889-1
MACH,U-POD.250 SAPR090F130F LM



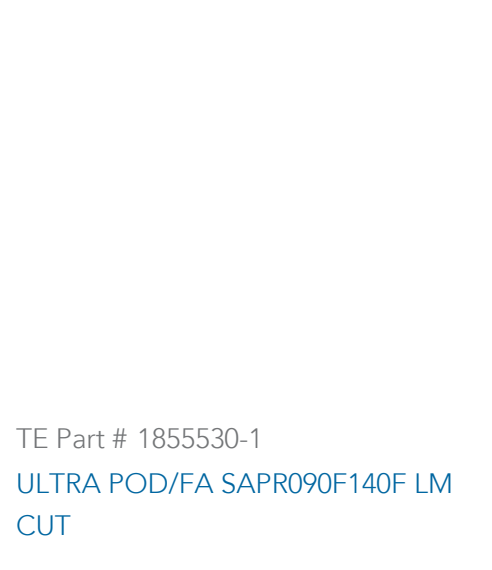

TE Part # 1855530-3
ULTRA POD/FA SAPR090F140F BENCH G



TE Part # 314916-1
INSER TL 250 U-POD STR IS9725




TE Part # 1852889-4
U-POD 250 SAPR090F140F LM




TE Part # 1855530-1
ULTRA POD/FA SAPR090F140F LM CUT

Also in the Series | **Ultra-Pod 250**



Insertion & Extraction Tools(2)



Quick Disconnects(43)

Customers Also Bought



TE Part #1-770849-2
Receptacle Housing: Wire-to-Board, with Mating Alignment, SL156



TE Part #63561-1
SPLICE 10000-16000 CMA 031BR



TE Part #42110-3
RING TERMINAL 18-14 AWG BR



TE Part #63306-2
250 FASTON REC 18-14 AWG TPBR



TE Part #63610-2
SPRING SPADE TERMINAL 14-10 AWG TPBR



TE Part #52041
TERMINAL,R PG 8 8



TE Part #1-520935-8
PL 250 HOUSING RECEPTACLE



TE Part #1742539-3
CLUSTER BLOCK RECEPT,TPCuFeP



TE Part #520935-9
PL&STANDARD FASTON 250 HOUSING REC BLA



Documents

Product Drawings

[ULTRA-POD 250 ASSY REC 22-18 AWG TPBR](#)

English

CAD Files

[3D PDF](#)

3D

Customer View Model

[ENG_CVM_CVM_520988-2_F.2d_dxf.zip](#)

English

Customer View Model

[ENG_CVM_CVM_520988-2_F.3d_igs.zip](#)

English

Customer View Model

[ENG_CVM_CVM_520988-2_F.3d_stp.zip](#)

English

By downloading the CAD file I accept and agree to the [Terms and Conditions](#) of use.

Datasheets & Catalog Pages

[Ultra-Fast and Ultra Fast Plus](#)

English

Product Specifications

[Application Specification](#)

English

Product Environmental Compliance

[MD_520988-2_05032018813_dmtec](#)

English

[MD_520988-2_05032018813_dmtec](#)

English

Agency Approvals

[UL Report](#)

English