

5207720-2 ✓ ACTIVE

AMPLIMITE | AMPLIMITE Kit

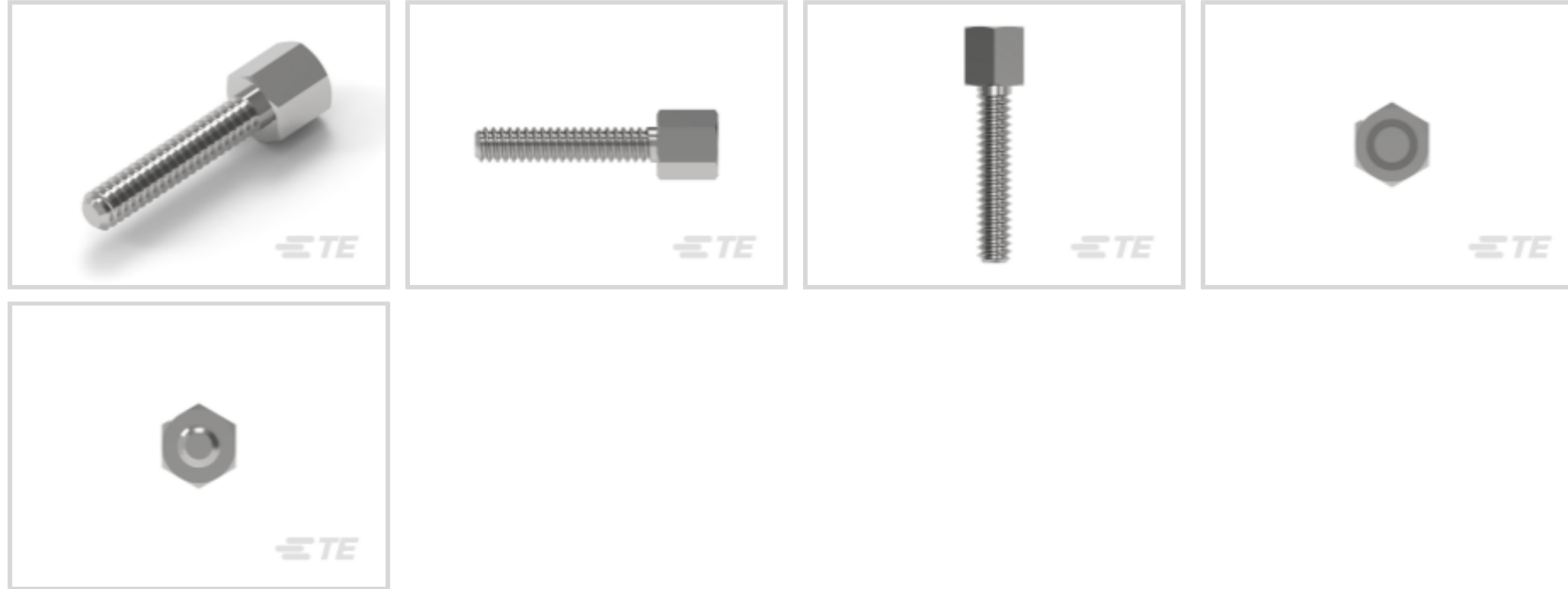
TE Internal #: 5207720-2

D-Sub Locking & Mounting, Female Screwlocks, Screw Length
18.99 mm [.748 in], AMPLIMITE Kit

[View on TE.com >](#)



Connectors > D-Shaped Connectors > D-Sub Accessories > D-Sub Locking & Mounting



Connector Mounting Accessory Type: **Female Screwlocks**

Screw Length: **18.99 mm [.748 in]**

Features

Product Type Features

| | |
|-----------------------------------|-------------------|
| Connector Mounting Accessory Type | Female Screwlocks |
|-----------------------------------|-------------------|

Mechanical Attachment

| | |
|-----------------|--------------------|
| Screwlock Style | Screwlock Only |
| Screw Finish | Yellow Chromate |
| Thread Size | 4-40 UNC |
| Screw Length | 18.99 mm [.748 in] |

Dimensions

| | |
|---------------|-------------------|
| Thread Length | 14.22 mm [.56 in] |
|---------------|-------------------|

Packaging Features

| | |
|--------------------|---------|
| Packaging Quantity | 1 |
| Packaging Method | Package |

Product Compliance

[For compliance documentation, visit the product page on TE.com>](#)

| | |
|------------------------------|---------------------------|
| EU RoHS Directive 2011/65/EU | Compliant with Exemptions |
| EU ELV Directive 2000/53/EC | Compliant with Exemptions |



| | |
|---|--|
| China RoHS 2 Directive MIIT Order No 32, 2016 | Restricted Materials Above Threshold |
| EU REACH Regulation (EC) No. 1907/2006 | Current ECHA Candidate List: JUNE 2023 (235) Candidate List Declared Against: JUNE 2023 (235) SVHC > Threshold: Pb (.35% in Component Part) Article Safe Usage Statements: Do not eat, drink or smoke when using this product. Wash thoroughly after handling. Recycle if possible and dispose of the article by following all applicable governmental regulations relevant to your geographic location. |
| Halogen Content | Low Halogen - Br, Cl, F, I < 900 ppm per homogenous material. Also BFR/CFR/PVC Free |
| Solder Process Capability | Not applicable for solder process capability |

Product Compliance Disclaimer

This information is provided based on reasonable inquiry of our suppliers and represents our current actual knowledge based on the information they provided. This information is subject to change. The part numbers that TE has identified as EU RoHS compliant have a maximum concentration of 0.1% by weight in homogenous materials for lead, hexavalent chromium, mercury, PBB, PBDE, DBP, BBP, DEHP, DIBP, and 0.01% for cadmium, or qualify for an exemption to these limits as defined in the Annexes of Directive 2011/65/EU (RoHS2). Finished electrical and electronic equipment products will be CE marked as required by Directive 2011/65/EU. Components may not be CE marked. Additionally, the part numbers that TE has identified as EU ELV compliant have a maximum concentration of 0.1% by weight in homogenous materials for lead, hexavalent chromium, and mercury, and 0.01% for cadmium, or qualify for an exemption to these limits as defined in the Annexes of Directive 2000/53/EC (ELV). Regarding the REACH Regulation, the information TE provides on SVHC in articles for this part number is based on the latest European Chemicals Agency (ECHA) 'Guidance on requirements for substances in articles' posted at this URL: <https://echa.europa.eu/guidance-documents/guidance-on-reach>

Compatible Parts



Also in the Series | **AMPLIMITE Kit**



Connector Backshells(102)



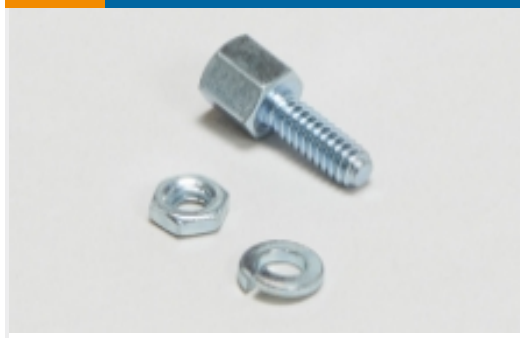
Connector Caps & Covers(3)



Connector Strain Relief(30)

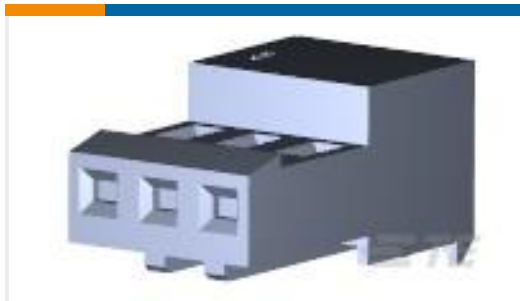


D-Sub Contact Accessories(1)



D-Sub Locking & Mounting(119)

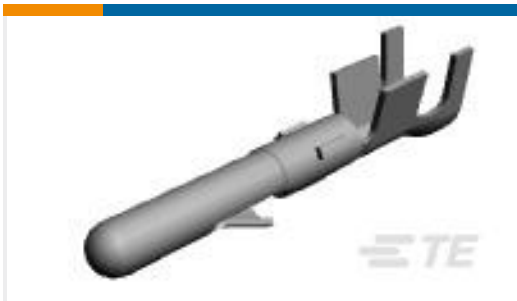
Customers Also Bought



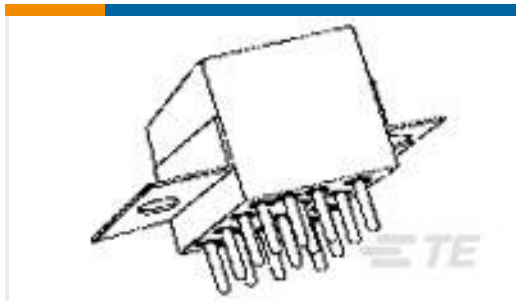
TE Part #3-641190-3
03P MTA100 CONN ASSY RED LF



TE Part #205840-4
CPC RCPT ASSY 17-28 W/INSERTS



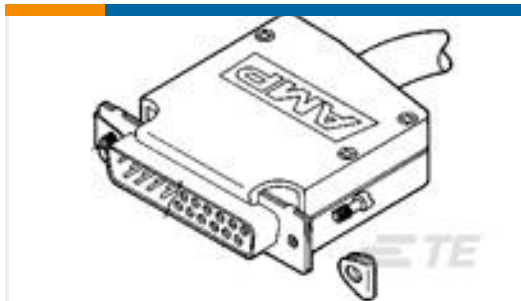
TE Part #60618-5
CMNL PIN AUBR L/P



TE Part #8-1617760-3
FCB-405-0622M=M83536/6-022M



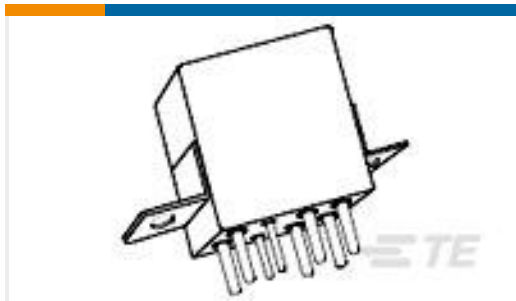
TE Part #5148414-5
ASSY, PIN, R.A., TYPE M, EUROCARD, L-FREE, 24+



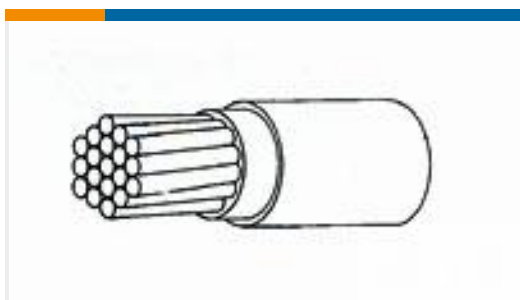
TE Part #5206478-3
CLAMSHELL SIZE 3 W/RETAINER



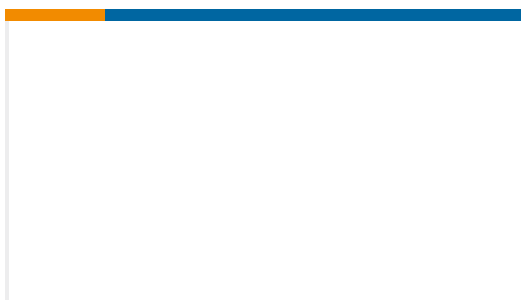
TE Part #ZPF000000000003594
724-0001-22



TE Part #1617749
FCA-210-0924M=M83536/9-024M



TE Part #218542-002
22759/34-24-9



TE Part #CTS-S20-20
CONT SOC ASSY

Documents



Product Drawings

FEMALE SCREWLOCK,ZN

English

CAD Files

3D PDF

3D

Customer View Model

[ENG_CVM_CVM_5207720-2_O.2d_dxf.zip](#)

English

Customer View Model

[ENG_CVM_CVM_5207720-2_O.3d_igs.zip](#)

English

Customer View Model

[ENG_CVM_CVM_5207720-2_O.3d_stp.zip](#)

English

By downloading the CAD file I accept and agree to the [Terms and Conditions](#) of use.

Instruction Sheets

Instruction Sheet (U.S.)

English