

5172068-3 ✓ ACTIVE



Standard Drawer

TE Internal #: 5172068-3

Housing, Receptacle, Wire-to-Board / Wire-to-Wire, 16 Position, .197 in [5 mm] Centerline, Crimp, 2 Row, Blue, Mating Retention, Standard Drawer

[View on TE.com >](#)

[Connectors >](#) [PCB Connectors >](#) [Wire-to-Board Connectors >](#) [Wire-to-Board Connector Assemblies & Housings >](#)

[Standard Drawer Receptacle Housings](#)



Connector Product Type: **Housing**

Connector & Housing Type: **Receptacle**

Connector System: **Wire-to-Board, Wire-to-Wire**

Number of Positions: **16**

Centerline (Pitch): **5 mm [.197 in]**

[All Standard Drawer Receptacle Housings \(12\)](#)

Features

Product Type Features

Connector Product Type	Housing
Connector & Housing Type	Receptacle
Connector System	Wire-to-Board, Wire-to-Wire
Sealable	No
Connector & Contact Terminates To	Wire & Cable

Configuration Features

Number of Signal Positions	4
Number of Positions	16
Number of Rows	2

Electrical Characteristics

Termination Resistance	16 mΩ
Operating Voltage	250 V

Body Features

Drawer Style	Miniature Power
Primary Product Color	Blue



Contact Features

Contact Current Rating (Max)	15 A
------------------------------	------

Termination Features

Termination Method to Wire & Cable	Crimp
------------------------------------	-------

Mechanical Attachment

PCB Mount Retention	Without
Mating Retention	With
Connector Mounting Type	Cable Mount (Free-Hanging)

Housing Features

Housing Material	PBT GF
Centerline (Pitch)	5 mm [.197 in]

Dimensions

Connector Length	71.2 mm [2.8 in]
Connector Height	26.3 mm [1.035 in]
Connector Width	25 mm
	2.8 in
Wire Size	.22 – 2.18 mm ²
Row-to-Row Spacing	4 mm [.16 in]

Usage Conditions

Operating Temperature Range	-20 – 120 °C [-4 – 248 °F]
-----------------------------	----------------------------

Operation/Application

Circuit Application	Power & Signal
---------------------	----------------

Industry Standards

UL Flammability Rating	UL 94V-0
------------------------	----------

Packaging Features

Packaging Method	Box & Carton
------------------	--------------

Other

Discrete Wire Connector Comment	Mating Hsg - 172059- Contacts - 170311, 170312, 170484, 170313, 170314, 170497
---------------------------------	--

Product Compliance

[For compliance documentation, visit the product page on TE.com>](#)



EU RoHS Directive 2011/65/EU	Compliant with Exemptions
EU ELV Directive 2000/53/EC	Out of Scope
China RoHS 2 Directive MIIT Order No 32, 2016	Restricted Materials Above Threshold
EU REACH Regulation (EC) No. 1907/2006	Current ECHA Candidate List: JUNE 2023 (235) Candidate List Declared Against: JUNE 2022 (224) SVHC > Threshold: Pb (3.7% in Component part) Article Safe Usage Statements: Do not eat, drink or smoke when using this product. Wash thoroughly after handling. Recycle if possible and dispose of the article by following all applicable governmental regulations relevant to your geographic location.
Halogen Content	Not Low Halogen - contains Br or Cl > 900 ppm.
Solder Process Capability	Not applicable for solder process capability

Product Compliance Disclaimer

This information is provided based on reasonable inquiry of our suppliers and represents our current actual knowledge based on the information they provided. This information is subject to change. The part numbers that TE has identified as EU RoHS compliant have a maximum concentration of 0.1% by weight in homogenous materials for lead, hexavalent chromium, mercury, PBB, PBDE, DBP, BBP, DEHP, DIBP, and 0.01% for cadmium, or qualify for an exemption to these limits as defined in the Annexes of Directive 2011/65/EU (RoHS2). Finished electrical and electronic equipment products will be CE marked as required by Directive 2011/65/EU. Components may not be CE marked. Additionally, the part numbers that TE has identified as EU ELV compliant have a maximum concentration of 0.1% by weight in homogenous materials for lead, hexavalent chromium, and mercury, and 0.01% for cadmium, or qualify for an exemption to these limits as defined in the Annexes of Directive 2000/53/EC (ELV). Regarding the REACH Regulation, the information TE provides on SVHC in articles for this part number is based on the latest European Chemicals Agency (ECHA) 'Guidance on requirements for substances in articles' posted at this URL: <https://echa.europa.eu/guidance-documents/guidance-on-reach>

Compatible Parts



Also in the Series | [Standard Drawer](#)



Wire-to-Board Connector Assemblies
& Housings(20)

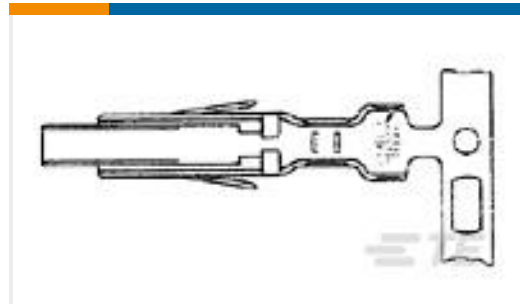
Customers Also Bought



TE Part #5172625-3
DRAWER CONN. FEMALE ASSY 24P



TE Part #34141
PG R 22-16 COMM 22-18 MIL 4



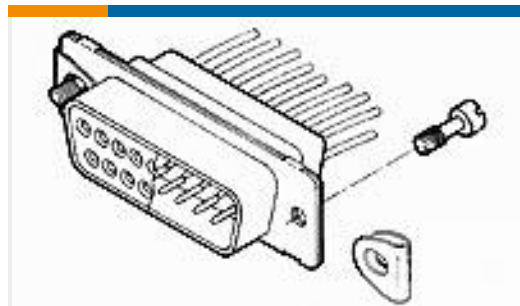
TE Part #170313-1
DRAWER CONN.CONTACT



TE Part #206794-4
PIN CONTACT, SZ 20



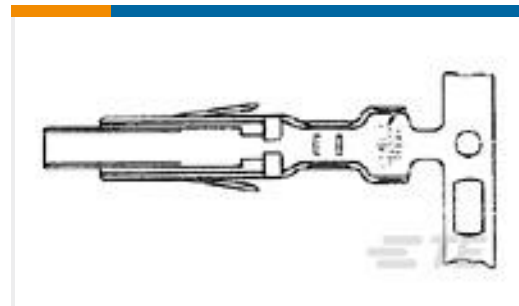
TE Part #171506-1
PIDG RING (22-18)



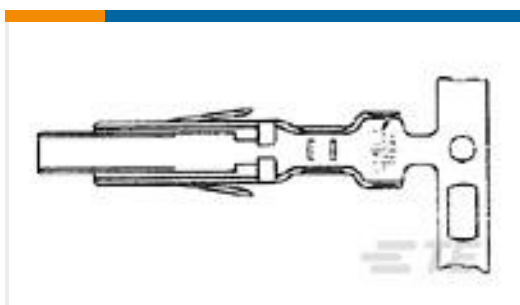
TE Part #748274-2
SCREW RETAINER CLIP,AMPLITE



TE Part #350509-1
RING 22-16 AWG BR



TE Part #170311-1
CONTACT FOR DRAWER CONN



TE Part #170484-1
CONTACT FOR DRAWER
CONNECTOR



TE Part #61624-1
RING CRIMP 16-12 AWG BR

Documents

Product Drawings

[DRAWER CONN FEMALE ASSY16P](#)

English

CAD Files

[3D PDF](#)

English

Customer View Model

[ENG_CVM_5172068-3_A.2d_dxf.zip](#)



English

Customer View Model

[ENG_CVM_5172068-3_A.3d_igs.zip](#)

English

Customer View Model

[ENG_CVM_5172068-3_A.3d_stp.zip](#)

English

By downloading the CAD file I accept and agree to the [Terms and Conditions](#) of use.

Datasheets & Catalog Pages

[POWER_CONNECTORS_CATALOG_SEC02_CABLE_MOUNTED](#)

English

[Low Power Drawer Connectors QRG](#)

English

Product Specifications

[Crimping Drawer Connector Contacts](#)

English

[Application Specification](#)

English

Agency Approvals

[UL](#)

English