

5145323-1 ✓ ACTIVE



Smart Card

TE Internal #: 5145323-1

Smart Card Connectors, Contact Module, 8 Position, .1 in [2.54 mm]

Centerline, Board Mount, -40 – 194 °F [-40 – 90 °C]

[View on TE.com >](#)

Connectors > PCB Connectors > Memory Card Connectors > Smart Card Connectors



Smart Card Connector Product Type: **Contact Module**

Number of Positions: **8**

Pre-Installed Wire & Cable: **Without**

Centerline (Pitch): **2.54 mm [.1 in]**

Connector & Contact Terminates To: **Printed Circuit Board**

Features

Product Type Features

Compatible Card	Smart Card
Smart Card Connector Product Type	Contact Module
Connector & Contact Terminates To	Printed Circuit Board

Configuration Features

Cover	With
Card Detection Switch	With
Operating Function	NO
Number of Signal Positions	8
Number of Positions	8
Pre-Installed Wire & Cable	Without

Body Features

Primary Product Color	Black
-----------------------	-------

Contact Features

	30 µin
Contact Mating Area Plating Material	Gold
Contact Underplating Material	Nickel
PCB Contact Termination Area Plating Material	Tin
Contact Base Material	Phosphor Bronze
Contact Current Rating (Max)	.2 A



Termination Features

Termination Method to Printed Circuit Board	Surface Mount
---	---------------

Mechanical Attachment

Mating Alignment	Without
Connector Mounting Type	Board Mount

Housing Features

Housing Material	High Temperature Thermoplastic
Centerline (Pitch)	2.54 mm [.1 in]

Dimensions

Accepts Card Thickness	.76 mm [.03 in]
Profile Height from PCB	1.5 mm, 1.55 mm [.059 in]

Usage Conditions

Operating Temperature Range	-40 – 90 °C [-40 – 194 °F]
-----------------------------	----------------------------

Operation/Application

Durability Rating	50000 Cycles
Circuit Application	Signal

Packaging Features

Packaging Quantity	750
Packaging Method	Carton

Product Compliance

[For compliance documentation, visit the product page on TE.com>](#)


EU RoHS Directive 2011/65/EU	Compliant
EU ELV Directive 2000/53/EC	Compliant
China RoHS 2 Directive MIIT Order No 32, 2016	No Restricted Materials Above Threshold
EU REACH Regulation (EC) No. 1907/2006	Current ECHA Candidate List: JUNE 2023 (235) Candidate List Declared Against: JUNE 2023 (235) Does not contain REACH SVHC
Halogen Content	Low Halogen - Br, Cl, F, I < 900 ppm per homogenous material. Also BFR/CFR/PVC Free
Solder Process Capability	Reflow solder capable to 260°C



Product Compliance Disclaimer

This information is provided based on reasonable inquiry of our suppliers and represents our current actual knowledge based on the information they provided. This information is subject to change. The part numbers that TE has identified as EU RoHS compliant have a maximum concentration of 0.1% by weight in homogenous materials for lead, hexavalent chromium, mercury, PBB, PBDE, DBP, BBP, DEHP, DIBP, and 0.01% for cadmium, or qualify for an exemption to these limits as defined in the Annexes of Directive 2011/65/EU (RoHS2). Finished electrical and electronic equipment products will be CE marked as required by Directive 2011/65/EU. Components may not be CE marked. Additionally, the part numbers that TE has identified as EU ELV compliant have a maximum concentration of 0.1% by weight in homogenous materials for lead, hexavalent chromium, and mercury, and 0.01% for cadmium, or qualify for an exemption to these limits as defined in the Annexes of Directive 2000/53/EC (ELV). Regarding the REACH Regulation, the information TE provides on SVHC in articles for this part number is based on the latest European Chemicals Agency (ECHA) 'Guidance on requirements for substances in articles' posted at this URL: <https://echa.europa.eu/guidance-documents/guidance-on-reach>

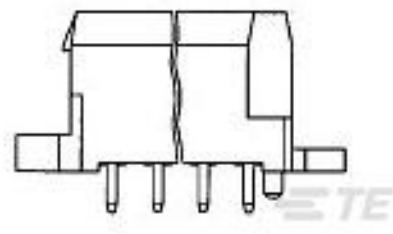
Compatible Parts



With Normally Open Card Detection Switch

TE Part # 5145323-2
SMT CARD CONN LOW PROFILE
8POS

Customers Also Bought



TE Part #963357-6
2X 2P MESSERLEISTE



TE Part #2-2176057-7
RLP73K 3A R12 1% 1K RL



TE Part #5406721-3
MJ,RJ45,SMT,BLACK,22" REEL



TE Part #6-103166-1
26 MODII HDR DRRR SHRD LF



TE Part #6-2176088-4
RP 1J 0.166W 4K02 0.1% 25PPM 1K RL



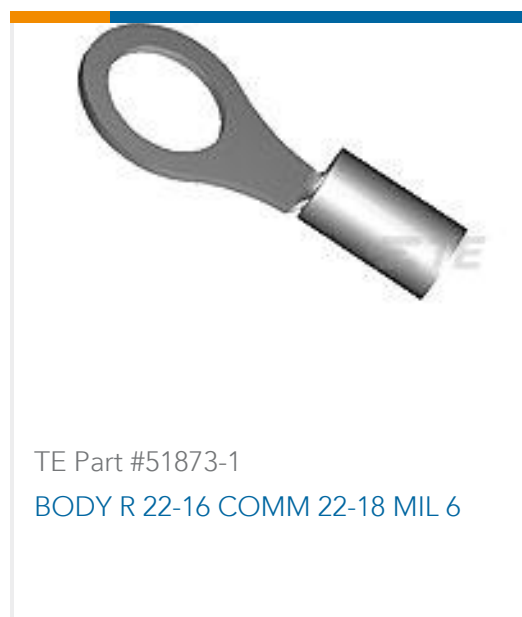
TE Part #8-1879160-1
RN 0805 8R25 0.1% 10PPM 1K RL



TE Part #1-2176158-7
TLM 2512 1.0W R013 1% 100PPM 4K RL



TE Part #1744446-3
Hdr Assy, EP 2.5 RA, 3 Pos., GW



Documents

Product Drawings

[SMT CARD CONN LOW PROFILE 8POS](#)

English

CAD Files

[3D PDF](#)

3D

Customer View Model

[ENG_CVM_CVM_5145323-1_O.2d_dxf.zip](#)

English

Customer View Model

[ENG_CVM_CVM_5145323-1_O.3d_igs.zip](#)

English

Customer View Model

[ENG_CVM_CVM_5145323-1_O.3d_stp.zip](#)

English

By downloading the CAD file I accept and agree to the [Terms and Conditions](#) of use.

Product Specifications

[Application Specification](#)

English