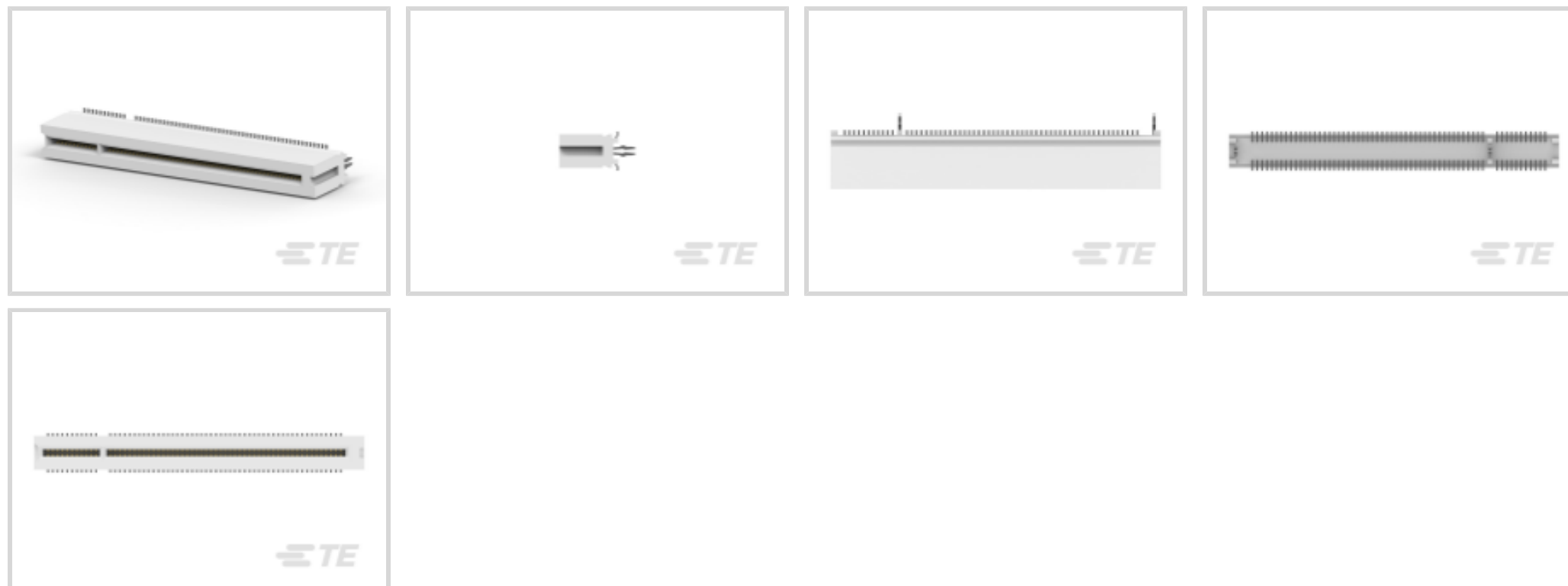




Connectors > PCB Connectors > Card Edge Connectors > PCI & PCI Express Connectors



Connector System: **Board-to-Board**

Number of Positions: **120**

Centerline (Pitch): **1.27 mm [ .05 in ]**

Contact Mating Area Plating Material Thickness: **[ 30 µin ]**

PCB Mount Orientation: **Vertical**

## Features

### Product Type Features

Connector System	Board-to-Board
Connector & Contact Terminates To	Printed Circuit Board

### Configuration Features

Number of PCB Mount Retention Features	2
Number of Positions	120
PCB Mount Orientation	Vertical
Ejector	Without

### Electrical Characteristics

Operating Voltage	203 VAC
-------------------	---------

### Body Features

PCB Retention Feature Material	Brass
PCB Retention Feature Plating Material	Tin
Product Weight	14.353 g
Primary Product Color	Natural

### Contact Features



PCB Contact Termination Area Plating Material Thickness	2.54 $\mu$ m
Contact Mating Area Plating Material	Gold
Contact Underplating Material	Nickel
PCB Contact Termination Area Plating Material	Tin
Contact Base Material	Phosphor Bronze
	30 $\mu$ in

### Termination Features

Termination Method to Printed Circuit Board	Surface Mount
---	---------------

### Mechanical Attachment

PCB Mount Retention Type	Hold-Down Post
Connector Mounting Type	Board Mount

### Housing Features

Housing Material	High Temperature Thermoplastic
Centerline (Pitch)	1.27 mm[.05 in]

### Dimensions

Connector Length	3.44 mm[.135 in]
PCB Thickness (Accepted)	.62 mm[.024 in]
Connector Height	15.49 mm[.61 in]
Connector Width	.35 mm[.014 in]

### Usage Conditions

Operating Temperature Range	-55 – 85 °C[-67 – 185 °F]
-----------------------------	---------------------------

### Operation/Application

Circuit Application	Signal
---------------------	--------

### Industry Standards

Bus Type	PCI
----------	-----

### Packaging Features

Packaging Quantity	32
Packaging Method	Box & Carton

### Product Compliance

[For compliance documentation, visit the product page on TE.com>](#)



EU RoHS Directive 2011/65/EU	Compliant
EU ELV Directive 2000/53/EC	Compliant
China RoHS 2 Directive MIIT Order No 32, 2016	No Restricted Materials Above Threshold
EU REACH Regulation (EC) No. 1907/2006	Current ECHA Candidate List: JUNE 2023 (235) Candidate List Declared Against: JUNE 2023 (235) Does not contain REACH SVHC
Halogen Content	Not Low Halogen - contains Br or Cl > 900 ppm.
Solder Process Capability	Reflow solder capable to 245°C

Product Compliance Disclaimer

This information is provided based on reasonable inquiry of our suppliers and represents our current actual knowledge based on the information they provided. This information is subject to change. The part numbers that TE has identified as EU RoHS compliant have a maximum concentration of 0.1% by weight in homogenous materials for lead, hexavalent chromium, mercury, PBB, PBDE, DBP, BBP, DEHP, DIBP, and 0.01% for cadmium, or qualify for an exemption to these limits as defined in the Annexes of Directive 2011/65/EU (RoHS2). Finished electrical and electronic equipment products will be CE marked as required by Directive 2011/65/EU. Components may not be CE marked. Additionally, the part numbers that TE has identified as EU ELV compliant have a maximum concentration of 0.1% by weight in homogenous materials for lead, hexavalent chromium, and mercury, and 0.01% for cadmium, or qualify for an exemption to these limits as defined in the Annexes of Directive 2000/53/EC (ELV). Regarding the REACH Regulation, the information TE provides on SVHC in articles for this part number is based on the latest European Chemicals Agency (ECHA) 'Guidance on requirements for substances in articles' posted at this URL: <https://echa.europa.eu/guidance-documents/guidance-on-reach>

### Compatible Parts




TE Part # 1761842-1  
CONNECTOR ASSY, 60 DUAL POSITI



TE Part # 5-2337939-4  
PCIE GEN4 CON,SMT,164POS,30u",  
MYLAR,HT



TE Part # 1734774-1  
PCI EXP 3.1L 36 POS WHT G/F



TE Part # 5145098-2  
CONNECTOR ASSEMBLY, DUAL  
POSIT

### Customers Also Bought



TE Part #5747836-4  
09 MSFL RCPT RA 590 (IN,FM,BL)



TE Part #2-644486-9  
09P MTA100 SHRDED HDR ASSY SN



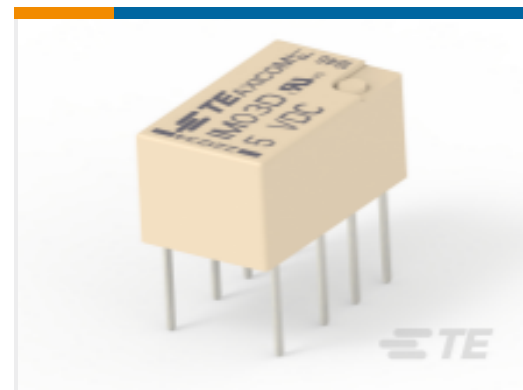
TE Part #5104338-3  
A/L LOW PRO HDR 16P VERT HT



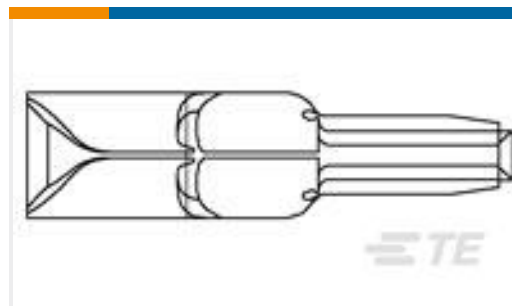
TE Part #1761842-1  
CONNECTOR ASSY, 60 DUAL POSITI



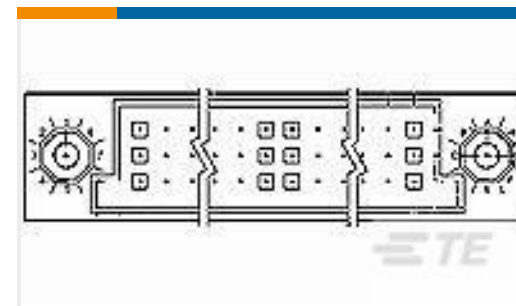
TE Part #1-5145154-2  
CONNECTOR, 60 DUAL POSITION, .



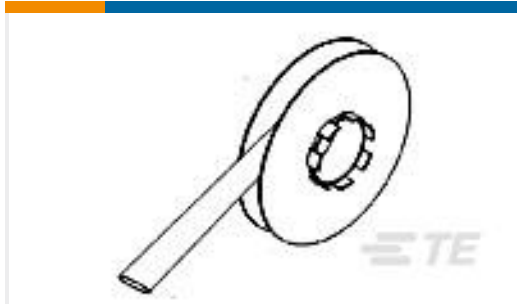
TE Part #8-1462039-3  
IM03DTS=IM RELAY 140mW 5V



TE Part #1742254-2  
AMP BARREL TERMINAL 22-28 AWG  
TNIPPHBZ



TE Part #1-532447-2  
HDI PIN ASSY 3 ROW 225 POS



TE Part #294869-000  
TMS-9.5-4

## Documents

### Product Drawings

#### CONNECTOR ASSEMBLY, DUAL POSIT

English

### CAD Files

#### 3D PDF

English

#### Customer View Model

[ENG\\_CVM\\_5145098-1\\_O.2d\\_dxf.zip](#)

English

#### Customer View Model

[ENG\\_CVM\\_5145098-1\\_O.3d\\_igs.zip](#)

English

#### Customer View Model

[ENG\\_CVM\\_5145098-1\\_O.3d\\_stp.zip](#)

English

By downloading the CAD file I accept and agree to the [Terms and Conditions](#) of use.

### Product Specifications

#### Application Specification

English