

51421-2 ✓ ACTIVE

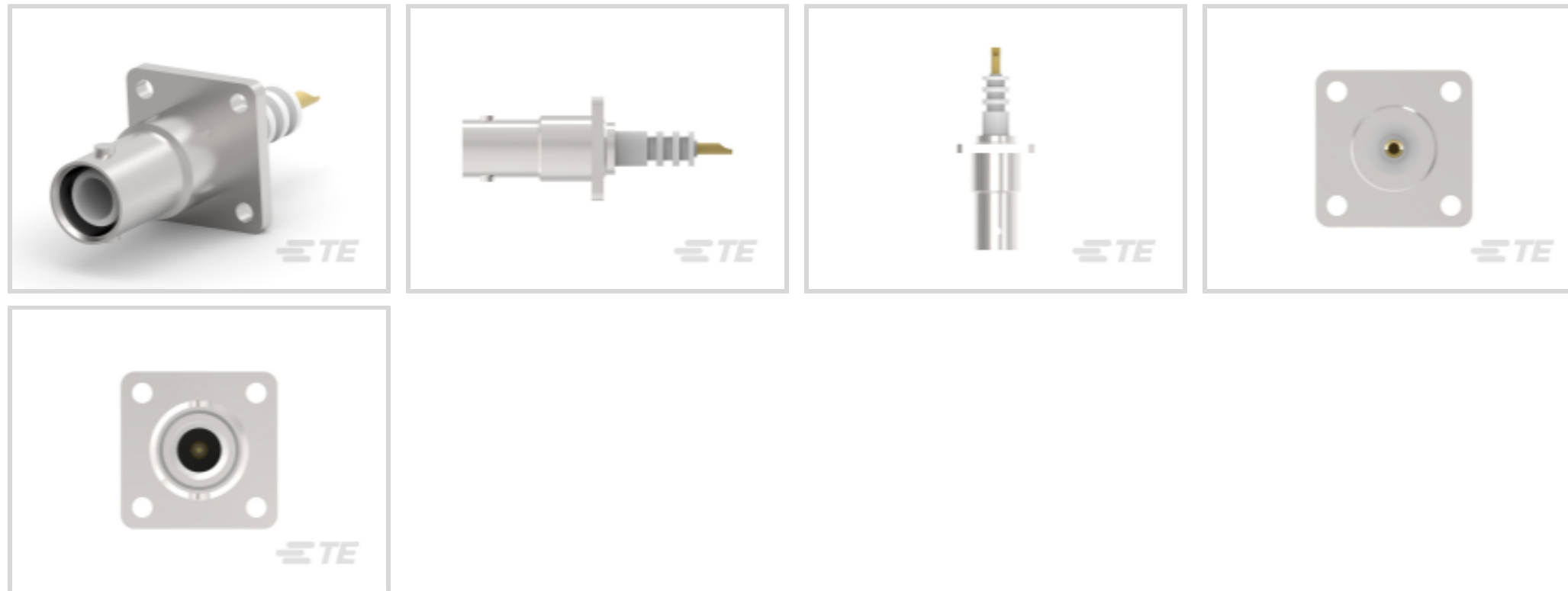
TE Internal #: 51421-2

SHV RF Interface, Jack, Threaded, Cable-to-Board, 1 Position, Wire & Cable, Panel Mount, -65 – 200 °C [-85 – 392 °F], Solder, Straight, Brass, Nickel

[View on TE.com >](#)



Connectors > RF Connectors > Coax Connectors



RF Interface: **SHV**

RF Connector Style: **Jack**

RF Connector Mated Outer Diameter (Approximate): **11.07 mm [.436 in]**

RF Connector Coupling Mechanism: **Threaded**

Connector System: **Cable-to-Board**

Features

Product Type Features

RF Interface	SHV
RF Connector Style	Jack
Connector System	Cable-to-Board
Sealable	No
Connector & Contact Terminates To	Wire & Cable

Configuration Features

Number of Positions	1
Number of Coaxial Contacts	1

Body Features

Cable Connector Orientation	Straight
Body Material	Brass
Body Plating Material	Nickel

Contact Features

RF Connector Center Contact Underplating Material	Nickel
---	--------



RF Connector Center Contact Plating Material	Gold
--	------

RF Connector Center Contact Material	Brass
--------------------------------------	-------

Termination Features

Termination Method to Wire & Cable	Solder
------------------------------------	--------

Mechanical Attachment

Panel Mount Feature Type	Flange
--------------------------	--------

RF Connector Coupling Mechanism	Threaded
---------------------------------	----------

Connector Mounting Type	Panel Mount
-------------------------	-------------

RF Contact Captivation Method	Mechanical
-------------------------------	------------

Detent	With
--------	------

Dimensions

RF Connector Mated Outer Diameter (Approximate)	11.07 mm[.436 in]
---	-------------------

Usage Conditions

Operating Temperature Range	-65 – 200 °C[-85 – 392 °F]
-----------------------------	----------------------------

Packaging Features

Packaging Method	Carton
------------------	--------

Other

Dielectric Material	PTFE
---------------------	------

Product Compliance

[For compliance documentation, visit the product page on TE.com>](#)

EU RoHS Directive 2011/65/EU	Compliant with Exemptions
------------------------------	---------------------------

EU ELV Directive 2000/53/EC	Compliant with Exemptions
-----------------------------	---------------------------

China RoHS 2 Directive MIIT Order No 32, 2016	Restricted Materials Above Threshold
---	--------------------------------------

EU REACH Regulation (EC) No. 1907/2006	<p>Current ECHA Candidate List: JUNE 2023 (235) Candidate List Declared Against: JUL 2021 (219) SVHC > Threshold: Pb (3.7% in Component Part)</p>
--	---

Article Safe Usage Statements:

Do not eat, drink or smoke when using this product. Wash thoroughly after handling. Recycle if possible and dispose of the article by following all applicable governmental regulations relevant to your geographic location.

Halogen Content	Low Bromine/Chlorine - Br and Cl < 900 ppm per homogenous material. Also BFR /CFR/PVC Free
-----------------	--

Solder Process Capability

Not applicable for solder process capability

Product Compliance Disclaimer

This information is provided based on reasonable inquiry of our suppliers and represents our current actual knowledge based on the information they provided. This information is subject to change. The part numbers that TE has identified as EU RoHS compliant have a maximum concentration of 0.1% by weight in homogenous materials for lead, hexavalent chromium, mercury, PBB, PBDE, DBP, BBP, DEHP, DIBP, and 0.01% for cadmium, or qualify for an exemption to these limits as defined in the Annexes of Directive 2011/65/EU (RoHS2). Finished electrical and electronic equipment products will be CE marked as required by Directive 2011/65/EU. Components may not be CE marked. Additionally, the part numbers that TE has identified as EU ELV compliant have a maximum concentration of 0.1% by weight in homogenous materials for lead, hexavalent chromium, and mercury, and 0.01% for cadmium, or qualify for an exemption to these limits as defined in the Annexes of Directive 2000/53/EC (ELV). Regarding the REACH Regulation, the information TE provides on SVHC in articles for this part number is based on the latest European Chemicals Agency (ECHA) 'Guidance on requirements for substances in articles' posted at this URL: <https://echa.europa.eu/guidance-documents/guidance-on-reach>

Compatible Parts



TE Part # 5051426-4
SAFE HIGH VOLTAGE PLUG



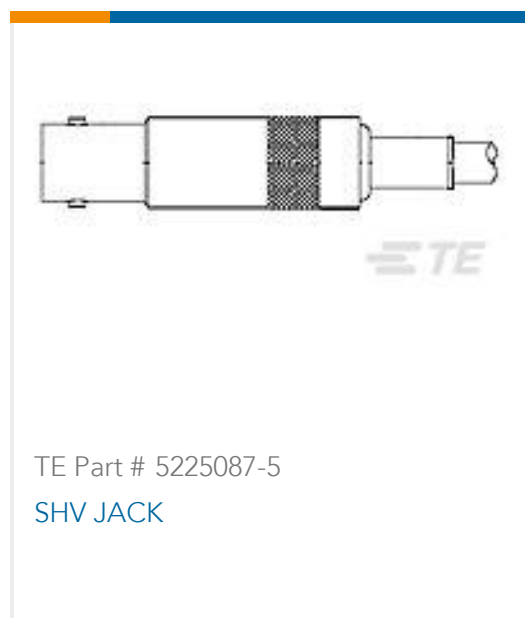
TE Part # 5051426-2
SAFE HIGH VOLTAGE PLUG



TE Part # 5051426-5
SAFE HIGH VOLTAGE PLUG



TE Part # 51426-2
SAFE HIGH VOLTAGE PLUG



TE Part # 5225087-5
SHV JACK

Customers Also Bought



TE Part #208487-1
CMC RECEPTACLE ASSY, SIZE 22



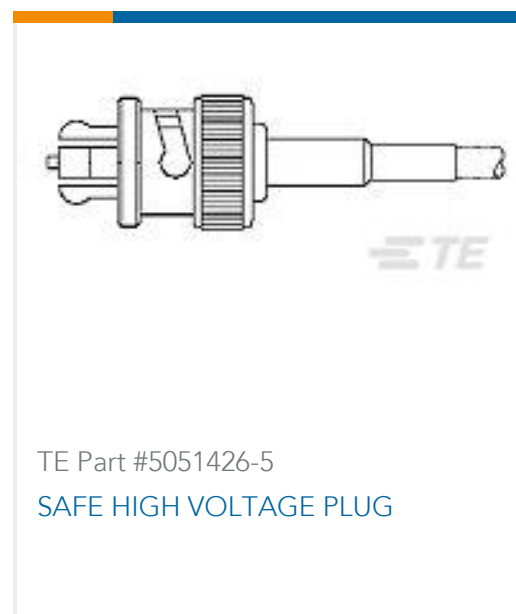
TE Part #66109-4
III+ SKT, 26-24, 30AU/FL, LP



TE Part #1-66358-9
III+ SKT, 18-14, 30AU/FL, STRIP



TE Part #2-36157-2
PIDG Ring Tongue Terminals



Documents

Product Drawings

SHV PANEL RECPT

English

CAD Files

3D PDF

English

Customer View Model

[ENG_CVM_51421-2_K.2d_dxf.zip](#)

English

Customer View Model

[ENG_CVM_51421-2_K.3d_igs.zip](#)

English

Customer View Model

[ENG_CVM_51421-2_K.3d_stp.zip](#)

English

By downloading the CAD file I accept and agree to the [Terms and Conditions](#) of use.

Product Specifications

Coaxial High Voltage Connectors

English

Application Specification

English

Product Environmental Compliance

TE Material Declaration

English

51421-2

SHV RF Interface, Jack, Threaded, Cable-to-Board, 1 Position, Wire & Cable, Panel Mount, -65 – 200 °C [-85 – 392 °F], Solder, Straight, Brass, Nickel

