

5104340-1 ✓ ACTIVE

AMP-LATCH

TE Internal #: 5104340-1

Ribbon Cable Connectors, Wire-to-Board, 10 Position, 2.54 mm [.1 in] Centerline, Right Angle, Through Hole - Solder, 2 Row, Plug, Low Profile

[View on TE.com >](#)



Connectors > PCB Connectors > Wire-to-Board Connectors > FFC, FPC & Ribbon Connectors > Ribbon Cable Connectors



Connector System: **Wire-to-Board**

Number of Positions: **10**

Centerline (Pitch): **2.54 mm [.1 in]**

PCB Mount Retention: **With**

PCB Mount Retention Type: **Hold-Down Post**

Features

Product Type Features

Ribbon Cable Connector Header Type	Pin Header
Connector Product Type	Connector Assembly
Connector System	Wire-to-Board
Connector & Housing Type	Plug
Connector & Contact Terminates To	Printed Circuit Board

Configuration Features

Number of Positions	10
PCB Mount Orientation	Right Angle
Number of Rows	2

Electrical Characteristics

Insulation Resistance	5000 MΩ
Operating Voltage	250 VAC

Body Features

Daisy Chain	With
Primary Product Color	Black
Connector Profile	Low

Contact Features

Mating Square Post Dimension	.64 mm[.025 in]
------------------------------	-----------------



PCB Contact Termination Area Plating Material Thickness	2.54 μm [100 μin]
Contact Type	Pin
	15 μin
Contact Mating Area Plating Material	Gold, Gold Flash over Palladium Nickel
Contact Shape & Form	Square
Contact Underplating Material	Nickel
PCB Contact Termination Area Plating Material	Tin
Contact Base Material	Phosphor Bronze
Contact Current Rating (Max)	1 A

Termination Features

Square Termination Post & Tail Dimension	.64 mm[.025 in]
Termination Post & Tail Length	3.18 mm[.125 in]
Termination Method to Printed Circuit Board	Through Hole - Solder

Mechanical Attachment

Mating Alignment	With
PCB Mount Alignment	Without
Panel Mount Feature	Without
PCB Mount Retention	With
PCB Mount Retention Type	Hold-Down Post
Mating Alignment Type	Center, Dual Polarizing Bar
Mating Retention	Without
Connector Mounting Type	Board Mount

Housing Features

Housing Material	Glass Filled PPA
Centerline (Pitch)	2.54 mm[.1 in]

Dimensions

Shrouded End Dimension	3.81 mm[.15 in]
Connector Length	20.32 mm[.8 in]
Connector Height	8.81 mm[.347 in]
Row-to-Row Spacing	2.54 mm[.1 in]

Usage Conditions

Housing Temperature Rating	High
----------------------------	------



Operating Temperature Range	-65 – 105 °C[-85 – 221 °F]
-----------------------------	----------------------------

Operation/Application

Solder Process Feature	Board Standoff
Circuit Application	Signal

Industry Standards

UL Flammability Rating	UL 94V-0
------------------------	----------

Packaging Features

Packaging Quantity	125
Packaging Method	Tube

Other

Wire-to-Board Connector Comment	Mates with Receptacles
---------------------------------	------------------------

Product Compliance

[For compliance documentation, visit the product page on TE.com>](#)

EU RoHS Directive 2011/65/EU	Compliant
EU ELV Directive 2000/53/EC	Compliant
China RoHS 2 Directive MIIT Order No 32, 2016	No Restricted Materials Above Threshold
EU REACH Regulation (EC) No. 1907/2006	Current ECHA Candidate List: JUNE 2023 (235) Candidate List Declared Against: JUNE 2023 (235) Does not contain REACH SVHC
Halogen Content	Not Low Halogen - contains Br or Cl > 900 ppm.
Solder Process Capability	Wave solder capable to 265°C

Product Compliance Disclaimer

This information is provided based on reasonable inquiry of our suppliers and represents our current actual knowledge based on the information they provided. This information is subject to change. The part numbers that TE has identified as EU RoHS compliant have a maximum concentration of 0.1% by weight in homogenous materials for lead, hexavalent chromium, mercury, PBB, PBDE, DBP, BBP, DEHP, DIBP, and 0.01% for cadmium, or qualify for an exemption to these limits as defined in the Annexes of Directive 2011/65/EU (RoHS2). Finished electrical and electronic equipment products will be CE marked as required by Directive 2011/65/EU. Components may not be CE marked. Additionally, the part numbers that TE has identified as EU ELV compliant have a maximum concentration of 0.1% by weight in homogenous materials for lead, hexavalent chromium, and mercury, and 0.01% for cadmium, or qualify for an exemption to these limits as defined in the Annexes of Directive 2000/53/EC (ELV). Regarding the REACH Regulation, the information TE provides on SVHC in articles for this part number is based on the latest European Chemicals Agency (ECHA) 'Guidance on requirements for substances in articles' posted at this URL: <https://echa.europa.eu/guidance-documents/guidance-on-reach>

Compatible Parts



TE Part # 499252-5
010 STRAIN RELIEF A-L RCPT



TE Part # 1658621-1
10 NOVO MIL/CTR 15DP, LEAD FREE



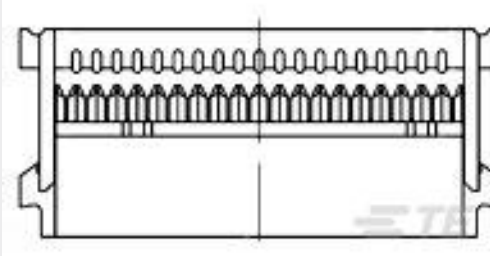
TE Part # 1658526-4
609-1030LF FEM SOCKET, LEAD FREE



TE Part # 1658527-4
622-1041LF FEM SOCKET, LEAD FREE



TE Part # 1658527-3
622-1030LF FEM SOCKET, LEAD FREE



TE Part # 1658526-5
609-1041LF FEM SOCKET, LEAD FREE



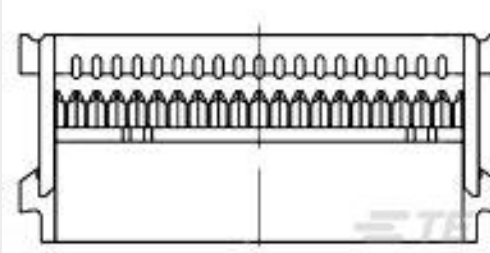
TE Part # 1658622-1
10 NOVO MIL/CTR 30DP, LEAD FREE



TE Part # 1658623-1
10 NOVO MIL 30DP, LEAD FREE



TE Part # 1-1658528-1
636-1030LF=FEM SKT BLADE POL 1



TE Part # 1658526-3
609-1000MLF FEM SCKT, LEAD FREE



TE Part # 1658528-2
636-1041LF FEM SOCKET, LEAD FREE



TE Part # 3-1437020-7
609-1031HD=FSKT IDC S 10 SR



TE Part # 1658620-1
10 NOVO MIL 15DP, LEAD FREE



TE Part # 1658624-1
10 NOVO DUAL 30DP, LEAD FREE

Customers Also Bought



TE Part #5103311-3
A/L LOW PRO HDR 16P RA BLACK



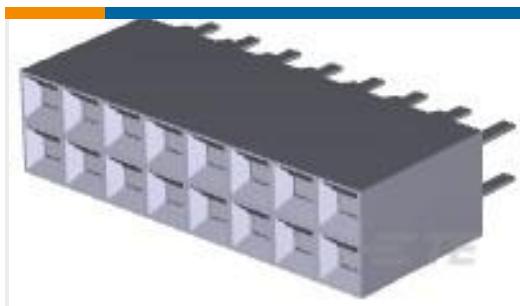
TE Part #4-794630-2
12P MICRO MNL ASSY,VRT,HDR,LF



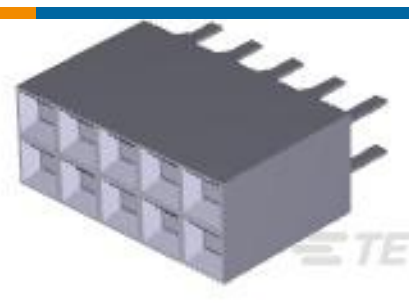
TE Part #1571999-1
ADP0204=PIANO DIP SWITCH



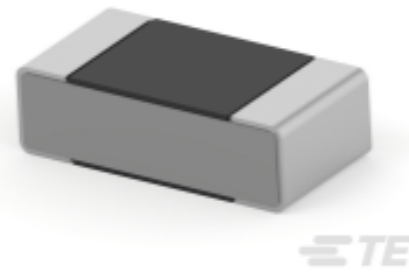
TE Part #1-770969-0
06P MINI UMNL R/A HDR ASSY SN



TE Part #5-534998-8
16 MODIV VRT DR CE 100/125



TE Part #534998-5
10 MODIV VRT DR CE 100/125



TE Part #2-1879130-4
RN 0402 3K16 0.1% 10PPM 5K RL



TE Part #6116000-1
STK MJ,2X6,SHLD,PNL GND,CAT5



TE Part #1-825437-0
MOD 2 PINHDR 1X10P.

Documents

Product Drawings

[A/L LOW PRO HDR 10P RA HT](#)

English

CAD Files

[3D PDF](#)

English

Customer View Model

[ENG_CVM_5104340-1_B.2d_dxf.zip](#)

English

Customer View Model

[ENG_CVM_5104340-1_B.3d_igs.zip](#)

English

Customer View Model

[ENG_CVM_5104340-1_B.3d_stp.zip](#)

English

By downloading the CAD file I accept and agree to the [Terms and Conditions](#) of use.

Datasheets & Catalog Pages

[AMPMODU_INTERCONNECTION_SYSTEM_SECTION5](#)

English

[Ribbon Cable Interconnect Solutions](#)

English

Product Specifications

[Product Specification](#)

English



Product Environmental Compliance

A/L LOW PRO HDR 10P RA HT

English

A/L LOW PRO HDR 10P RA HT

English