

5051426-4 ✓ ACTIVE

TE Internal #: 5051426-4

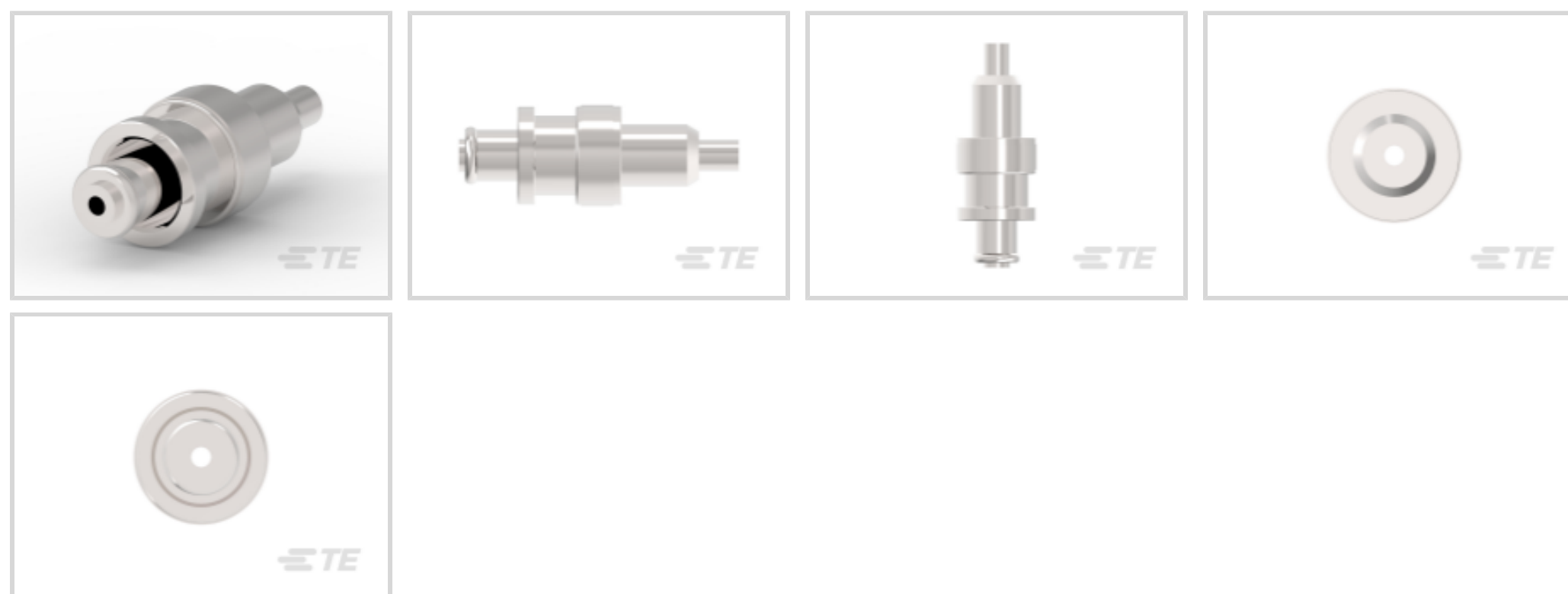
SHV RF Interface, Plug, RG 58B / RG 58A / RG 58C, Bayonet, .3 GHz

Operating Frequency, Cable-to-Board, 1 Position, Sealable, Wire & Cable

[View on TE.com >](#)



Connectors > RF Connectors > Coax Connectors



RF Interface: **SHV**

RF Connector Style: **Plug**

RF Connector Mated Outer Diameter (Approximate): **14.43 mm [ .568 in ]**

Compatible With RF Cable Type: **RG 58, RG 58A, RG 58B, RG 58C**

RF Connector Coupling Mechanism: **Bayonet**

## Features

### Product Type Features

Connector Seal & Plug Type	Gasket
RF Interface	SHV
RF Connector Style	Plug
Compatible With RF Cable Type	RG 58, RG 58A, RG 58B, RG 58C
Connector System	Cable-to-Board
Sealable	Yes
Connector & Contact Terminates To	Wire & Cable

### Configuration Features

Number of Positions	1
Number of Coaxial Contacts	1

### Body Features

Cable Connector Orientation	Straight
Body Material	Brass
Body Material Finish	Bright



Body Plating Material	Nickel
-----------------------	--------

### Contact Features

RF Connector Center Contact Underplating Material	Nickel
Crimp Type	Dual
RF Connector Center Contact Plating Material	Gold
RF Connector Center Contact Material	Beryllium Copper

### Termination Features

Termination Method to Wire & Cable	Crimp
------------------------------------	-------

### Mechanical Attachment

RF Connector Coupling Mechanism	Bayonet
Connector Mounting Type	Cable Mount (Free-Hanging)
RF Contact Captivation Method	Mechanical
Detent	With

### Dimensions

RF Connector Mated Outer Diameter (Approximate)	14.43 mm [.568 in]
---	--------------------

### Usage Conditions

Operating Temperature Range	-55 – 155 °C [-67 – 311 °F]
-----------------------------	-----------------------------

### Operation/Application

Operating Frequency	.3 GHz
---------------------	--------

### Packaging Features

Packaging Method	Carton
------------------	--------

### Other

Dielectric Material	PTFE
---------------------	------

### Product Compliance

[For compliance documentation, visit the product page on TE.com>](#)

EU RoHS Directive 2011/65/EU	Compliant with Exemptions
EU ELV Directive 2000/53/EC	Compliant with Exemptions
China RoHS 2 Directive MIIT Order No 32, 2016	Restricted Materials Above Threshold
EU REACH Regulation (EC) No. 1907/2006	Current ECHA Candidate List: JUNE 2023 (235) Candidate List Declared Against: JUNE 2023 (235)



SVHC > Threshold:

Pb (3.7% in Component Part)

**Article Safe Usage Statements:**

Do not eat, drink or smoke when using this product. Wash thoroughly after handling. Recycle if possible and dispose of the article by following all applicable governmental regulations relevant to your geographic location.

Halogen Content

BFR/CFR/PVC Free, but Br/Cl >900 ppm in other sources.

Solder Process Capability

Not applicable for solder process capability

**Product Compliance Disclaimer**

This information is provided based on reasonable inquiry of our suppliers and represents our current actual knowledge based on the information they provided. This information is subject to change. The part numbers that TE has identified as EU RoHS compliant have a maximum concentration of 0.1% by weight in homogenous materials for lead, hexavalent chromium, mercury, PBB, PBDE, DBP, BBP, DEHP, DIBP, and 0.01% for cadmium, or qualify for an exemption to these limits as defined in the Annexes of Directive 2011/65/EU (RoHS2). Finished electrical and electronic equipment products will be CE marked as required by Directive 2011/65/EU. Components may not be CE marked. Additionally, the part numbers that TE has identified as EU ELV compliant have a maximum concentration of 0.1% by weight in homogenous materials for lead, hexavalent chromium, and mercury, and 0.01% for cadmium, or qualify for an exemption to these limits as defined in the Annexes of Directive 2000/53/EC (ELV). Regarding the REACH Regulation, the information TE provides on SVHC in articles for this part number is based on the latest European Chemicals Agency (ECHA) 'Guidance on requirements for substances in articles' posted at this URL: <https://echa.europa.eu/guidance-documents/guidance-on-reach>

## Compatible Parts



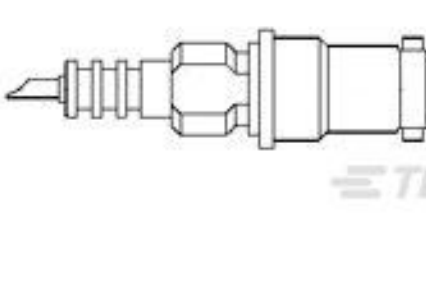
TE Part # 5051494-1  
SAFE HIGH VOLTAGE BLKHD RECEPT



TE Part # 51494-2  
STD HIGH VOLTAGE BLKHD RECEPT



TE Part # 51421-2  
SHV PANEL RECPT



TE Part # 51494-1  
SAFE HIGH VOLTAGE BLKHD RECEPT



TE Part # 5051426-2  
SAFE HIGH VOLTAGE PLUG



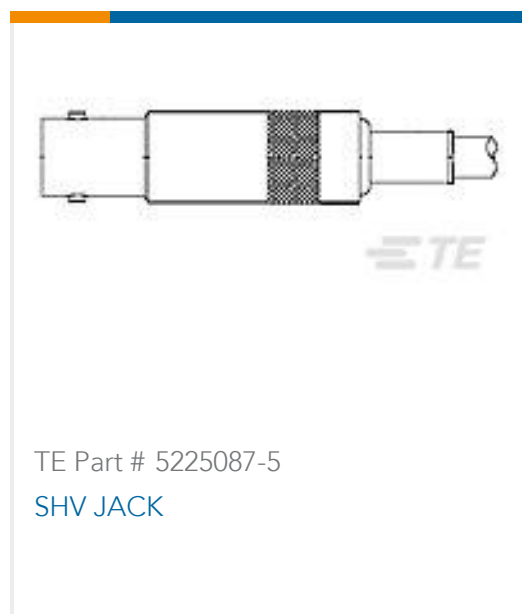
TE Part # 5051426-5  
SAFE HIGH VOLTAGE PLUG



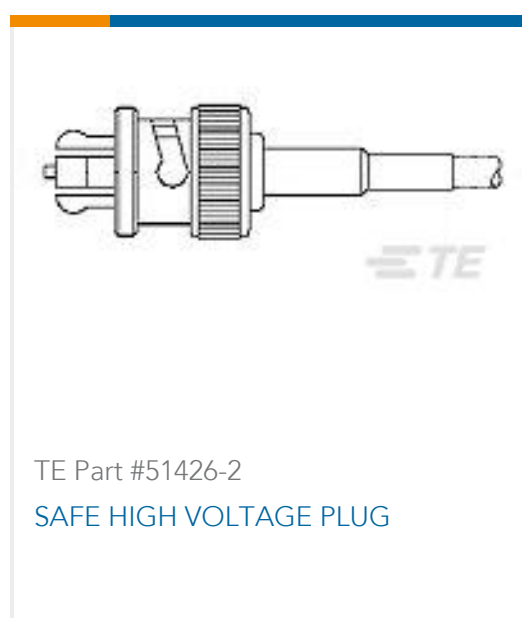
TE Part # 51426-2  
SAFE HIGH VOLTAGE PLUG



TE Part # 220022-1  
DAHT COAXICON RG58 C ASSY



## Customers Also Bought



## Documents

### CAD Files

#### 3D PDF

English

#### Customer View Model

[ENG\\_CVM\\_5051426-4\\_A1.2d\\_dxf.zip](#)

English

#### Customer View Model

[ENG\\_CVM\\_5051426-4\\_A1.3d\\_igs.zip](#)

English



### Customer View Model

[ENG\\_CVM\\_5051426-4\\_A1.3d\\_stp.zip](#)

English

By downloading the CAD file I accept and agree to the [Terms and Conditions](#) of use.

### Product Environmental Compliance

[MD\\_5051426-4\\_03132018244\\_dmtec](#)

English

[MD\\_5051426-4\\_03132018244\\_dmtec](#)

English