

50334-2 ✓ ACTIVE

SOLISTRAND

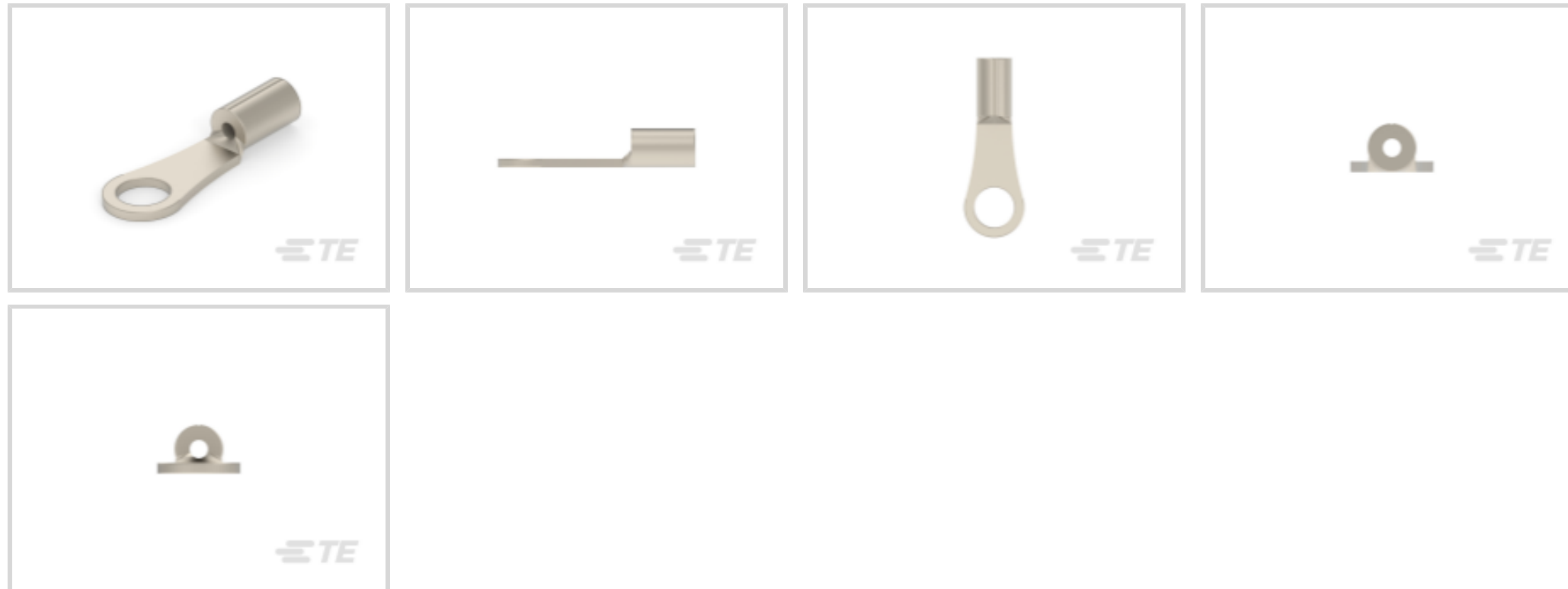
TE Internal #: 50334-2

Closed Ring Tongue Terminal, 26 – 22 AWG, #2 / M2 Stud Size, 2.36 mm [.093 in] Stud Diameter, Closed Barrel, Straight, Gold, Uninsulated

[View on TE.com >](#)



Terminals & Splices > Ring Terminals



Ring Terminal Product Type: Closed Ring Tongue Terminal

Wire Size: 202 – 810 CMA

Stud Size: #2, M2

Features

Product Type Features

Ring Terminal Product Type	Closed Ring Tongue Terminal
Stud Size	#2, M2
Sealable	No
Wire Insulation Support Retention Type	Non-Insulation Support

Configuration Features

Number of Holes	1
-----------------	---

Body Features

Product Weight	.13 g
----------------	-------

Contact Features

Barrel Type	Closed
Terminal Orientation	Straight
Terminal Plating Material	Gold
Contact Underplating Material	Nickel

Mechanical Attachment

Wire Insulation Support	Without
-------------------------	---------



Dimensions

Wire Size	202 – 810 CMA
Stud Diameter	2.36 mm [.093 in]
Tongue Thickness	.79 mm [.031 in]
Product Length	10.64 mm [.419 in]
Barrel Inside Diameter	.79 mm [.031 in]

Usage Conditions

Insulation Option	Uninsulated
Operating Temperature Range	260 °C [500 °F]

Operation/Application

Compatible With Wire Plating Material	Gold
---------------------------------------	------

Industry Standards

Government Qualified Terminal	No
-------------------------------	----

Packaging Features

Packaging Quantity	1000
Packaging Method	Loose Piece

Product Compliance

[For compliance documentation, visit the product page on TE.com>](#)

EU RoHS Directive 2011/65/EU	Compliant
EU ELV Directive 2000/53/EC	Compliant
China RoHS 2 Directive MIIT Order No 32, 2016	No Restricted Materials Above Threshold
EU REACH Regulation (EC) No. 1907/2006	Current ECHA Candidate List: JUNE 2023 (235) Candidate List Declared Against: JUNE 2023 (235) Does not contain REACH SVHC
Halogen Content	Low Halogen - Br, Cl, F, I < 900 ppm per homogenous material. Also BFR/CFR/PVC Free
Solder Process Capability	Not applicable for solder process capability

Product Compliance Disclaimer

This information is provided based on reasonable inquiry of our suppliers and represents our current actual knowledge based on the information they provided. This information is subject to change. The part numbers that TE has identified as EU RoHS compliant have a maximum concentration of 0.1% by weight in homogenous materials for lead, hexavalent chromium, mercury, PBB, PBDE, DBP, BBP, DEHP, DIBP, and 0.01% for cadmium, or qualify for an exemption to these

limits as defined in the Annexes of Directive 2011/65/EU (RoHS2). Finished electrical and electronic equipment products will be CE marked as required by Directive 2011/65/EU. Components may not be CE marked. Additionally, the part numbers that TE has identified as EU ELV compliant have a maximum concentration of 0.1% by weight in homogenous materials for lead, hexavalent chromium, and mercury, and 0.01% for cadmium, or qualify for an exemption to these limits as defined in the Annexes of Directive 2000/53/EC (ELV). Regarding the REACH Regulation, the information TE provides on SVHC in articles for this part number is based on the latest European Chemicals Agency (ECHA) 'Guidance on requirements for substances in articles' posted at this URL: <https://echa.europa.eu/guidance-documents/guidance-on-reach>

Compatible Parts



REPRESENTATION ONLY

TE Part # 69363
 DAHT STRATO SOLIS 26-20 ASSY


Customers Also Bought



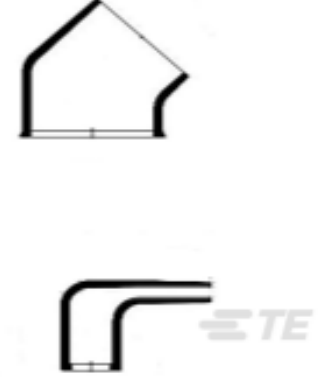
TE Part #814511-000
 222A121-3-0



TE Part #640909-1
 RECEPT,PIDG FASTON 22-18 205



TE Part #745211-7
 25 HDE AP PLUG, LEAD FREE



TE Part #CA2415-000
 224W201-25-0



TE Part #1577960-1
 TERMINAL, PEEK PIDG STRATO, 24-22 AWG



TE Part #2335891-6
 AMPLIMITE SZ 6 PLUG 104 POS, ST STL SHEL



TE Part #1-2176392-7
 RQ 1206 196K 0.1% 10PPM 5K RL



TE Part #NB16352001
 RW-175-1/4-X-STK



TE Part #1577619-1
 TERMINAL RT PIDG PEEK STRATO 24-22 AWG



TE Part #2335893-2
 AMPLIMITE SZ 2 RECPT 26 POS, ST STL SHEL

Documents



Product Drawings

TERMINAL,SOLIS R 26-22 2 AU

English

CAD Files

3D PDF

3D

Customer View Model

[ENG_CVM_CVM_50334-2_L.2d_dxf.zip](#)

English

Customer View Model

[ENG_CVM_CVM_50334-2_L.3d_igs.zip](#)

English

Customer View Model

[ENG_CVM_CVM_50334-2_L.3d_stp.zip](#)

English

Customer View Model

[ENG_CVM_50334-2_H1.3d_igs.zip](#)

English

Customer View Model

[ENG_CVM_50334-2_H1.3d_stp.zip](#)

English

Customer View Model

[ENG_CVM_50334-2_H1.2d_dxf.zip](#)

English

3D PDF

English

By downloading the CAD file I accept and agree to the [Terms and Conditions](#) of use.

Datasheets & Catalog Pages

SOLISTRAND - QRG

English

Product Environmental Compliance

MD_50334-2_0223201826_dmtec

English

MD_50334-2_0223201826_dmtec

English