

5-917698-1 ✓ ACTIVE

AMP Signal Double Lock

TE Internal #: 5-917698-1

Rectangular Connector Locking, Double Lock Plate, UL 94V-0, -22 – 221 °F [-30 – 105 °C], AMP Signal Double Lock

[View on TE.com >](#)



Connectors > Rectangular Connectors > Rectangular Connector Accessories > Rectangular Connector Locking



Connector & Contact Retention Accessory Type: **Double Lock Plate**

UL Flammability Rating: **UL 94V-0**

Operating Temperature Range: **-30 – 105 °C [-22 – 221 °F]**

Features

Product Type Features

Connector & Contact Retention Accessory Type	Double Lock Plate
--	-------------------

Electrical Characteristics

Operating Voltage	250 VAC
-------------------	---------

Usage Conditions

Operating Temperature Range	-30 – 105 °C[-22 – 221 °F]
-----------------------------	----------------------------

Industry Standards

UL Flammability Rating	UL 94V-0
------------------------	----------

Product Compliance

[For compliance documentation, visit the product page on TE.com>](#)

EU RoHS Directive 2011/65/EU	Compliant
EU ELV Directive 2000/53/EC	Compliant
China RoHS 2 Directive MIIT Order No 32, 2016	No Restricted Materials Above Threshold
EU REACH Regulation (EC) No. 1907/2006	Current ECHA Candidate List: JAN 2023 (233) Candidate List Declared Against: JAN 2023 (233)

Does not contain REACH SVHC

Halogen Content

Not Low Halogen - contains Br or Cl > 900 ppm.

Solder Process Capability

Not applicable for solder process capability

Product Compliance Disclaimer

This information is provided based on reasonable inquiry of our suppliers and represents our current actual knowledge based on the information they provided. This information is subject to change. The part numbers that TE has identified as EU RoHS compliant have a maximum concentration of 0.1% by weight in homogenous materials for lead, hexavalent chromium, mercury, PBB, PBDE, DBP, BBP, DEHP, DIBP, and 0.01% for cadmium, or qualify for an exemption to these limits as defined in the Annexes of Directive 2011/65/EU (RoHS2). Finished electrical and electronic equipment products will be CE marked as required by Directive 2011/65/EU. Components may not be CE marked. Additionally, the part numbers that TE has identified as EU ELV compliant have a maximum concentration of 0.1% by weight in homogenous materials for lead, hexavalent chromium, and mercury, and 0.01% for cadmium, or qualify for an exemption to these limits as defined in the Annexes of Directive 2000/53/EC (ELV). Regarding the REACH Regulation, the information TE provides on SVHC in articles for this part number is based on the latest European Chemicals Agency (ECHA) 'Guidance on requirements for substances in articles' posted at this URL: <https://echa.europa.eu/guidance-documents/guidance-on-reach>

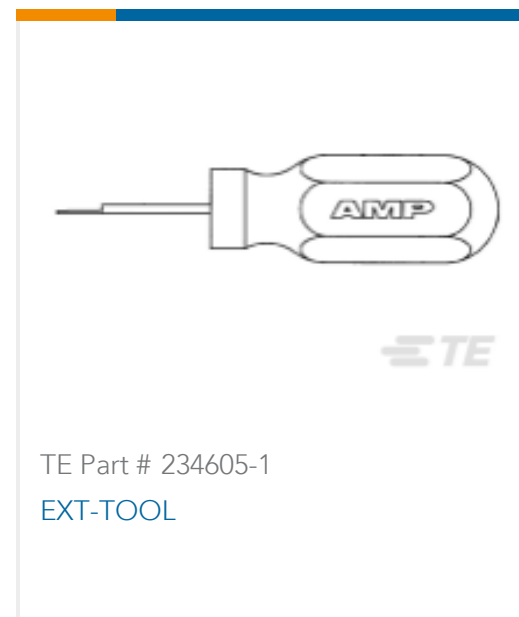
Compatible Parts



TE Part # 917686-1
2.5 SIGNAL D/LOCK PLUG HSG 2P

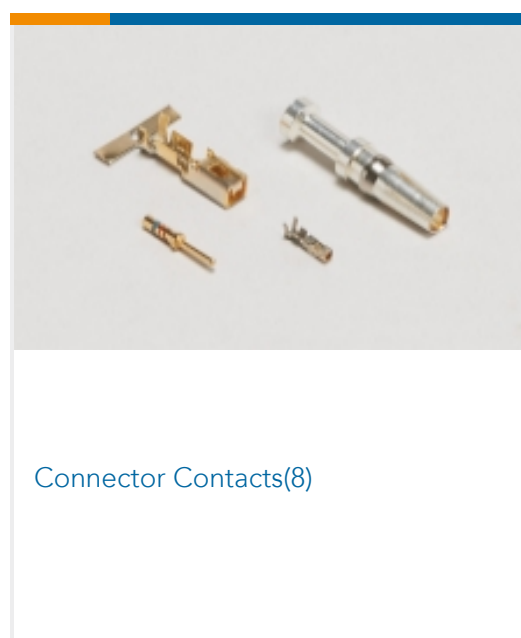


TE Part # 2005543-5
BLOWER MOTOR 3P DBL YEL

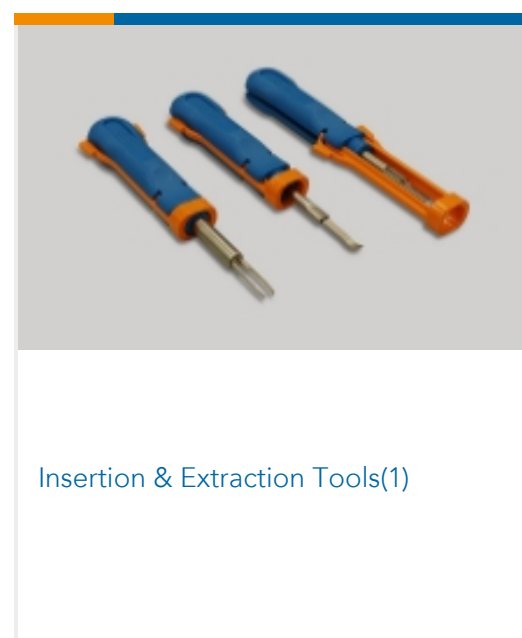


TE Part # 234605-1
EXT-TOOL

Also in the Series | AMP Signal Double Lock



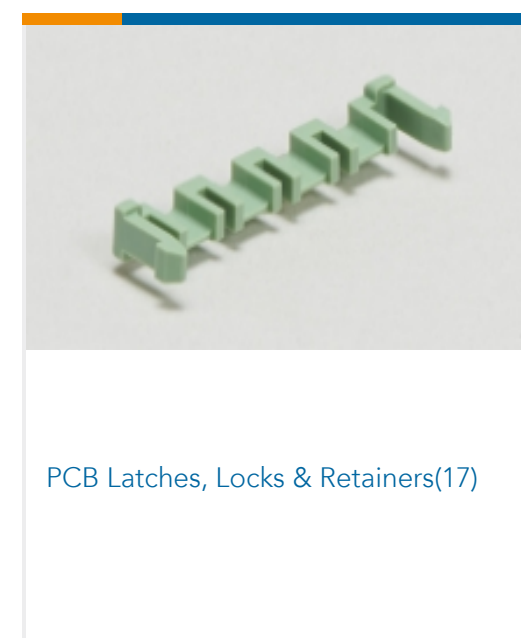
Connector Contacts(8)



Insertion & Extraction Tools(1)



PCB Headers & Receptacles(144)



PCB Latches, Locks & Retainers(17)



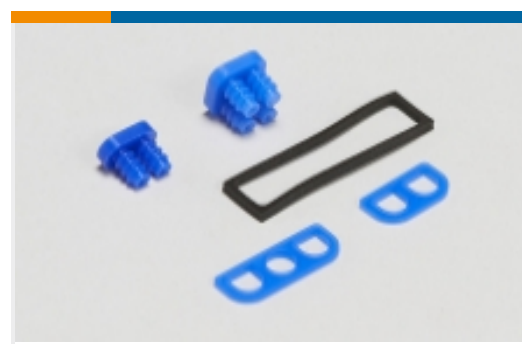
Rectangular Caps & Covers(1)



Rectangular Connector Housings(23)



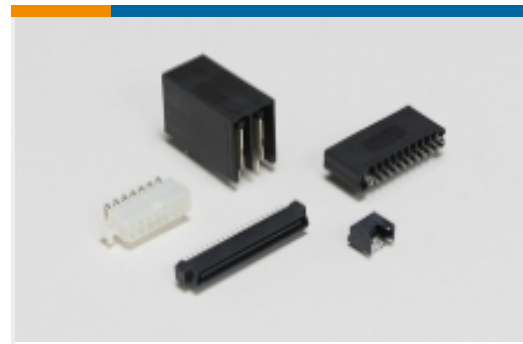
Rectangular Connector Locking(2)



Rectangular Connector Seals(10)



Rectangular Power Connectors(3)



Standard Rectangular Connectors(1)



Wire-to-Board Connector Assemblies & Housings(76)

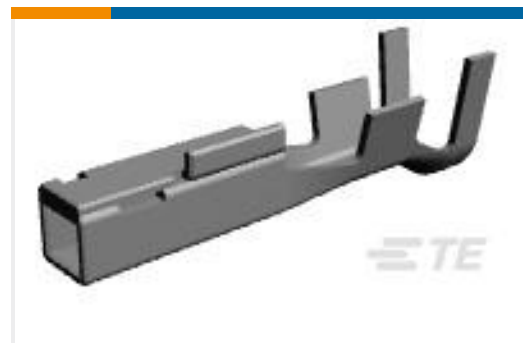


Wire-to-Board Connector Contacts(6)

Customers Also Bought



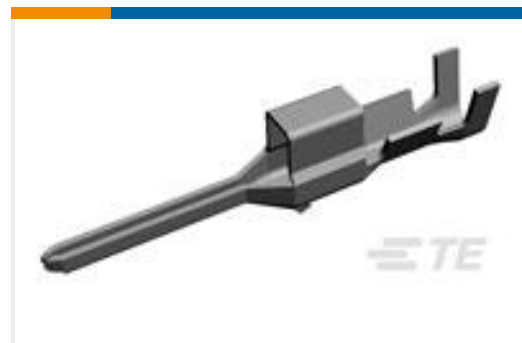
TE Part #1565084-1
GRACE INERTIA CONNECTOR 3.5 6P



TE Part #1565079-1
GRACE INERTIA 3.5 REC CONTACT(L)



TE Part #1565080-1
GRACE INERTIA 3.5 TAB CONTACT(L)



TE Part #917765-1
2.5 SIGNAL D/LOCK TAB CONT. M



TE Part #6-1376383-2
STD Temp Power Key Header



TE Part #3-1123824-1
EP 1P HDR BLUE



TE Part #5-1565088-1
GRACE INERTIA CONNECTOR 3.5W
6POS CAP

Documents

Product Drawings

[2.5 SIGNAL DBL LOCK D.L.P 2P](#)

Japanese

CAD Files

[3D PDF](#)

3D

Customer View Model

[ENG_CVM_CVM_5-917698-1_G.2d_dxf.zip](#)



English

Customer View Model

[ENG_CVM_CVM_5-917698-1_G.3d_igs.zip](#)

English

Customer View Model

[ENG_CVM_CVM_5-917698-1_G.3d_stp.zip](#)

English

By downloading the CAD file I accept and agree to the [Terms and Conditions](#) of use.

Datasheets & Catalog Pages

[SOFT_SHELL_PIN_AND_SOCKET_CONNECTORS_CATALOG](#)

English

Product Specifications

[Product Specification](#)

English