

5-2232516-1 ✓ ACTIVE



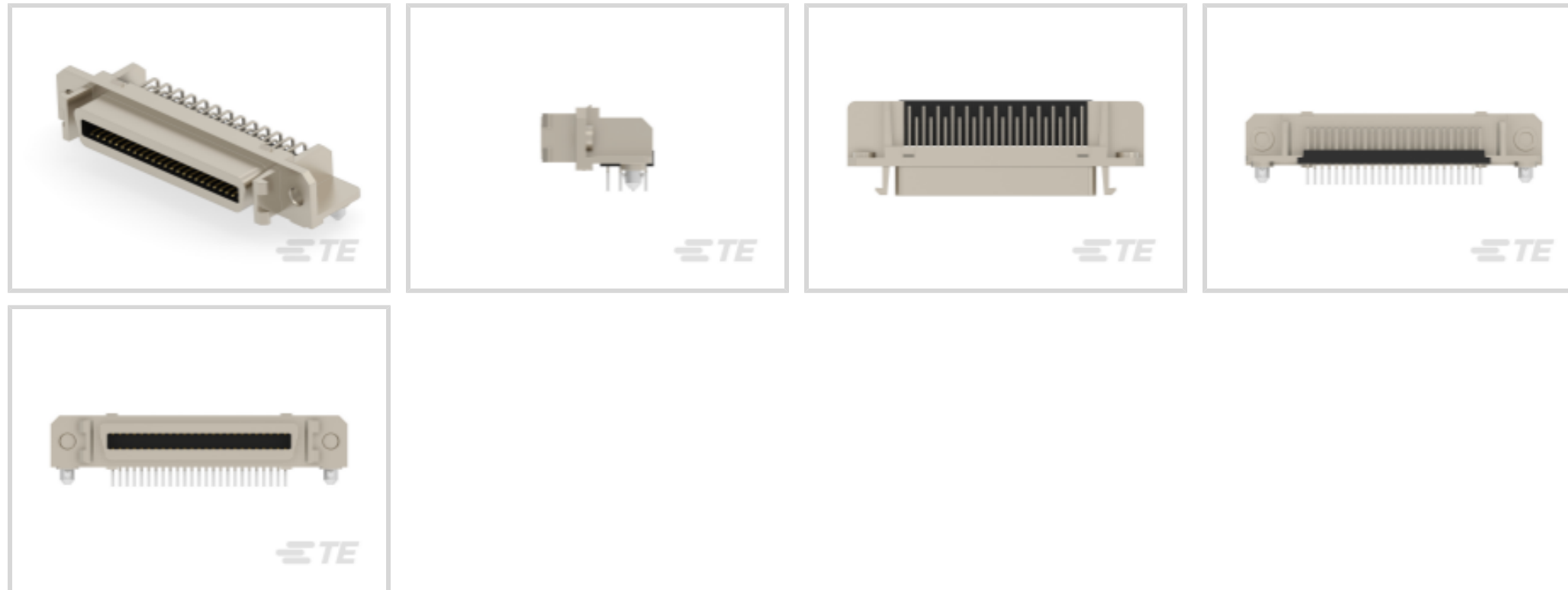
## SCSI Connectors

TE Internal #: 5-2232516-1

PCB D-Sub Connectors, Receptacle, Board-to-Board, 50 Position,  
1.27 mm [.05 in] Centerline, 2 Row, 2 Connector Shell Size, SCSI  
Connectors

[View on TE.com >](#)

Connectors > D-Shaped Connectors > D-Sub Connectors > PCB D-Sub Connectors



Connector & Housing Type: **Receptacle**

Connector System: **Board-to-Board**

Number of Positions: **50**

Centerline (Pitch): **1.27 mm [.05 in]**

Number of Rows: **2**

## Features

### Product Type Features

Shell Material Configuration	Full Metal Shell
Connector & Housing Type	Receptacle
Connector System	Board-to-Board
Connector Shell Size	2
Connector & Contact Terminates To	Printed Circuit Board

### Configuration Features

Number of Signal Positions	50
Number of Positions	50
Number of Rows	2
PCB Mount Orientation	Right Angle

### Body Features

Mating Feature Material	Steel
Mating Feature Plating Material	Nickel
Insert Material	PBT



Shield Plating Material	Nickel
Shield Material	Die Cast Metal
Shell Plating Material	Nickel
Primary Product Color	Black
Connector Profile	Standard

### Contact Features

	30 µin
Contact Mating Area Plating Material	Gold
Contact Underplating Material	Nickel
PCB Contact Termination Area Plating Material	Tin
Contact Base Material	Copper Alloy
Contact Shape & Form	Rectangular
Contact Current Rating (Max)	1 A

### Termination Features

Rectangular Termination Post & Tail Thickness	.32 mm[.012 in]
Rectangular Termination Post & Tail Width	.4 mm[.015 in]
Termination Post & Tail Length	2.8 mm[.11 in]
Termination Method to Printed Circuit Board	Through Hole - Solder

### Mechanical Attachment

Mounting Feature Plating Material	Nickel
Mounting Feature Material	Zinc
Mounting Hole Diameter	2.7 mm
Mating Alignment Type	Integral with mating surface
PCB Mount Alignment	With
PCB Mount Retention	With
PCB Mount Retention Type	Retention Leg
Mating Retention	With
Mating Retention Type	Latch
Connector Mounting Type	Panel Mount

### Housing Features

Shell Material	Steel
Housing Material	Thermoplastic Polyester GF



Centerline (Pitch)	1.27 mm[.05 in]
--------------------	-----------------

### Dimensions

PCB Thickness (Recommended)	1.6 mm[.063 in]
Row-to-Row Spacing	1.9 mm[.075 in]

### Usage Conditions

Operating Temperature Range	-40 – 85 °C[-40 – 185 °F]
-----------------------------	---------------------------

### Operation/Application

Durability Rating	500 Cycles
Shielded	No
Circuit Application	Signal

### Industry Standards

UL Flammability Rating	UL 94V-0
------------------------	----------

### Packaging Features

Packaging Quantity	80
Packaging Method	Box & Tray, Tray

### Other

D-Shaped Connectors Comment	SCSI- Applicable.
-----------------------------	-------------------

## Product Compliance

[For compliance documentation, visit the product page on TE.com>](#)

EU RoHS Directive 2011/65/EU	Compliant
EU ELV Directive 2000/53/EC	Compliant
China RoHS 2 Directive MIIT Order No 32, 2016	No Restricted Materials Above Threshold
EU REACH Regulation (EC) No. 1907/2006	Current ECHA Candidate List: JUNE 2023 (235) Candidate List Declared Against: JUNE 2023 (235) Does not contain REACH SVHC
Halogen Content	Not Low Halogen - contains Br or Cl > 900 ppm.
Solder Process Capability	Not reviewed for solder process capability

#### Product Compliance Disclaimer

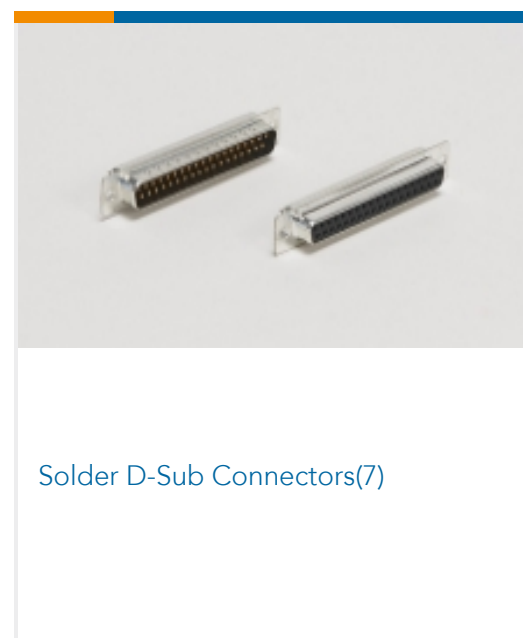
This information is provided based on reasonable inquiry of our suppliers and represents our current actual knowledge based on the information they provided. This information is subject to change. The part numbers that TE has identified as

EU RoHS compliant have a maximum concentration of 0.1% by weight in homogenous materials for lead, hexavalent chromium, mercury, PBB, PBDE, DBP, BBP, DEHP, DIBP, and 0.01% for cadmium, or qualify for an exemption to these limits as defined in the Annexes of Directive 2011/65/EU (RoHS2). Finished electrical and electronic equipment products will be CE marked as required by Directive 2011/65/EU. Components may not be CE marked. Additionally, the part numbers that TE has identified as EU ELV compliant have a maximum concentration of 0.1% by weight in homogenous materials for lead, hexavalent chromium, and mercury, and 0.01% for cadmium, or qualify for an exemption to these limits as defined in the Annexes of Directive 2000/53/EC (ELV). Regarding the REACH Regulation, the information TE provides on SVHC in articles for this part number is based on the latest European Chemicals Agency (ECHA) 'Guidance on requirements for substances in articles' posted at this URL: <https://echa.europa.eu/guidance-documents/guidance-on-reach>

## Compatible Parts

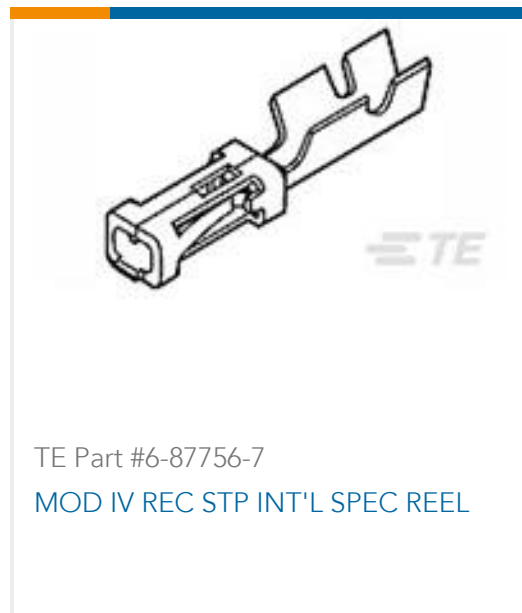


## Also in the Series | SCSI Connectors



## Customers Also Bought





## Documents

### Product Drawings

[SCSI .050 REC ASS'Y 50P PB-FREE](#)

English

### CAD Files

[3D PDF](#)

3D

**Customer View Model**

[ENG\\_CVM\\_CVM\\_5-2232516-1\\_A.2d\\_dxf.zip](#)

English

**Customer View Model**

[ENG\\_CVM\\_CVM\\_5-2232516-1\\_A.3d\\_igs.zip](#)

English

**Customer View Model**

[ENG\\_CVM\\_CVM\\_5-2232516-1\\_A.3d\\_stp.zip](#)

English

By downloading the CAD file I accept and agree to the [Terms and Conditions](#) of use.

### Product Specifications

[Product Specification](#)

English

[CHAMP.050 Series\(II\) Connector Wire to Board Type](#)

English

[Product Specification](#)

English