

35221K3FT ✓ ACTIVE

CGS | CGS 3522

TE Internal #: 5-2176231-2

1.3K Ω , Thick Film, Power Resistor, 1 %, 2 Termination, 2512, Taped & Reeled, 3 W, ± 100 ppm/ $^{\circ}\text{C}$, Solder, 6.35 x 3.2 x .55 mm, CGS 3522

[View on TE.com >](#)



Passive Components > Resistors > Surface Mount Resistors > SMD Power Resistor: 3 Watt, 1% Tol



Resistor Type: **Power Resistor**

Number of Terminations: **2**

Package Size Code: **2512**

Packaging Method: **Taped & Reeled**

Passive Component Tolerance: **1 %**

[All SMD Power Resistor: 3 Watt, 1% Tol \(140\)](#)

Features

Product Type Features

Product Type	Fixed Resistor
Resistor Type	Power Resistor
Package Size Code	2512
Element Type	Thick Film

Configuration Features

Number of Resistors	1
---------------------	---

Electrical Characteristics

Passive Component Tolerance	1 %
Resistance Class	1k Ω – 1M Ω
Resistance Value	1.3K Ω
Power Rating	3 W

Termination Features

Number of Terminations	2
Surface Mount Resistor Termination Type	Solder

Dimensions

Passive Component Dimensions	6.35 x 3.2 x .55 mm
------------------------------	---------------------

Usage Conditions



Temperature Coefficient	±100 ppm/°C
-------------------------	-------------

Packaging Features

Packaging Method	Taped & Reeled
------------------	----------------

Product Compliance

[For compliance documentation, visit the product page on TE.com>](#)

EU RoHS Directive 2011/65/EU	Compliant with Exemptions
EU ELV Directive 2000/53/EC	Compliant with Exemptions
China RoHS 2 Directive MIIT Order No 32, 2016	Restricted Materials Above Threshold
EU REACH Regulation (EC) No. 1907/2006	Current ECHA Candidate List: JUNE 2023 (235) Candidate List Declared Against: JUNE 2023 (235) Does not contain REACH SVHC
Halogen Content	Low Halogen - Br, Cl, F, I < 900 ppm per homogenous material. Also BFR/CFR/PVC Free
Solder Process Capability	Reflow solder capable to 260°C

Product Compliance Disclaimer

This information is provided based on reasonable inquiry of our suppliers and represents our current actual knowledge based on the information they provided. This information is subject to change. The part numbers that TE has identified as EU RoHS compliant have a maximum concentration of 0.1% by weight in homogenous materials for lead, hexavalent chromium, mercury, PBB, PBDE, DBP, BBP, DEHP, DIBP, and 0.01% for cadmium, or qualify for an exemption to these limits as defined in the Annexes of Directive 2011/65/EU (RoHS2). Finished electrical and electronic equipment products will be CE marked as required by Directive 2011/65/EU. Components may not be CE marked. Additionally, the part numbers that TE has identified as EU ELV compliant have a maximum concentration of 0.1% by weight in homogenous materials for lead, hexavalent chromium, and mercury, and 0.01% for cadmium, or qualify for an exemption to these limits as defined in the Annexes of Directive 2000/53/EC (ELV). Regarding the REACH Regulation, the information TE provides on SVHC in articles for this part number is based on the latest European Chemicals Agency (ECHA) 'Guidance on requirements for substances in articles' posted at this URL: <https://echa.europa.eu/guidance-documents/guidance-on-reach>

Compatible Parts



TE Part # CAT-C339-A76B
SMD Power Resistor: 3 Watt, 1% Tol



TE Part # 4-2176230-2
3522 2K2 5% 3W

Also in the Series | CGS 3522



Surface Mount Resistors(211)

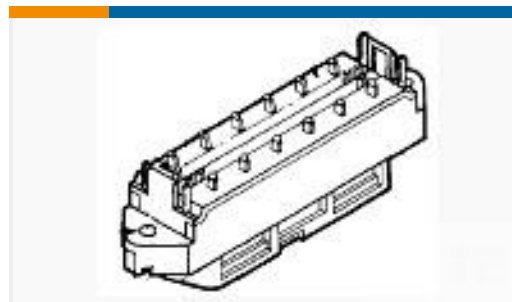
Customers Also Bought



TE Part #1-1622825-0
RL73K 3A R12 5% 1K Reel



TE Part #6-2176231-9
3522 6K8 1% 3W



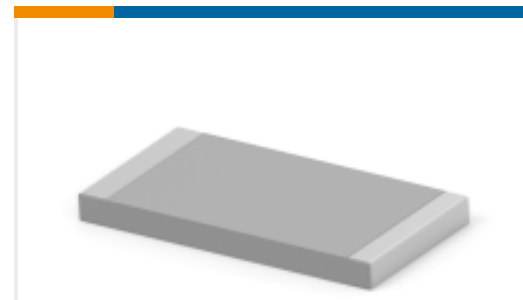
TE Part #554088-1
RCPT ASSY,24 POS,PANEL MTG,LPF



TE Part #1630186-2
HSA50 R68 5%



TE Part #1-1825058-9
ADE08S04=DIP SWTCH,EXT,SMT-GW



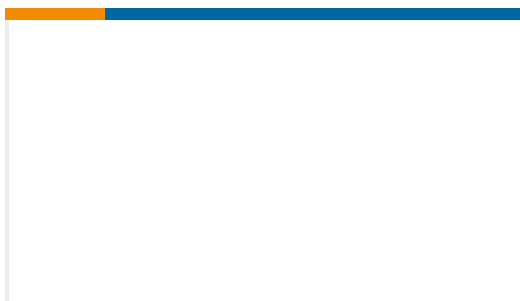
TE Part #4-2176331-0
CRGP 2512 18K 1%



TE Part #350180
TEST PROBE ASSEMBLY, REC, PA66, BLACK



TE Part #450213-000
CTA-0165



TE Part #1883910-1
A600, SZ 3 RCPT 150/150/13C2/



TE Part #1-2176322-9
SMV 1W 3M3 5%

Documents

Product Drawings

3522 1K3 1% 3W

English

CAD Files

3D PDF

3D



Customer View Model

[ENG_CVM_CVM_5-2176231-2_BA.2d_dxf.zip](#)

English

Customer View Model

[ENG_CVM_CVM_5-2176231-2_BA.3d_igs.zip](#)

English

Customer View Model

[ENG_CVM_CVM_5-2176231-2_BA.3d_stp.zip](#)

English

By downloading the CAD file I accept and agree to the [Terms and Conditions](#) of use.

Datasheets & Catalog Pages

[SMD POWER RESISTORS - TYPE 3522 SERIES](#)

English

Product Environmental Compliance

[Product Compliance](#)

English

[Product Compliance](#)

English