

TE Internal #: 5-1813099-2

TE Internal Description: 2.5mm SOCKET HSG ASSEMBLY(BLACK 3 POS)

Circular DIN Housings

[View on TE.com >](#)



[All Circular DIN Housings \(51\)](#)

Product Compliance

[For compliance documentation, visit the product page on TE.com>](#)

EU RoHS Directive 2011/65/EU	Compliant
EU ELV Directive 2000/53/EC	Compliant
China RoHS 2 Directive MIIT Order No 32, 2016	No Restricted Materials Above Threshold
EU REACH Regulation (EC) No. 1907/2006	Current ECHA Candidate List: JUNE 2023 (235) Candidate List Declared Against: JAN 2023 (233) Does not contain REACH SVHC
Halogen Content	Low Halogen - Br, Cl, F, I < 900 ppm per homogenous material. Also BFR/CFR/PVC Free
Solder Process Capability	Not reviewed for solder process capability

Product Compliance Disclaimer

This information is provided based on reasonable inquiry of our suppliers and represents our current actual knowledge based on the information they provided. This information is subject to change. The part numbers that TE has identified as EU RoHS compliant have a maximum concentration of 0.1% by weight in homogenous materials for lead, hexavalent chromium, mercury, PBB, PBDE, DBP, BBP, DEHP, DIBP, and 0.01% for cadmium, or qualify for an exemption to these limits as defined in the Annexes of Directive 2011/65/EU (RoHS2). Finished electrical and electronic equipment products will be CE marked as required by Directive 2011/65/EU. Components may not be CE marked. Additionally, the part numbers that TE has identified as EU ELV compliant have a maximum concentration of 0.1% by weight in homogenous materials for lead, hexavalent chromium, and mercury, and 0.01% for cadmium, or qualify for an exemption to these limits as defined in the Annexes of Directive 2000/53/EC (ELV). Regarding the REACH Regulation, the information TE provides on SVHC in articles for this part number is based on the latest European Chemicals Agency (ECHA) 'Guidance on requirements for substances in articles' posted at this URL: <https://echa.europa.eu/guidance-documents/guidance-on-reach>


Compatible Parts



TE Part # 828920-1
EINZELADERDICHTUNG



TE Part # 828922-1
2,5MM CAVITY PLUG FOR 5,4MM DI

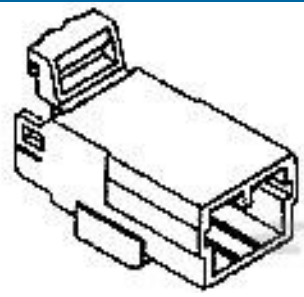


TE Part # CAT-R7602-T273
ROUND CONNECTOR SYSTEM, PIN AND SOCKET



TE Part # 1-967402-1
2,5MM ST-GEH KPL 4P

Customers Also Bought



TE Part #368504-1
070 MLC CAP HSG 6P



TE Part #1897214-1
MCP 6.3 2P PLUG ASSY




TE Part #1897726-2
MCP 1.5 SLD 10P PLUG ASS'Y




TE Part #368288-1
090 II SEALED REC




TE Part #2-2311123-1
REC CONN CVR,48POS,MCON 1.2,45 DEG



TE Part #2137768-1
76P CONNECTOR ASSEMBLY



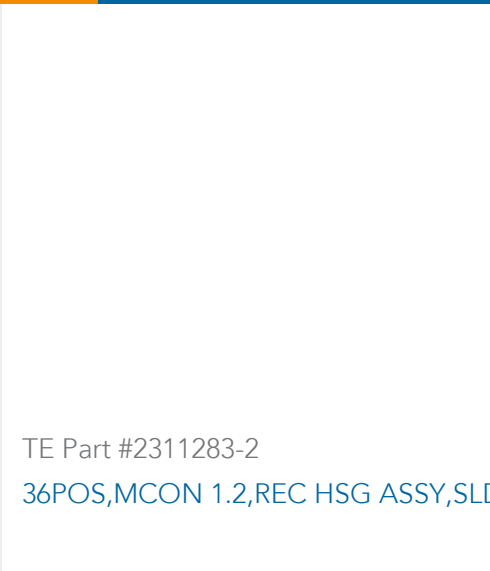
TE Part #2-2311124-1
LEVER,48POS,MCON 1.2



TE Part #2311126-1
TPA REC HSG,48POS,MCON 1.2



TE Part #2311283-1
36POS,MCON 1.2,REC HSG ASSY,SLD



TE Part #2311283-2
36POS,MCON 1.2,REC HSG ASSY,SLD

Documents

[CAD Files](#)

[3D PDF](#)

[3D](#)

[Customer View Model](#)

[ENG_CVM_CVM_5-1813099-2_A_c-5-1813099-2-a.2d_dxf.zip](#)

[English](#)

[Customer View Model](#)



[ENG_CVM_CVM_5-1813099-2_A_c-5-1813099-2-a.3d_igs.zip](#)

English

Customer View Model

[ENG_CVM_CVM_5-1813099-2_A_c-5-1813099-2-a.3d_stp.zip](#)

English

By downloading the CAD file I accept and agree to the [Terms and Conditions](#) of use.