

5-1634537-1 ✓ ACTIVE

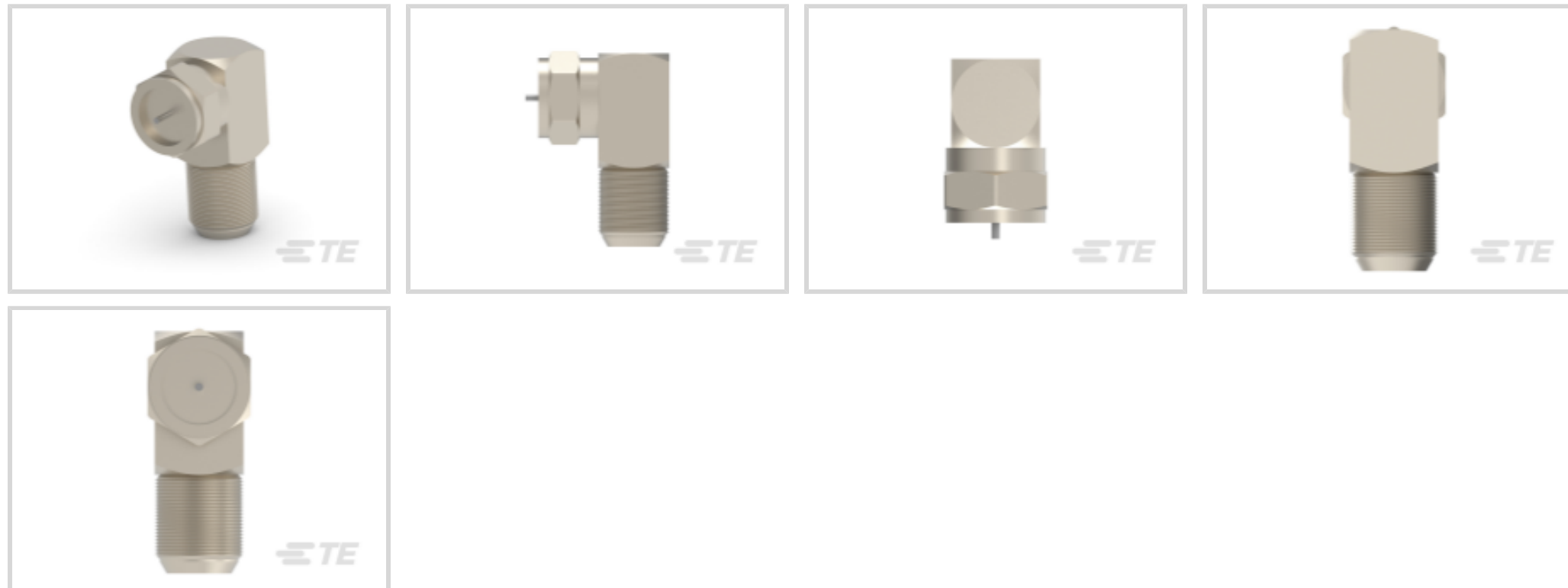
TE Internal #: 5-1634537-1

In-Series Adapter, Right Angle, F Type, Jack Side A, F Type, Plug Side B, 1 Position

[View on TE.com >](#)



Connectors > Connector Accessories > Connector Savers & Adapters



Connector Interface Adapter Type: **In-Series Adapter**

Body Orientation: **Right Angle**

Side A Interface: **F Type**

Side A Gender: **Jack**

Side B Interface: **F Type**

Features

Product Type Features

Connector Interface Adapter Type	In-Series Adapter
Side A Interface	F Type
Side A Gender	Jack
Side B Interface	F Type
Side B Gender	Plug
Connector System	Cable-to-Cable
Sealable	No

Configuration Features

Number of Positions	1
---------------------	---

Electrical Characteristics

Impedance	75 Ω
-----------	-------------

Body Features

Body Plating Material	Nickel
Body Material	Brass

Contact Features



RF Connector Center Contact Material	Brass
--------------------------------------	-------

RF Connector Center Contact Plating Material	Nickel
--	--------

Mechanical Attachment

Connector Mounting Type	Panel Mount
-------------------------	-------------

Housing Features

Body Orientation	Right Angle
------------------	-------------

Usage Conditions

Operating Temperature Range	-55 – 85 °C[-67 – 185 °F]
-----------------------------	---------------------------

Operation/Application

Circuit Application	Power & Signal
---------------------	----------------

Packaging Features

Packaging Quantity	1
--------------------	---

Packaging Method	Box
------------------	-----

Product Compliance

[For compliance documentation, visit the product page on TE.com>](#)

EU RoHS Directive 2011/65/EU	Compliant with Exemptions
------------------------------	---------------------------

EU ELV Directive 2000/53/EC	Compliant with Exemptions
-----------------------------	---------------------------

China RoHS 2 Directive MIIT Order No 32, 2016	Restricted Materials Above Threshold
---	--------------------------------------

EU REACH Regulation (EC) No. 1907/2006	<p>Current ECHA Candidate List: JUNE 2023 (235)</p> <p>Candidate List Declared Against: JUNE 2023 (235)</p> <p>SVHC > Threshold:</p> <p>Pb (3.36% in Component Part)</p> <p>Article Safe Usage Statements: Do not eat, drink or smoke when using this product. Wash thoroughly after handling. Recycle if possible and dispose of the article by following all applicable governmental regulations relevant to your geographic location.</p>
--	--

Halogen Content	Low Halogen - Br, Cl, F, I < 900 ppm per homogenous material. Also BFR/CFR/PVC Free
-----------------	---

Solder Process Capability	Not applicable for solder process capability
---------------------------	--

Product Compliance Disclaimer

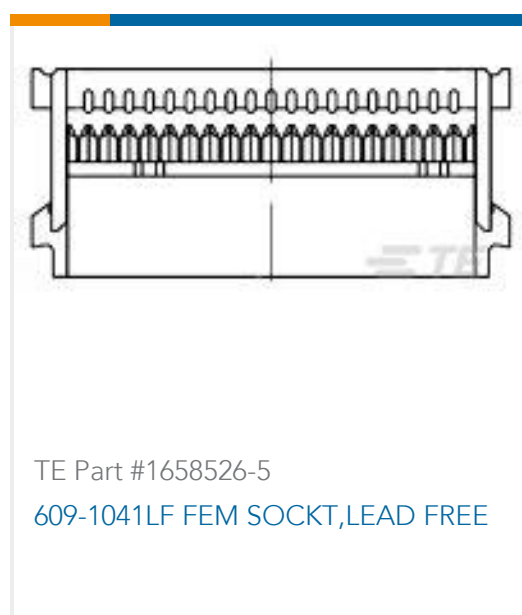
This information is provided based on reasonable inquiry of our suppliers and represents our current actual knowledge based on the information they provided. This information is subject to change. The part numbers that TE has identified as EU RoHS compliant have a maximum concentration of 0.1% by weight in homogenous materials for lead, hexavalent chromium, mercury, PBB, PBDE, DBP, BBP, DEHP, DIBP, and 0.01% for cadmium, or qualify for an exemption to these limits as defined in the Annexes of Directive 2011/65/EU (RoHS2). Finished electrical and electronic equipment products

will be CE marked as required by Directive 2011/65/EU. Components may not be CE marked. Additionally, the part numbers that TE has identified as EU ELV compliant have a maximum concentration of 0.1% by weight in homogenous materials for lead, hexavalent chromium, and mercury, and 0.01% for cadmium, or qualify for an exemption to these limits as defined in the Annexes of Directive 2000/53/EC (ELV). Regarding the REACH Regulation, the information TE provides on SVHC in articles for this part number is based on the latest European Chemicals Agency (ECHA) 'Guidance on requirements for substances in articles' posted at this URL: <https://echa.europa.eu/guidance-documents/guidance-on-reach>

Compatible Parts



Customers Also Bought



Documents

[CAD Files](#)

[3D PDF](#)

[3D](#)

[Customer View Model](#)

[ENG_CVM_CVM_5-1634537-1_C.2d_dxf.zip](#)

English

[Customer View Model](#)

[ENG_CVM_CVM_5-1634537-1_C.3d_igs.zip](#)

English



Customer View Model

[ENG_CVM_CVM_5-1634537-1_C.3d_stp.zip](#)

English

By downloading the CAD file I accept and agree to the [Terms and Conditions](#) of use.

Datasheets & Catalog Pages

[F Series and G Series Connectors](#)

English

Product Specifications

[Economy RF Coaxial Connectors](#)

English

[Product Specification](#)

English

Product Environmental Compliance

[TE Material Declaration](#)

English