



Products Unlimited | Products Unlimited 3186

TE Internal #: 5-1611023-4

Definite Purpose Contactors, 3, 120 VAC Coil Voltage, 90 A, Panel, 3 Form X, 3PST-NO-DM, Box Lug / Quick Connect, Products Unlimited 3186

[View on TE.com >](#)

Relays, Contactors & Switches > Contactors > Definite Purpose Contactors > AC Coil DP Contactors, 3 Pole, 20-40 FLA



Pole Configuration: **3**

Definite Purpose Contactor Coil Voltage Rating: **120 VAC**

Definite Purpose Contactor Contact Current Rating: **90 A**

Definite Purpose Contactor Mounting Type: **Panel**

Definite Purpose Contactor Contact Arrangement: **3 Form X, 3PST-NO-DM**

[All AC Coil DP Contactors, 3 Pole, 20-40 FLA \(43\)](#)

## Features

### Product Type Features

Molded	Yes
Product Category	Electromechanical Relays
Product Type	Contactor
Arc Cover	With
Product Classification	Relays - Contactors
Model	96
Contactor Type	Definite Purpose
Terminal Configuration	Box Lug, Quick Connect

### Configuration Features

Auxiliary Switch Contact Arrangement	Without
--------------------------------------	---------

### Electrical Characteristics

Actuating System	AC
Coil Voltage (Max)	120 VAC
Definite Purpose Contactor Coil Voltage Rating	120 VAC
Definite Purpose Contactor Coil Resistance	15.6 Ω
Definite Purpose Contactor Contact Switching Voltage (Max)	600 VAC

### Contact Features



Contact Base Material	Silver Cadmium Oxide
Pole Configuration	3
Definite Purpose Contactor Contact Current Rating	90 A
Definite Purpose Contactor Contact Arrangement	3 Form X, 3PST-NO-DM

### Termination Features

Coil Termination	6-32 Screw, Quick Connect
------------------	---------------------------

### Mechanical Attachment

Mounting Plate	With
Definite Purpose Contactor Mounting Type	Panel

### Dimensions

Wire Size	2.08 – 53.5 mm <sup>2</sup>
-----------	-----------------------------

### Industry Standards

UL Flammability Rating	UL 94V-0
Agency Approval	CSA Certified, SEMKO Certified, UL Recognized

### Packaging Features

Packaging Method	Individual
------------------	------------

### Other

Torque	50 in-lbs
--------	-----------

## Product Compliance

[For compliance documentation, visit the product page on TE.com>](#)

EU RoHS Directive 2011/65/EU	Compliant with Exemptions
EU ELV Directive 2000/53/EC	Not Compliant
China RoHS 2 Directive MIIT Order No 32, 2016	Restricted Materials Above Threshold
EU REACH Regulation (EC) No. 1907/2006	Current ECHA Candidate List: JAN 2023 (233) Candidate List Declared Against: JUNE 2022 (224) SVHC > Threshold: Cadmium oxide (12.06% in Component Part)
Halogen Content	Not Yet Reviewed for halogen content

#### Article Safe Usage Statements:

Use personal protective equipment as required. Do not eat, drink or smoke when using this product. Recycle if possible and dispose of the article by following all applicable governmental regulations relevant to your geographic location.



Solder Process Capability

Not applicable for solder process capability


Product Compliance Disclaimer

This information is provided based on reasonable inquiry of our suppliers and represents our current actual knowledge based on the information they provided. This information is subject to change. The part numbers that TE has identified as EU RoHS compliant have a maximum concentration of 0.1% by weight in homogenous materials for lead, hexavalent chromium, mercury, PBB, PBDE, DBP, BBP, DEHP, DIBP, and 0.01% for cadmium, or qualify for an exemption to these limits as defined in the Annexes of Directive 2011/65/EU (RoHS2). Finished electrical and electronic equipment products will be CE marked as required by Directive 2011/65/EU. Components may not be CE marked. Additionally, the part numbers that TE has identified as EU ELV compliant have a maximum concentration of 0.1% by weight in homogenous materials for lead, hexavalent chromium, and mercury, and 0.01% for cadmium, or qualify for an exemption to these limits as defined in the Annexes of Directive 2000/53/EC (ELV). Regarding the REACH Regulation, the information TE provides on SVHC in articles for this part number is based on the latest European Chemicals Agency (ECHA) 'Guidance on requirements for substances in articles' posted at this URL: <https://echa.europa.eu/guidance-documents/guidance-on-reach>

### Compatible Parts




TE Part # 175022-1  
250 PL EX REC. 18-14AWG PTBR



TE Part # 1611349-1  
34300-332=AUXILIARY SWITCH 1N.

### Also in the Series | Products Unlimited 3186



Definite Purpose Contactors(7)

### Customers Also Bought



TE Part #770522-2  
SL156 RECEPT AUNI/PHBZ L/P



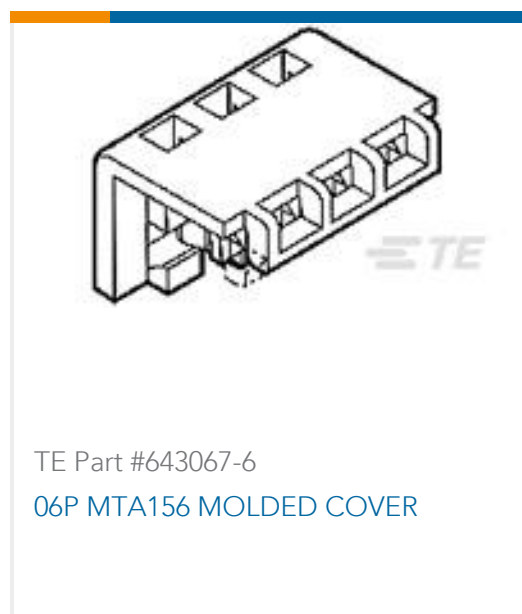
TE Part #3-640620-4  
04P MTA100 CONN ASSY F/T RED



TE Part #6-1415055-1  
SR4D4048



TE Part #58443-1  
MTA 156 CRIMP HEAD PRODUCTION FEED THRU



## Documents

### CAD Files

Customer View Model

[ENG\\_CVM\\_CVM\\_5-1611023-4\\_O.3d\\_igs.zip](#)

English

Customer View Model

[ENG\\_CVM\\_CVM\\_5-1611023-4\\_O.3d\\_stp.zip](#)

English

Customer View Model

[ENG\\_CVM\\_CVM\\_5-1611023-4\\_O.2d\\_dxf.zip](#)

English

**3D PDF**

3D

Customer View Model

[ENG\\_CVM\\_5-1611023-4\\_0106.3d\\_igs.zip](#)

English

Customer View Model

[ENG\\_CVM\\_5-1611023-4\\_0106.3d\\_stp.zip](#)

English

Customer View Model

[ENG\\_CVM\\_5-1611023-4\\_0106.2d\\_dxf.zip](#)

English

**3D PDF**

English

By downloading the CAD file I accept and agree to the [Terms and Conditions](#) of use.

### Datasheets & Catalog Pages

[Model 96 - 3186 Definite Purpose Contactor 3-pole, 75-90 FLA AC Coil](#)

3186Y30J90999CJ

Definite Purpose Contactors, 3, 120 VAC Coil Voltage, 90 A, Panel, 3 Form X, 3PST-NO-DM, Box Lug / Quick Connect, Products Unlimited 3186



English