

# 100KEBS10BFPD ✓ ACTIVE

Corcom KEB

TE Internal #: 5-1609965-8

3-Phase Filters, 100A Current Rating, Terminal Block Input, Terminal Block Output, DELTA (3 wire + ground), Operating Voltage 520 VAC, Corcom KEB

[View on TE.com >](#)



EMI & EMC Solutions > EMI Filters > Power Line Filters > 3-Phase Filters



Current Rating: 100 A

Input Termination Type: Terminal Block

Output Termination Type: Terminal Block

Wiring Configuration: DELTA (3 wire + ground)

Operating Voltage: 520 VAC

## Features

### Product Type Features

Filtering Requirements	Filtered
Input Termination Type	Terminal Block
Output Termination Type	Terminal Block

### Configuration Features

Wiring Configuration	DELTA (3 wire + ground)
----------------------	-------------------------

### Electrical Characteristics

Leakage Current (Max) (230VAC, 50Hz)	3
Current Rating	100 A
Operating Voltage	520 VAC

### Mechanical Attachment

Product Mount Type	Chassis
--------------------	---------

### Usage Conditions

Operating Temperature Range	-25 – 85 °C
-----------------------------	-------------



## Product Compliance

[For compliance documentation, visit the product page on TE.com>](#)

EU RoHS Directive 2011/65/EU	Compliant with Exemptions
EU ELV Directive 2000/53/EC	Not Compliant
China RoHS 2 Directive MIIT Order No 32, 2016	Restricted Materials Above Threshold
EU REACH Regulation (EC) No. 1907/2006	<p>Current ECHA Candidate List: JUNE 2023 (235)</p> <p>Candidate List Declared Against: JUNE 2023 (235)</p> <p>SVHC &gt; Threshold:</p> <p>Pb (3% in Component Part)</p> <p><b>Article Safe Usage Statements:</b> Do not eat, drink or smoke when using this product. Wash thoroughly after handling. Recycle if possible and dispose of the article by following all applicable governmental regulations relevant to your geographic location.</p>
Halogen Content	Low Halogen - Br, Cl, F, I < 900 ppm per homogenous material. Also BFR/CFR/PVC Free
Solder Process Capability	Not reviewed for solder process capability

### Product Compliance Disclaimer

This information is provided based on reasonable inquiry of our suppliers and represents our current actual knowledge based on the information they provided. This information is subject to change. The part numbers that TE has identified as EU RoHS compliant have a maximum concentration of 0.1% by weight in homogenous materials for lead, hexavalent chromium, mercury, PBB, PBDE, DBP, BBP, DEHP, DIBP, and 0.01% for cadmium, or qualify for an exemption to these limits as defined in the Annexes of Directive 2011/65/EU (RoHS2). Finished electrical and electronic equipment products will be CE marked as required by Directive 2011/65/EU. Components may not be CE marked. Additionally, the part numbers that TE has identified as EU ELV compliant have a maximum concentration of 0.1% by weight in homogenous materials for lead, hexavalent chromium, and mercury, and 0.01% for cadmium, or qualify for an exemption to these limits as defined in the Annexes of Directive 2000/53/EC (ELV). Regarding the REACH Regulation, the information TE provides on SVHC in articles for this part number is based on the latest European Chemicals Agency (ECHA) 'Guidance on requirements for substances in articles' posted at this URL: <https://echa.europa.eu/guidance-documents/guidance-on-reach>

## Compatible Parts



Also in the Series | [Corcom KEB](#)



3-Phase Filters(38)

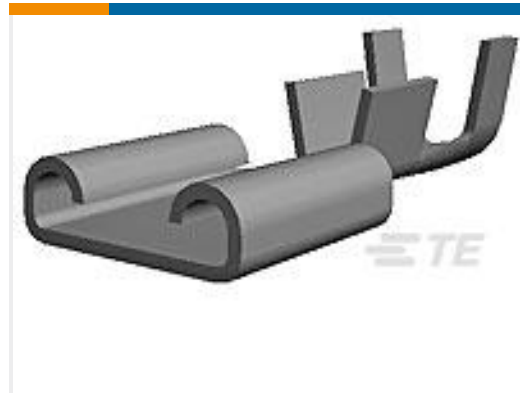
## Customers Also Bought



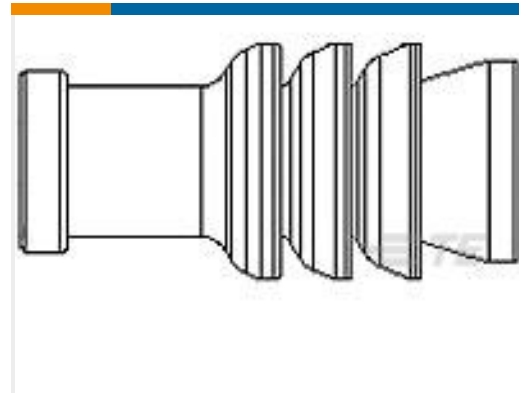
TE Part #215083-4  
Male-on-Wire Connector, Micro-MaTch



TE Part #1-2308346-6  
FULL METAL HOODS SIZE 5 - 6 (RAW)



TE Part #5-160432-4  
250 FASTON REC 20-16 AWG TPBR



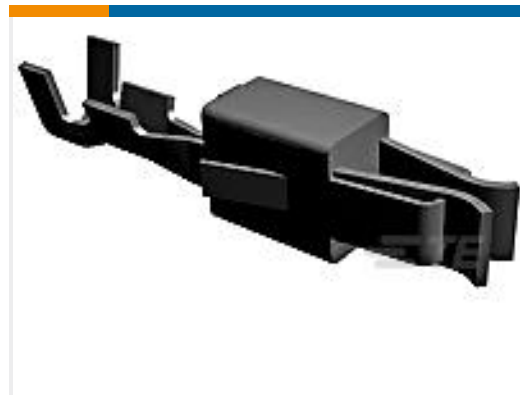
TE Part #967067-1  
MQS SGL WIRE SEAL



TE Part #2-968814-2  
MESSERLEISTE3,0 16P



TE Part #2-967677-1  
3,0MESSERLEIS 55P



TE Part #927771-3  
JPT REC 2.8 Contact SRC Sn



TE Part #8-1579008-4  
EXTRACTION TOOL



TE Part #1-1418862-0  
2POS. FIBER OPTIC HARNESS  
CONNECTOR

## Documents

### Product Drawings

[KEB 100A 1S SP DELTA 520VAC](#)

English

### CAD Files

Customer View Model

[ENG\\_CVM\\_CVM\\_5-1609965-8\\_B.3d\\_igs.zip](#)

English

Customer View Model



[ENG\\_CVM\\_CVM\\_5-1609965-8\\_B.3d\\_stp.zip](#)

English

**Customer View Model**

[ENG\\_CVM\\_CVM\\_5-1609965-8\\_B.2d\\_dxf.zip](#)

English

**3D PDF**

3D

By downloading the CAD file I accept and agree to the [Terms and Conditions](#) of use.

---

**Datasheets & Catalog Pages**

**KEB SERIES**

English