

20SRB1 ✓ ACTIVE

Corcom

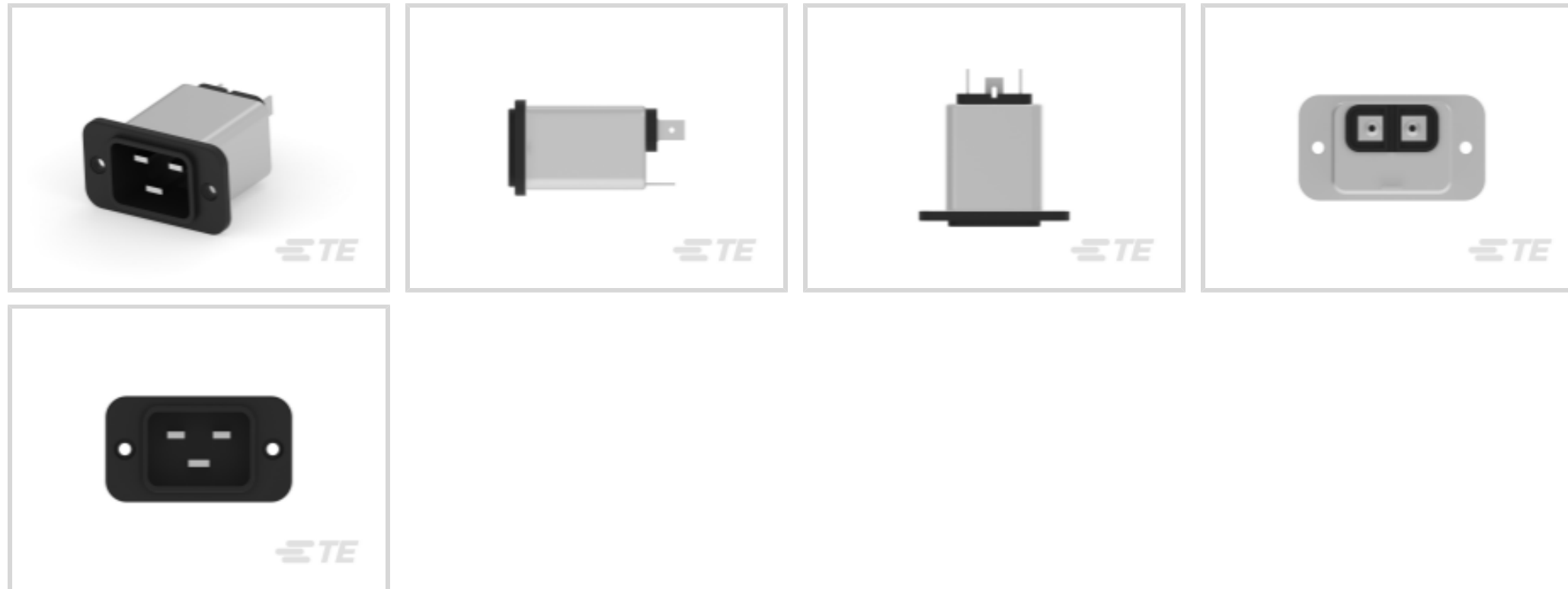
TE Internal #: 5-1609152-1

Multi-Function Inlet Filters, Power Line, Vertical, 20A Current Rating, .250" FASTON Output, Operating Voltage 250 VAC, Filtered, IEC 60320-1 C-20

[View on TE.com >](#)



EMI & EMC Solutions > EMI Filters > Multi-Function Inlet Filters



Filter Type: **Power Line**

Product Orientation: **Vertical**

Leakage Current (Max) (120VAC, 60Hz): **2  $\mu$ A**

Leakage Current (Max) (250VAC, 50Hz): **5  $\mu$ A**

Current Rating: **20 A**

## Features

### Product Type Features

Ground Choke Option	No
Filter Type	Power Line
Output Termination Type	.250" FASTON
Filtering Requirements	Filtered
Filter Connector Type	IEC 60320-1 C-20

### Electrical Characteristics

Leakage Current (Max) (120VAC, 60Hz)	2 $\mu$ A
Leakage Current (Max) (250VAC, 50Hz)	5 $\mu$ A
Current Rating	20 A
Operating Voltage	250 VAC

### Body Features

Product Orientation	Vertical
---------------------	----------

### Mechanical Attachment

Panel Mount Feature Type	Flanged
--------------------------	---------

## Usage Conditions

Operating Temperature Range	-10 – 40 °C
-----------------------------	-------------

## Product Compliance

[For compliance documentation, visit the product page on TE.com>](#)

EU RoHS Directive 2011/65/EU	Compliant
EU ELV Directive 2000/53/EC	Compliant
China RoHS 2 Directive MIIT Order No 32, 2016	No Restricted Materials Above Threshold
EU REACH Regulation (EC) No. 1907/2006	Current ECHA Candidate List: JUNE 2023 (235) Candidate List Declared Against: JUNE 2023 (235) Does not contain REACH SVHC
Halogen Content	Not Low Halogen - contains Br or Cl > 900 ppm.
Solder Process Capability	Not applicable for solder process capability

### Product Compliance Disclaimer

This information is provided based on reasonable inquiry of our suppliers and represents our current actual knowledge based on the information they provided. This information is subject to change. The part numbers that TE has identified as EU RoHS compliant have a maximum concentration of 0.1% by weight in homogenous materials for lead, hexavalent chromium, mercury, PBB, PBDE, DBP, BBP, DEHP, DIBP, and 0.01% for cadmium, or qualify for an exemption to these limits as defined in the Annexes of Directive 2011/65/EU (RoHS2). Finished electrical and electronic equipment products will be CE marked as required by Directive 2011/65/EU. Components may not be CE marked. Additionally, the part numbers that TE has identified as EU ELV compliant have a maximum concentration of 0.1% by weight in homogenous materials for lead, hexavalent chromium, and mercury, and 0.01% for cadmium, or qualify for an exemption to these limits as defined in the Annexes of Directive 2000/53/EC (ELV). Regarding the REACH Regulation, the information TE provides on SVHC in articles for this part number is based on the latest European Chemicals Agency (ECHA) 'Guidance on requirements for substances in articles' posted at this URL: <https://echa.europa.eu/guidance-documents/guidance-on-reach>

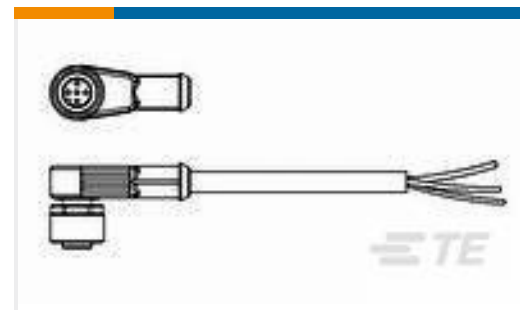
## Compatible Parts



## Customers Also Bought



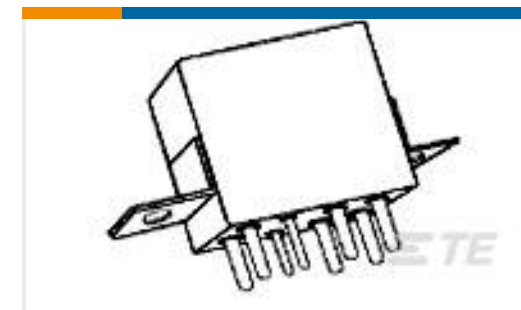
TE Part #440133-4  
2.5MM,HSG,4POS



TE Part #1-2273012-3  
M8 x 1.0 Angled socket Pigtail LED



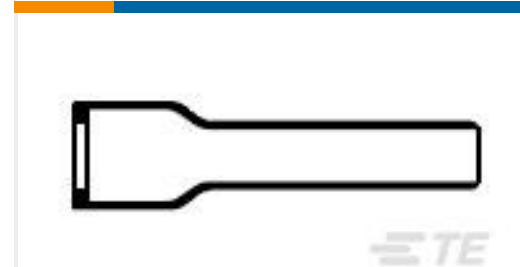
TE Part #5-1617753-0  
FCA-325-BZ4



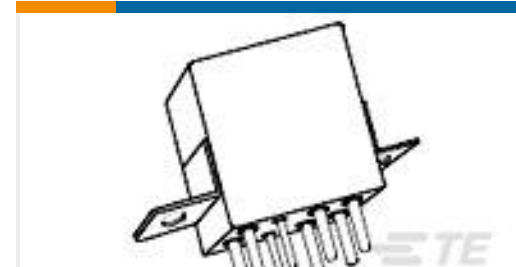
TE Part #4-1617758-4  
FCB-205-0219M=M83536/2-019M



TE Part #2-1437565-8  
FSM2JSMAA=TACTILE 260G FORCE S



TE Part #811134-000  
202D221-12-0



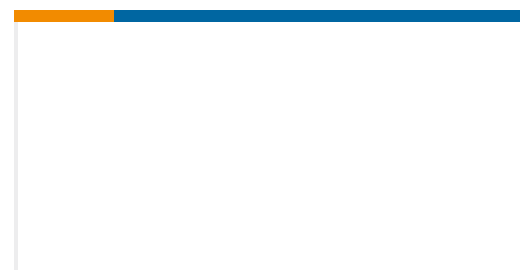
TE Part #2-1617749-2  
FCA-210-1024M=M83536/10-024M



TE Part #GA100K6MBD1  
MBD9-MBD



TE Part #1650162-2  
701-65-02109=CONTACT,PIN,#20



TE Part #34015121  
GX1218 1Pt100 W0.15 L12/D1.8mm

## Documents

### Product Drawings

[20SRB1=F8424](#)

English

### CAD Files

[3D PDF](#)

3D

Customer View Model

[ENG\\_CVM\\_CVM\\_5-1609152-1\\_A.2d\\_dxf.zip](#)

English

Customer View Model

[ENG\\_CVM\\_CVM\\_5-1609152-1\\_A.3d\\_igs.zip](#)

English

Customer View Model

[ENG\\_CVM\\_CVM\\_5-1609152-1\\_A.3d\\_stp.zip](#)

English

By downloading the CAD file I accept and agree to the [Terms and Conditions](#) of use.

### Datasheets & Catalog Pages



[Corcom 20SRB Series Flyer](#)

English

---

[Agency Approvals](#)

[UL Report](#)

English