

5-160558-2 ✓ ACTIVE

FASTIN-FASTON | FASTIN-FASTON 250

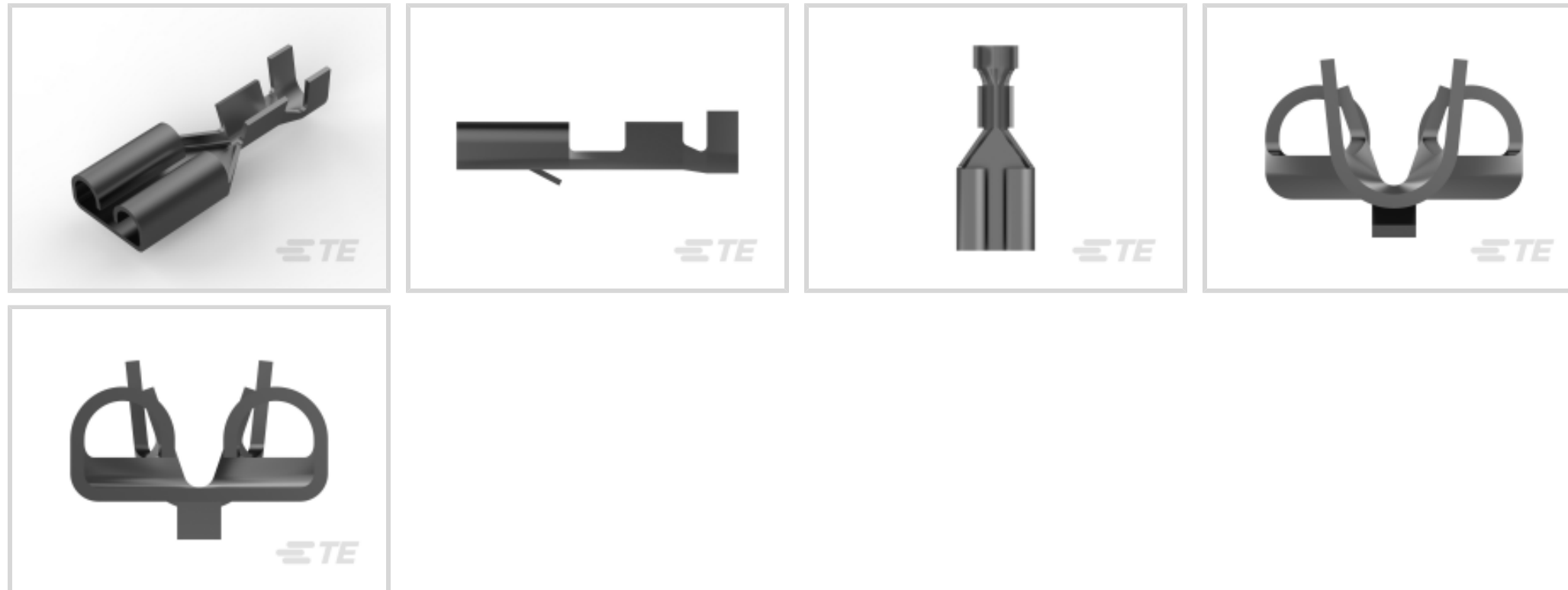
TE Internal #: 5-160558-2

Quick Disconnects, Receptacle, 20 – 15 AWG Wire Size, .51 – 1.65 mm<sup>2</sup> Wire Size, Mating Tab Width 6.35 mm [.25 in], Straight, Brass, FASTIN-FASTON 250

[View on TE.com >](#)



Terminals & Splices > Quick Disconnects



Quick Disconnect Terminal Type: **Receptacle**

Wire Size: .51 – 1.65 mm<sup>2</sup>

Mating Tab Width: 6.35 mm [.25 in]

Mating Tab Thickness: .81 mm [.032 in]

## Features

### Product Type Features

Insertion Force	Normal
-----------------	--------

### Configuration Features

Connection Capacity	Single
---------------------	--------

Compatible With Wire & Cable Type	Discrete Wire
-----------------------------------	---------------

### Electrical Characteristics

Voltage Rating	250 V
----------------	-------

### Contact Features

Quick Disconnect Terminal Type	Receptacle
--------------------------------	------------

Mating Tab Width	6.35 mm [.25 in]
------------------	------------------

Mating Tab Thickness	.81 mm [.032 in]
----------------------	------------------

Terminal Orientation	Straight
----------------------	----------

Contact Base Material	Brass
-----------------------	-------

Terminal Plating Material	Tin
---------------------------	-----

Crimp Type	F-Crimp
------------	---------



Barrel Type	Open
-------------	------

### Termination Features

Product Terminates To	Wire & Cable
-----------------------	--------------

### Mechanical Attachment

	.043 in
--	---------

Wire Insulation Support	With
-------------------------	------

Mating Retention Type	Locking Lance
-----------------------	---------------

### Dimensions

Terminal Material Thickness	.41 mm[.016 in]
-----------------------------	-----------------

Product Length	19.4 mm[.763 in]
----------------	------------------

Compatible Insulation Diameter Range	2.31 – 3.3 mm[.091 – .129 in]
--------------------------------------	-------------------------------

Wire Size	.51 – 1.65 mm <sup>2</sup>
-----------	----------------------------

### Usage Conditions

Insulation Option	Uninsulated
-------------------	-------------

Operating Temperature Range	-40 – 110 °C[-40 – 230 °F]
-----------------------------	----------------------------

### Industry Standards

UL Flammability Rating	UL 94V-2
------------------------	----------

### Packaging Features

Packaging Quantity	5000
--------------------	------

Packaging Method	Strip/Reel
------------------	------------

### Other

Terminals & Splices Comment	"According to DIN 46340, Part 3", Chamfered, For connections with less than 4 contacts., With dimple
-----------------------------	--

### Product Compliance

[For compliance documentation, visit the product page on TE.com>](#)

EU RoHS Directive 2011/65/EU	Compliant
------------------------------	-----------

EU ELV Directive 2000/53/EC	Compliant
-----------------------------	-----------

China RoHS 2 Directive MIIT Order No 32, 2016	No Restricted Materials Above Threshold
---	---

EU REACH Regulation (EC) No. 1907/2006	Current ECHA Candidate List: JUNE 2023 (235) Candidate List Declared Against: JUNE 2023 (235)
--	--



Does not contain REACH SVHC

Halogen Content

Low Halogen - Br, Cl, F, I < 900 ppm per homogenous material. Also BFR/CFR/PVC Free

Solder Process Capability

Not applicable for solder process capability

Product Compliance Disclaimer

This information is provided based on reasonable inquiry of our suppliers and represents our current actual knowledge based on the information they provided. This information is subject to change. The part numbers that TE has identified as EU RoHS compliant have a maximum concentration of 0.1% by weight in homogenous materials for lead, hexavalent chromium, mercury, PBB, PBDE, DBP, BBP, DEHP, DIBP, and 0.01% for cadmium, or qualify for an exemption to these limits as defined in the Annexes of Directive 2011/65/EU (RoHS2). Finished electrical and electronic equipment products will be CE marked as required by Directive 2011/65/EU. Components may not be CE marked. Additionally, the part numbers that TE has identified as EU ELV compliant have a maximum concentration of 0.1% by weight in homogenous materials for lead, hexavalent chromium, and mercury, and 0.01% for cadmium, or qualify for an exemption to these limits as defined in the Annexes of Directive 2000/53/EC (ELV). Regarding the REACH Regulation, the information TE provides on SVHC in articles for this part number is based on the latest European Chemicals Agency (ECHA) 'Guidance on requirements for substances in articles' posted at this URL: <https://echa.europa.eu/guidance-documents/guidance-on-reach>

## Compatible Parts

TE Part # 1-1579007-4  
EXTRACTION TOOL

TE Part # 4-1579007-3  
EXTRACTION TOOL KIT

TE Part # 63467-1  
FF 250 REC 14-10AWG TPBR

TE Part # 2150302-1  
OCEAN\_2.0\_Applicator-E-090F140F

TE Part # 2150302-2  
OCEAN\_2.0\_Applicator-E-090F140F

TE Part # 7-2150302-1  
OCEAN\_2.0\_Applicator-E-090F140F

TE Part # 7-2150302-2  
OCEAN\_2.0\_Applicator-E-090F140F

KIT  
REPRESENTATION ONLY

TE Part # 7-2150302-7  
OCEAN\_2.0\_SPARE\_PART\_KIT-090F140F

TE Part # 2-2150302-2  
OCEAN\_2.0\_Applicator-E-090F140F

## Also in the Series | FASTIN-FASTON 250



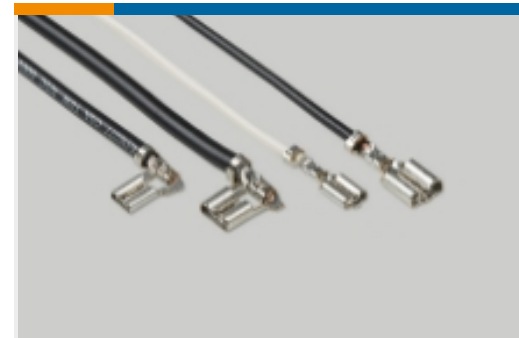
Crimp Terminal Housings(211)



Insertion &amp; Extraction Tools(2)

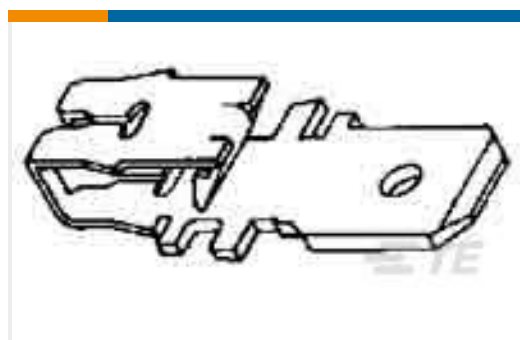
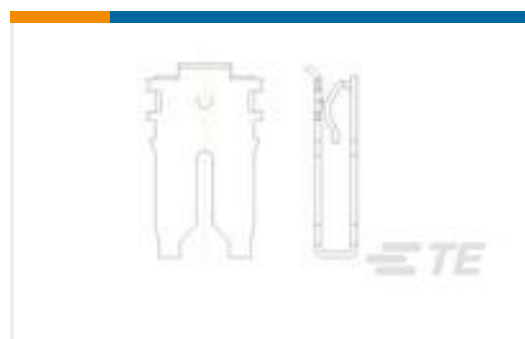


PCB Terminals(2)



Quick Disconnects(254)

## Customers Also Bought

TE Part #1-1478763-5  
METAL BACKSHELL 15 WAY 45 DETE Part #63664-2  
MAG-MATE 27-23 187 FTAB TPBRTE Part #1-1625999-5  
HSC100 1R5 5%TE Part #5-1879075-3  
THS25 5K6 5%TE Part #1742203-1  
SPEC LEAF CONT,500SER,MAG-MATETE Part #3-1414773-5  
V23145B1101A402-EV-CBOXTE Part #CD67143001  
FLT0111-1.50-5TE Part #2-2292405-0  
20P RCPT VAL-U-LOK GW BLUE

## Documents

### Product Drawings

[FF 250 REC 0.5-1.5MM2 TPBR](#)

English

### CAD Files

[3D PDF](#)

3D

Customer View Model

[ENG\\_CVM\\_CVM\\_5-160558-2\\_AN\\_c-5-160558-2-an.2d\\_dxf.zip](#)

English

Customer View Model

[ENG\\_CVM\\_CVM\\_5-160558-2\\_AN\\_c-5-160558-2-an.3d\\_igs.zip](#)

English

Customer View Model

[ENG\\_CVM\\_CVM\\_5-160558-2\\_AN\\_c-5-160558-2-an.3d\\_stp.zip](#)



English

By downloading the CAD file I accept and agree to the [Terms and Conditions](#) of use.

**Datasheets & Catalog Pages**

[1654742\\_HOUSEHOLD\\_APPLIANCES\\_RAST5](#)

English

**Product Environmental Compliance**

[Product Compliance Document](#)

English

[Product Compliance Document](#)

English