

5-160481-1 ✓ ACTIVE

FASTON

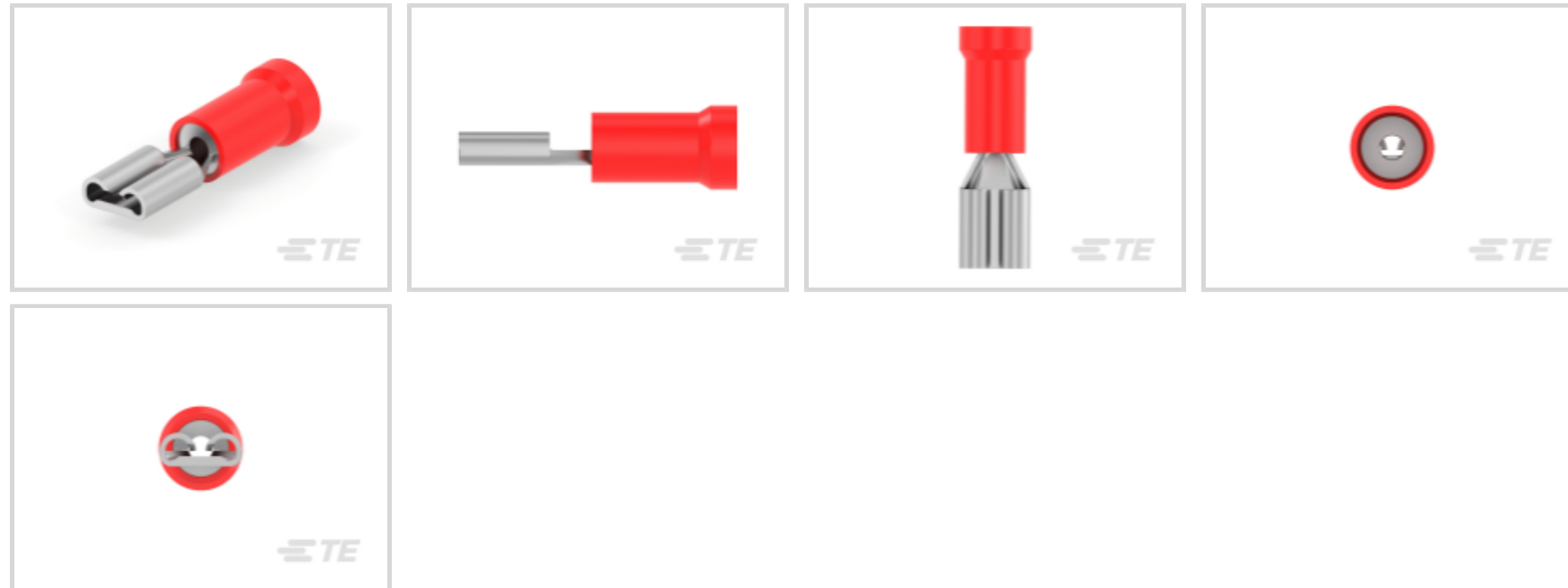
TE Internal #: 5-160481-1

Quick Disconnects, Receptacle, 22 – 16 AWG Wire Size, .3 – 1.5 mm² Wire Size, 592 – 3260 CMA Wire Size, Mating Tab Width 4.8 mm [.189 in], Straight

[View on TE.com >](#)



Terminals & Splices > Quick Disconnects



Quick Disconnect Terminal Type: **Receptacle**

Wire Size: **592 – 3260 CMA**

Mating Tab Width: **4.8 mm [.189 in]**

Features

Product Type Features

Insertion Force	Normal
-----------------	--------

Configuration Features

Connection Capacity	Single
---------------------	--------

Electrical Characteristics

Voltage Rating	300 V
----------------	-------

Body Features

Insulation Material	Nylon
---------------------	-------

Contact Features

Quick Disconnect Terminal Type	Receptacle
Mating Tab Width	4.8 mm [.189 in]
Mating Tab Thickness	.5 mm [.02 in]
Terminal Orientation	Straight
Contact Base Material	Brass
Terminal Plating Material	Tin
Crimp Type	Compression



Barrel Type	Closed
-------------	--------

Termination Features

Product Terminates To	Wire & Cable
-----------------------	--------------

Mechanical Attachment

Wire Insulation Support	With
-------------------------	------

Dimensions

Product Length	20.88 mm[.822 in]
----------------	-------------------

Compatible Insulation Diameter Range	3.56 mm[.14 in]
--------------------------------------	-----------------

Wire Size	592 – 3260 CMA
-----------	----------------

Usage Conditions

Insulation Option	Partially Insulated
-------------------	---------------------

Operating Temperature Range	105 °C[221 °F]
-----------------------------	----------------

Packaging Features

Packaging Quantity	3500
--------------------	------

Packaging Method	Tape Mounted
------------------	--------------

Other

Barrel Color	Red
--------------	-----

Product Compliance

[For compliance documentation, visit the product page on TE.com>](#)

EU RoHS Directive 2011/65/EU	Compliant
------------------------------	-----------

EU ELV Directive 2000/53/EC	Compliant
-----------------------------	-----------

China RoHS 2 Directive MIIT Order No 32, 2016	No Restricted Materials Above Threshold
---	---

EU REACH Regulation (EC) No. 1907/2006	Current ECHA Candidate List: JUNE 2023 (235) Candidate List Declared Against: JUNE 2023 (235) Does not contain REACH SVHC
--	---

Halogen Content	Low Halogen - Br, Cl, F, I < 900 ppm per homogenous material. Also BFR/CFR/PVC Free
-----------------	---

Solder Process Capability	Not applicable for solder process capability
---------------------------	--

Product Compliance Disclaimer

This information is provided based on reasonable inquiry of our suppliers and represents our current actual knowledge based on the information they provided. This information is subject to change. The part numbers that TE has identified as EU RoHS compliant have a maximum concentration of 0.1% by weight in homogenous materials for lead, hexavalent chromium, mercury, PBB, PBDE, DBP, BBP, DEHP, DIBP, and 0.01% for cadmium, or qualify for an exemption to these limits as defined in the Annexes of Directive 2011/65/EU (RoHS2). Finished electrical and electronic equipment products will be CE marked as required by Directive 2011/65/EU. Components may not be CE marked. Additionally, the part numbers that TE has identified as EU ELV compliant have a maximum concentration of 0.1% by weight in homogenous materials for lead, hexavalent chromium, and mercury, and 0.01% for cadmium, or qualify for an exemption to these limits as defined in the Annexes of Directive 2000/53/EC (ELV). Regarding the REACH Regulation, the information TE provides on SVHC in articles for this part number is based on the latest European Chemicals Agency (ECHA) 'Guidance on requirements for substances in articles' posted at this URL: <https://echa.europa.eu/guidance-documents/guidance-on-reach>

Compatible Parts



REPRESENTATION ONLY

TE Part # 47386-4
DAHT PG PIDG 26-16 ASSY



TE Part # 58423-1
DIE, RBY IS9252



TE Part # 58433-3
PRO CR ASSY, RBY IS9252



TE Part # 539691-2
ERGO DIE R.B.Y



REPRESENTATION ONLY

TE Part # 90035-3
DAHT PIDG FASTON 22-18 ASSY

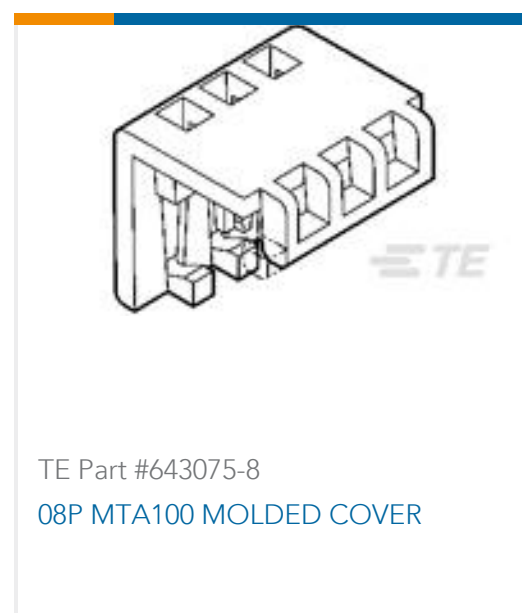


TE Part # 1SET191001R0000
CRIMP-HT

Customers Also Bought



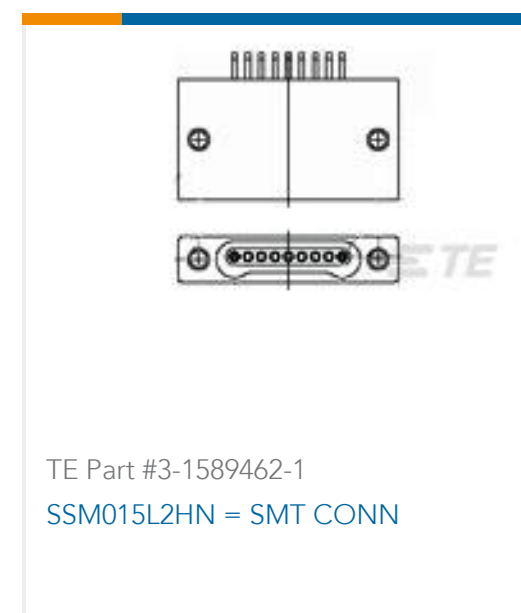
TE Part #6609013-1
6EH4=F7287 S0



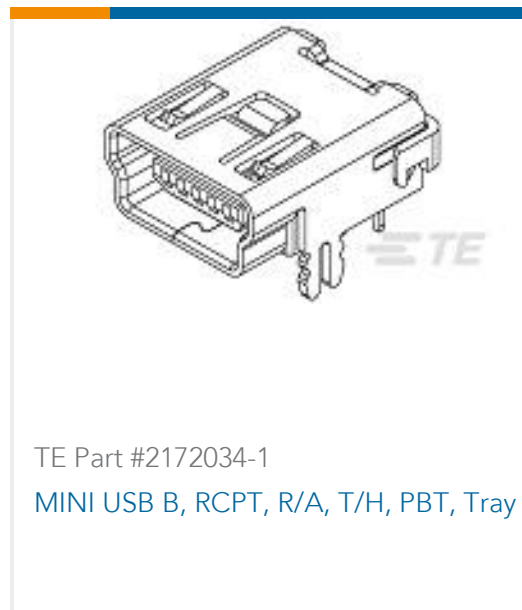
TE Part #643075-8
08P MTA100 MOLDED COVER



TE Part #3-641534-3
MTA Receptacle: Nylon, Tin Plated,
2.54 mm



TE Part #3-1589462-1
SSM015L2HN = SMT CONN



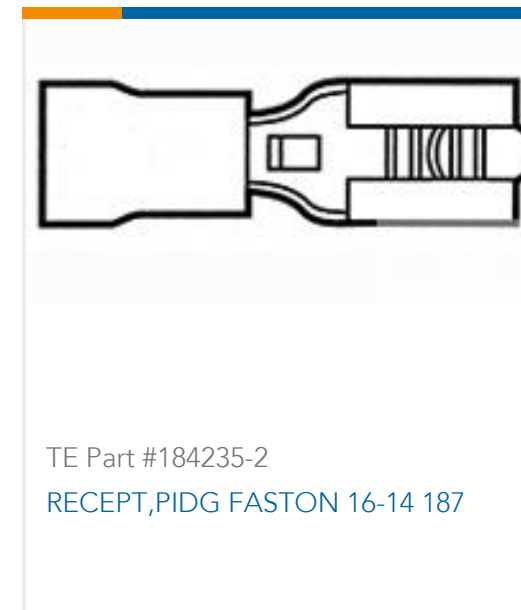
TE Part #2172034-1
MINI USB B, RCPT, R/A, T/H, PBT, Tray



TE Part #5-146280-5
05 MODII HDR SRST B/A .100CL



TE Part #E87437-000
HW-508095-5-9



TE Part #184235-2
RECEPT, PIDG FASTON 16-14 187



TE Part #1355930-2
BU-GEH 36P, HELLBLAU

Documents

Product Drawings

187 PIDG FASTON REC

English

CAD Files

3D PDF

English

Customer View Model

[ENG_CVM_5-160481-1_K.2d_dxf.zip](#)

English

Customer View Model

[ENG_CVM_5-160481-1_K.3d_igs.zip](#)

English

Customer View Model

[ENG_CVM_5-160481-1_K.3d_stp.zip](#)

English

3D PDF

3D

Customer View Model

[ENG_CVM_CVM_5-160481-1_M.2d_dxf.zip](#)

English

Customer View Model

[ENG_CVM_CVM_5-160481-1_M.3d_igs.zip](#)

English

Customer View Model

[ENG_CVM_CVM_5-160481-1_M.3d_stp.zip](#)

English



By downloading the CAD file I accept and agree to the [Terms and Conditions](#) of use.

Datasheets & Catalog Pages

[PIDG Terminals and Splices Quick Reference Guide](#)

English

Product Environmental Compliance

[TE Material Declaration](#)

English