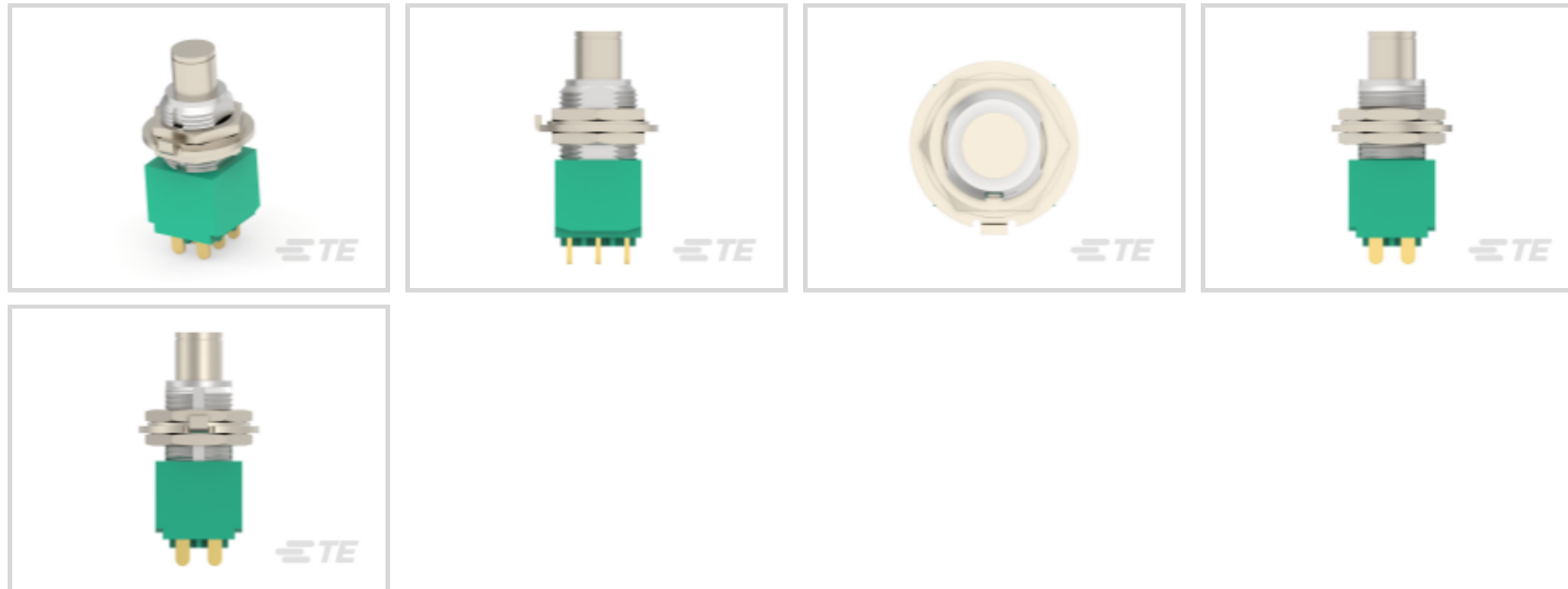




Relays, Contactors & Switches > Switches > Push Button Switches



Configuration (Pole-Throw): **Double Pole - Double Throw**

Push Button Switch Product Type: **Switch**

Number of Actuators: **Single**

Actuator Profile: **Extended**

Bushing Style: **Threaded**

## Features

### Product Type Features

Switch Type	Pushbutton
Dust Proof	No
Push Button Switch Product Type	Switch
Illuminated	No
Actuator Style	Cap - Supplied

### Configuration Features

ESD Grounding Terminal	Without
Ganged	No
Configuration (Pole-Throw)	Double Pole - Double Throw
Number of Actuators	Single
Snap Action	Without
Support Bracket	Without
Tactile	No
Operating Function	Push-On/Push-Off



### Electrical Characteristics

Push Button Switch Voltage Rating	28 VDC
-----------------------------------	--------

### Body Features

Actuator Force	590 – 1224 g[20.8 – 43.18 oz]
Case Material	Thermoset
Actuator Material	Phenol Resin
Actuator Profile	Extended
Bushing Style	Threaded
Bushing Thread Size	15/32
Actuator Color	Black

### Contact Features

Contact Base Material	Silver Clad Copper
Push Button Switch Contact Current Rating	6 A
Switch Contact Plating Material	Silver Clad with Gold Flash

### Termination Features

Termination Type	Wire Lugs
------------------	-----------

### Mechanical Attachment

Mounting Angle	Vertical
Thread Size	15/32-32 UNS-2A
Push Button Switch Mounting Type	Panel

### Housing Features

Low Profile	No
Process Sealed	No

### Dimensions

Cap Height	3.5 mm[.138 in]
Actuator Length	8 mm[.315 in]
Cap Diameter	8.99 mm[.354 in]

### Usage Conditions

Temperature Rating	Standard
--------------------	----------

### Packaging Features

Packaging Method	Bulk
------------------	------



Other

Comment	Black cap is supplied., Other cap colors available (cap model C9).
---------	--

Product Compliance

[For compliance documentation, visit the product page on TE.com>](#)

EU RoHS Directive 2011/65/EU	Compliant with Exemptions
EU ELV Directive 2000/53/EC	Compliant with Exemptions
China RoHS 2 Directive MIIT Order No 32, 2016	Restricted Materials Above Threshold
EU REACH Regulation (EC) No. 1907/2006	Current ECHA Candidate List: JUNE 2023 (235) Candidate List Declared Against: JAN 2023 (233) SVHC > Threshold: 1,6,7,8,9,14,15,16,17,17,18,18-dodecachloropentacyclo [12.2.1.16,9.02,13.05,10]octadeca-7,15-diene (Dechlorane Plus) (.11% in Component Part) Pb (3.9% in Component Part) <b>Article Safe Usage Statements:</b> Do not eat, drink or smoke when using this product. Wash thoroughly after handling. Do not handle until all safety precautions have been read and understood. Recycle if possible and dispose of the article by following all applicable governmental regulations relevant to your geographic location.
Halogen Content	Not Low Halogen - contains Br or Cl > 900 ppm.
Solder Process Capability	Wave solder capable to 240°C

Product Compliance Disclaimer

This information is provided based on reasonable inquiry of our suppliers and represents our current actual knowledge based on the information they provided. This information is subject to change. The part numbers that TE has identified as EU RoHS compliant have a maximum concentration of 0.1% by weight in homogenous materials for lead, hexavalent chromium, mercury, PBB, PBDE, DBP, BBP, DEHP, DIBP, and 0.01% for cadmium, or qualify for an exemption to these limits as defined in the Annexes of Directive 2011/65/EU (RoHS2). Finished electrical and electronic equipment products will be CE marked as required by Directive 2011/65/EU. Components may not be CE marked. Additionally, the part numbers that TE has identified as EU ELV compliant have a maximum concentration of 0.1% by weight in homogenous materials for lead, hexavalent chromium, and mercury, and 0.01% for cadmium, or qualify for an exemption to these limits as defined in the Annexes of Directive 2000/53/EC (ELV). Regarding the REACH Regulation, the information TE provides on SVHC in articles for this part number is based on the latest European Chemicals Agency (ECHA) 'Guidance on requirements for substances in articles' posted at this URL: <https://echa.europa.eu/guidance-documents/guidance-on-reach>

Compatible Parts



TE Part # 4-1437567-9  
MPG106D=(MSPG) SWITCH  
PUSHBUTT



TE Part # 2-1437567-9  
MPA106F=SWITCH P/B MOM SPDT



TE Part # 4-1437567-5  
MPE206R=(MSPE) SW P/B WATERPRO




TE Part # 3-1437567-3  
MPA206R=SW P/B MOM DPDT



TE Part # 4-1437567-3  
MPE106F=SWITCH PUSH BUTTON  
WAT

Also in the Series | Alcoswitch MPG



Push Button Switches(9)

Customers Also Bought



TE Part #440129-8  
2.0MM,HSG,8POS



TE Part #640456-4  
04P MTA100 HDR ASSY F/L SQ STR



TE Part #4-1437567-9  
MPG106D=(MSPG) SWITCH  
PUSHBUTT



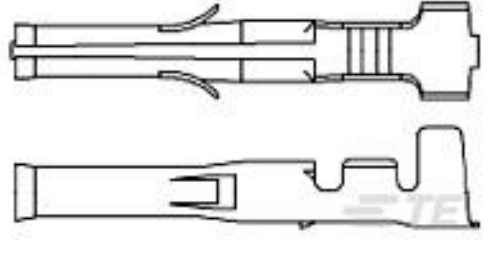
TE Part #5-1437567-3  
MPG206R=(MSPG) SW PUSHBUTTON



TE Part #2-1419130-4  
TSC-112L3H,000



TE Part #770442-1  
04P .062 COMM P&S RECPT



TE Part #794016-1  
.062 CP&S SOK PTPBR L/P 24-18



TE Part #1423682-1  
27E1064=SOCKET,PCB,T7C/T7N



TE Part #ASL606-05SN-HE  
PLUG ASSY. AS MICRO MK3.



TE Part #5-1437567-0  
MPG106F=(MSPG) SWITCH  
PUSHBUTTON

## Documents

### Product Drawings

[MPG206N=SWITCH PUSHBUTTON](#)

English

### CAD Files

[3D PDF](#)

3D

Customer View Model

[ENG\\_CVM\\_CVM\\_5-1437567-1\\_D.2d\\_dxf.zip](#)

English

Customer View Model

[ENG\\_CVM\\_CVM\\_5-1437567-1\\_D.3d\\_igs.zip](#)

English

Customer View Model

[ENG\\_CVM\\_CVM\\_5-1437567-1\\_D.3d\\_stp.zip](#)

English

By downloading the CAD file I accept and agree to the [Terms and Conditions](#) of use.

### Datasheets & Catalog Pages

[2-1773458-6\\_GREEN\\_SERIES\\_SWITCHES](#)

English