



SCHRACK | SCHRACK Accessories Miniature Relay PT

TE Internal #: 5-1419111-9

Relay Accessories, Sockets & Clips, Accessory, Stainless Steel, Miniature Relays, Metal Retaining Clip, SCHRACK Accessories Miniature Relay PT

[View on TE.com >](#)

Relays, Contactors & Switches > Relays > Relay Accessories, Sockets & Clips



Relay Accessory, Socket & Clip Product Type: **Accessory**

Grounding Provision: **Without**

Relay Accessory, Socket & Clip Body Material: **Stainless Steel**

Relay Accessory, Socket & Clip For Use With: **Miniature Relays**

Relay Accessory Type: **Metal Retaining Clip**

Features

Product Type Features

Relay Accessory, Socket & Clip Product Type	Accessory
Relay Accessory Type	Metal Retaining Clip

Configuration Features

Grounding Provision	Without
---------------------	---------

Body Features

Relay Accessory, Socket & Clip Body Material	Stainless Steel
--	-----------------

Operation/Application

Relay Accessory, Socket & Clip For Use With	Miniature Relays
---	------------------

Product Compliance

[For compliance documentation, visit the product page on TE.com>](#)

EU RoHS Directive 2011/65/EU	Compliant
EU ELV Directive 2000/53/EC	Compliant
China RoHS 2 Directive MIIT Order No 32, 2016	No Restricted Materials Above Threshold
EU REACH Regulation (EC) No. 1907/2006	Current ECHA Candidate List: JUNE 2023 (235) Candidate List Declared Against: JUNE 2023 (235) Does not contain REACH SVHC

Halogen Content

Low Halogen - Br, Cl, F, I < 900 ppm per homogenous material. Also BFR/CFR/PVC Free

Solder Process Capability

Not applicable for solder process capability

Product Compliance Disclaimer

This information is provided based on reasonable inquiry of our suppliers and represents our current actual knowledge based on the information they provided. This information is subject to change. The part numbers that TE has identified as EU RoHS compliant have a maximum concentration of 0.1% by weight in homogenous materials for lead, hexavalent chromium, mercury, PBB, PBDE, DBP, BBP, DEHP, DIBP, and 0.01% for cadmium, or qualify for an exemption to these limits as defined in the Annexes of Directive 2011/65/EU (RoHS2). Finished electrical and electronic equipment products will be CE marked as required by Directive 2011/65/EU. Components may not be CE marked. Additionally, the part numbers that TE has identified as EU ELV compliant have a maximum concentration of 0.1% by weight in homogenous materials for lead, hexavalent chromium, and mercury, and 0.01% for cadmium, or qualify for an exemption to these limits as defined in the Annexes of Directive 2000/53/EC (ELV). Regarding the REACH Regulation, the information TE provides on SVHC in articles for this part number is based on the latest European Chemicals Agency (ECHA) 'Guidance on requirements for substances in articles' posted at this URL: <https://echa.europa.eu/guidance-documents/guidance-on-reach>

Compatible Parts



TE Part # 7-1415002-1
PT370R24



TE Part # 5-1415026-1
PT580L24



TE Part # 9-1419111-0
PT570615



TE Part # 1415526-1
PT78722



TE Part # 8-1419111-8
PT570548



TE Part # 8-1419111-1
PT570048



TE Part # 8-1419111-0
PT570012



TE Part # 6-1415034-1
PT78720



TE Part # 8-1419132-9
PT580615



TE Part # 6-1419111-9
PT370730



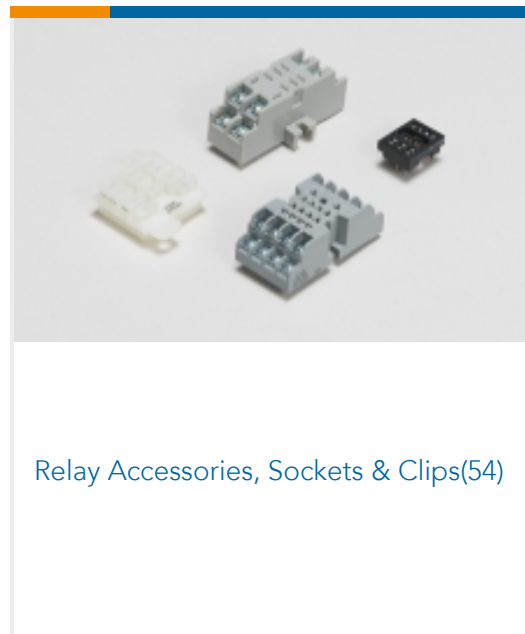
TE Part # 1-1415526-1
PT78742



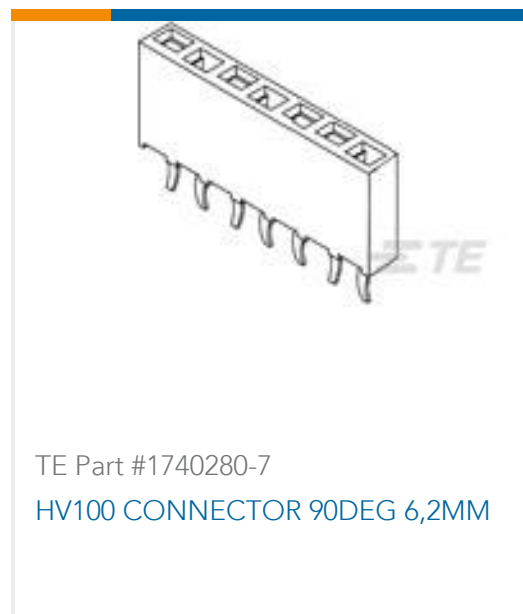
TE Part # 1-1393154-7
PT580024



Also in the Series | SCHRACK Accessories Miniature Relay PT



Customers Also Bought





Documents

CAD Files

3D PDF

3D

Customer View Model

[ENG_CVM_CVM_5-1419111-9_A1.2d_dxf.zip](#)

English

Customer View Model

[ENG_CVM_CVM_5-1419111-9_A1.3d_igs.zip](#)

English

Customer View Model

[ENG_CVM_CVM_5-1419111-9_A1.3d_stp.zip](#)

English

By downloading the CAD file I accept and agree to the [Terms and Conditions](#) of use.

Datasheets & Catalog Pages

[Accessories - Miniature Relay PT](#)

English

Product Specifications

[Definitions General Purpose Relays](#)

English