

5-100526-9 ✓ ACTIVE

Z-PACK | Z-PACK 2mm HM

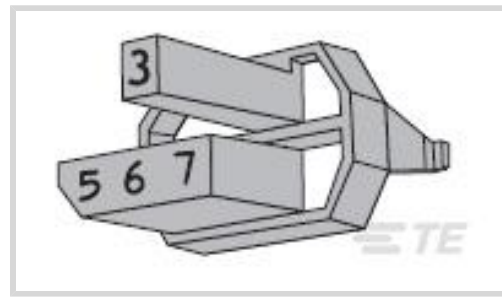
TE Internal #: 5-100526-9

Backplane Coding Keys, Receptacle, Coding Key Number 1258, Z-PACK 2mm HM

[View on TE.com >](#)



Connectors > PCB Connectors > Backplane Connectors > Backplane Coding Keys



Compatible With Connector Style: **Receptacle**

Coding Key Number: **1258**

Features

Body Features

Coding Key Color	Slate Gray
------------------	------------

Usage Conditions

Compatible With Backplane Connector Type	Type A, Type D, Type L, Type M
--	--------------------------------

Compatible With Connector Style	Receptacle
---------------------------------	------------

Packaging Features

Packaging Quantity	500
--------------------	-----

Packaging Method	Bag
------------------	-----

Other

Coding Key Number	1258
-------------------	------

Product Compliance

[For compliance documentation, visit the product page on TE.com>](#)

EU RoHS Directive 2011/65/EU	Compliant
------------------------------	-----------

EU ELV Directive 2000/53/EC	Compliant
-----------------------------	-----------

China RoHS 2 Directive MIIT Order No 32, 2016	No Restricted Materials Above Threshold
---	---

EU REACH Regulation (EC) No. 1907/2006	Current ECHA Candidate List: JUNE 2023 (235) Candidate List Declared Against: JUL 2021 (219) Does not contain REACH SVHC
--	--

Halogen Content	Low Halogen - Br, Cl, F, I < 900 ppm per homogenous material. Also BFR/CFR/PVC Free
-----------------	---

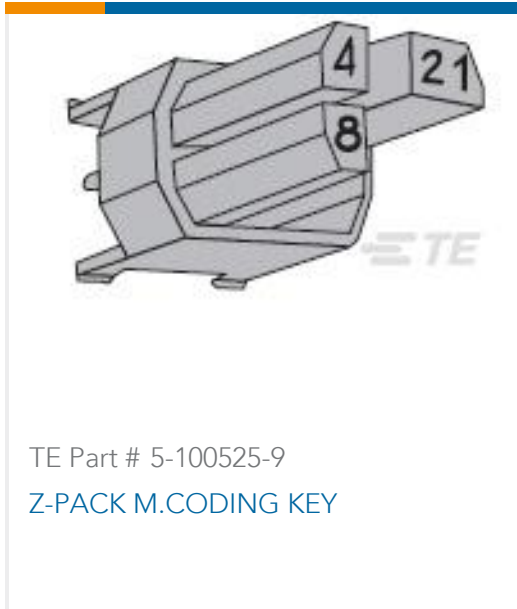
Solder Process Capability

Not applicable for solder process capability

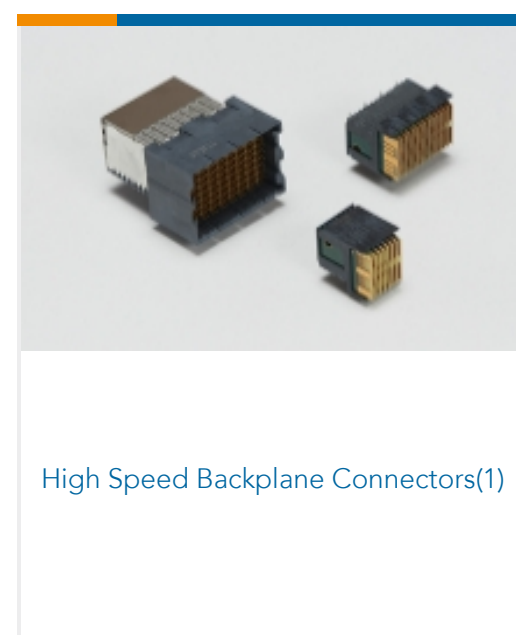
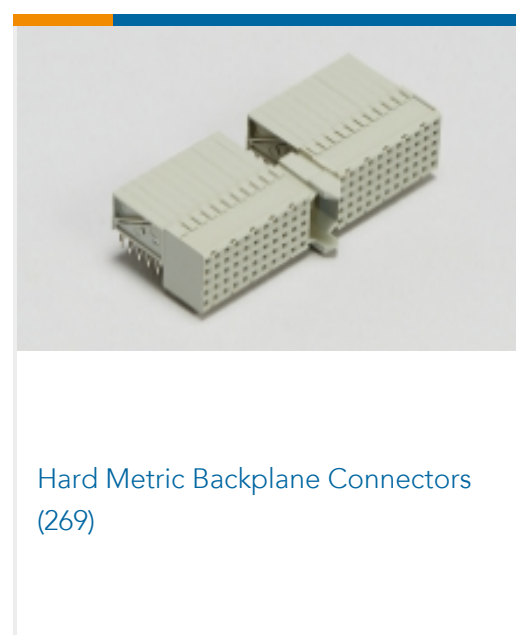
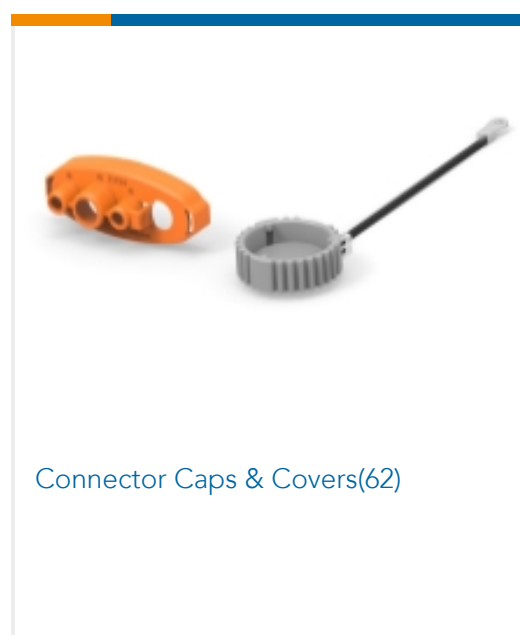
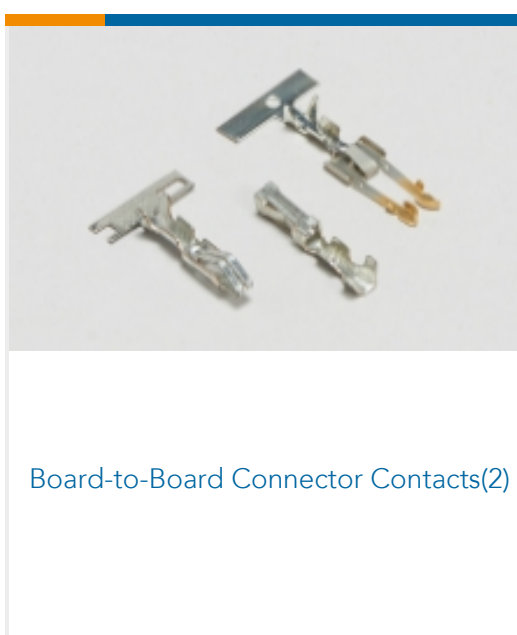
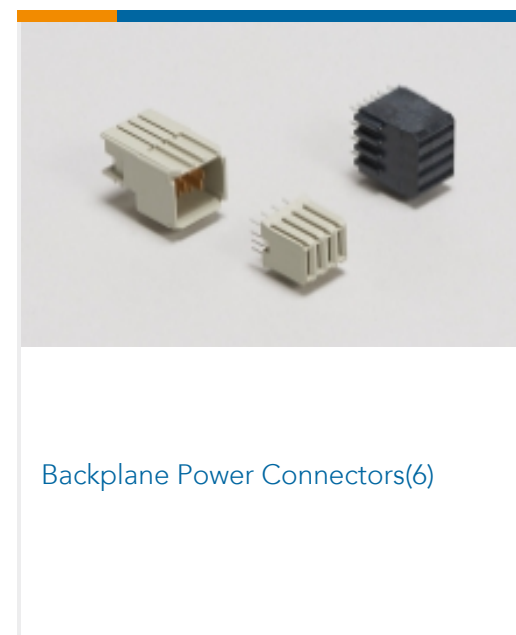
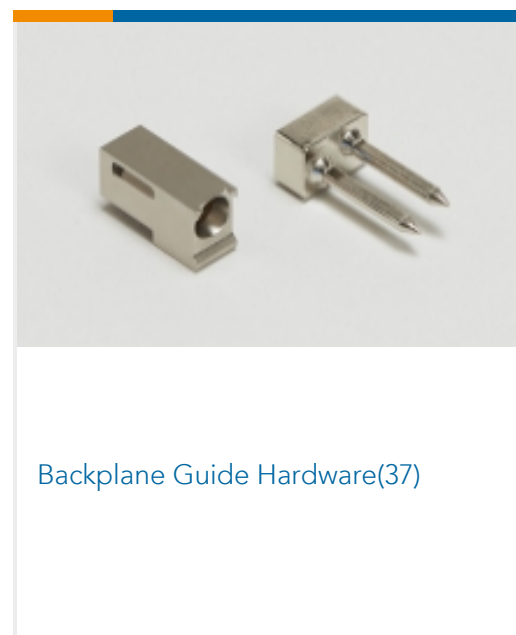
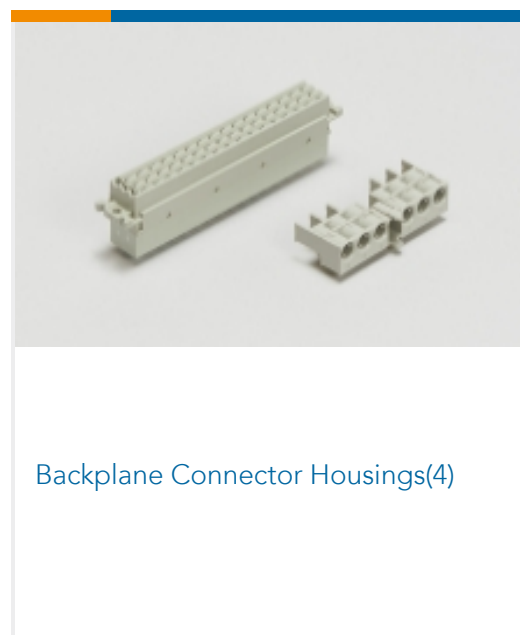
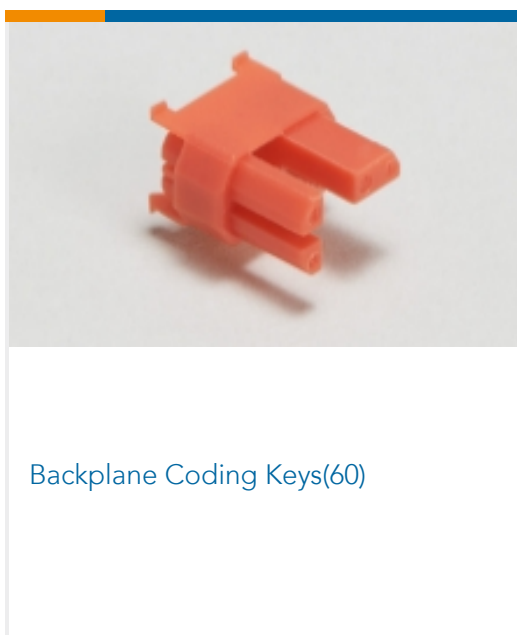
Product Compliance Disclaimer

This information is provided based on reasonable inquiry of our suppliers and represents our current actual knowledge based on the information they provided. This information is subject to change. The part numbers that TE has identified as EU RoHS compliant have a maximum concentration of 0.1% by weight in homogenous materials for lead, hexavalent chromium, mercury, PBB, PBDE, DBP, BBP, DEHP, DIBP, and 0.01% for cadmium, or qualify for an exemption to these limits as defined in the Annexes of Directive 2011/65/EU (RoHS2). Finished electrical and electronic equipment products will be CE marked as required by Directive 2011/65/EU. Components may not be CE marked. Additionally, the part numbers that TE has identified as EU ELV compliant have a maximum concentration of 0.1% by weight in homogenous materials for lead, hexavalent chromium, and mercury, and 0.01% for cadmium, or qualify for an exemption to these limits as defined in the Annexes of Directive 2000/53/EC (ELV). Regarding the REACH Regulation, the information TE provides on SVHC in articles for this part number is based on the latest European Chemicals Agency (ECHA) 'Guidance on requirements for substances in articles' posted at this URL: <https://echa.europa.eu/guidance-documents/guidance-on-reach>

Compatible Parts



Also in the Series | Z-PACK 2mm HM





Insertion & Extraction Tools(2)

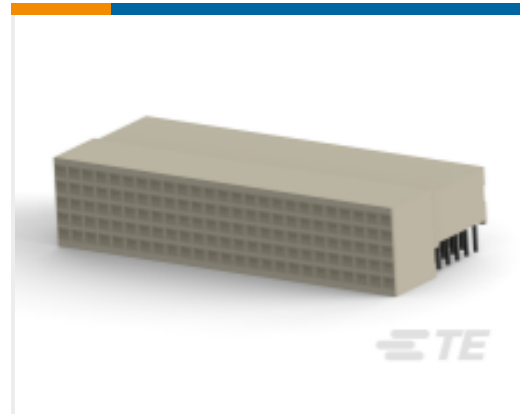


Rectangular Power Connectors(87)

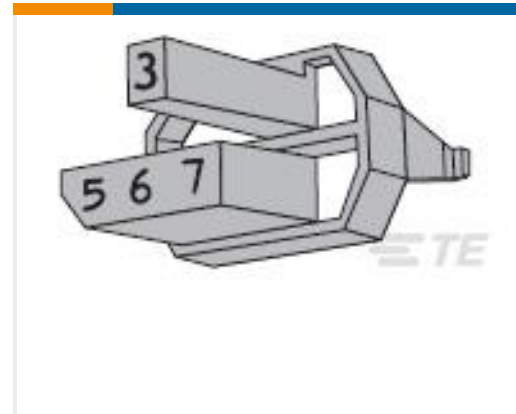
Customers Also Bought



TE Part #2102061-1
Mezalok, Socket, 114 p, 10 mm, 50 Au, TL



TE Part #5352171-1
HM Receptacle Connector: Traditional Backplane, Coplanar, 2mm



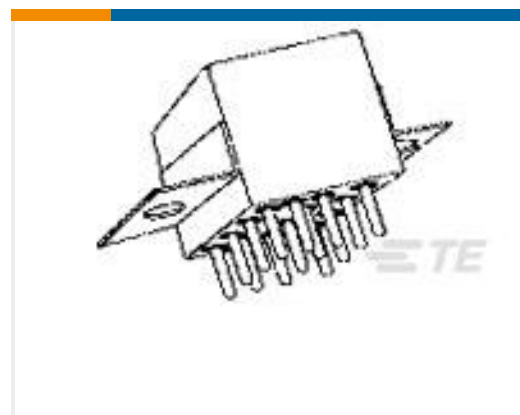
TE Part #5-100526-4
CODING DEV INSRT COLOR GREEN



TE Part #2-2176308-0
RP 1E 0.1W 210K 0.1% 25PPM 5K RL



TE Part #2-87631-6
30 MODIV HSG DR MRKD .100 POL



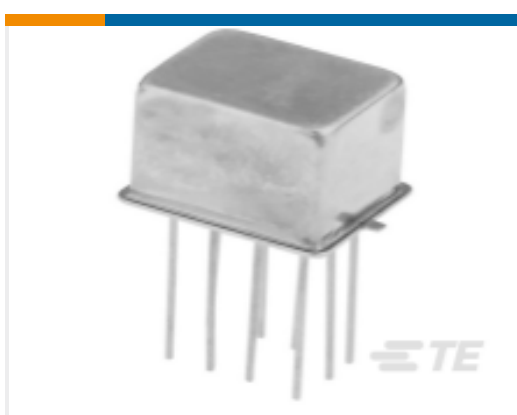
TE Part #7-1617760-7
FCB-405-0617M=M83536/6-017M



TE Part #3-1617118-1
J1MACDD-26XM = M39016/24-030M



TE Part #2-767004-2
MICT,RECPT,038,ASSY,.025,REC



TE Part #9-1617591-5
JMGAT-18MW=M28776/6-011M

Documents

[Product Drawings](#)
[Z-PACK F.CODING KEY](#)

English

CAD Files

[3D PDF](#)

3D

[Customer View Model](#)

[ENG_CVM_CVM_5-100526-9_E.2d_dxf.zip](#)



English

Customer View Model

[ENG_CVM_CVM_5-100526-9_E.3d_igs.zip](#)

English

Customer View Model

[ENG_CVM_CVM_5-100526-9_E.3d_stp.zip](#)

English

By downloading the CAD file I accept and agree to the [Terms and Conditions](#) of use.

Product Specifications

[Application Specification](#)

English

Product Environmental Compliance

[TE Material Declaration](#)

English