

487544-5 ✓ ACTIVE

TE Internal #: 487544-5

FFC Connectors, Housing, Wire-to-Board, 8 Position, 1.27 mm [.05 in] Centerline, 1 Row, Socket, Package, Mating Retention, Normal, Straight, Black

[View on TE.com >](#)



Connectors > PCB Connectors > Wire-to-Board Connectors > FFC, FPC & Ribbon Connectors > FFC Connectors > FFC Receptacle Housing: 1.27mm



FFC Connector Product Type: **Housing**

Connector System: **Wire-to-Board**

Number of Positions: **8**

Centerline (Pitch): **1.27 mm [.05 in]**

Number of Rows: **1**

[All FFC Receptacle Housing: 1.27mm \(52\)](#)

Features

Product Type Features

Connector & Housing Type	Receptacle
FFC Connector Product Type	Housing
Connector System	Wire-to-Board
Connector & Contact Terminates To	Wire & Cable
Insertion Force Type	Normal

Configuration Features

Number of Positions	8
Number of Rows	1

Electrical Characteristics

Dielectric Withstanding Voltage (Max)	300 VAC
Insulation Resistance	5000 MΩ
Operating Voltage	100 VAC

Body Features



Primary Product Color	Black
-----------------------	-------

Contact Features

Contact Type	Socket
--------------	--------

Mechanical Attachment

Mating Retention Type	Detent Window
-----------------------	---------------

Mating Retention	With
------------------	------

Mating Alignment	Without
------------------	---------

Panel Mount Feature	Without
---------------------	---------

Connector Mounting Type	Cable Mount (Free-Hanging)
-------------------------	----------------------------

Housing Features

Housing Material	Polyester
------------------	-----------

Centerline (Pitch)	1.27 mm [.05 in]
--------------------	------------------

FFC Cable Entry	Straight
-----------------	----------

Usage Conditions

Operating Temperature Range	-55 – 105 °C [-67 – 221 °F]
-----------------------------	-----------------------------

Operation/Application

Circuit Application	Signal
---------------------	--------

Industry Standards

UL Flammability Rating	UL 94V-0
------------------------	----------

Packaging Features

Packaging Quantity	1
--------------------	---

Packaging Method	Package
------------------	---------

Other

Wire-to-Board Connector Comment	Note 1: Plain housings are side-to-side stackable on either straight or right-angle post, unshrouded AMPMODU System 50 headers, Note 2: For end-to-end stacking, the posts located between the adjoining housings must be removed to provide housing end clearance
---------------------------------	--

Product Compliance

For compliance documentation, visit the product page on [TE.com](https://www.te.com)>

EU RoHS Directive 2011/65/EU	Compliant
------------------------------	-----------



EU ELV Directive 2000/53/EC	Compliant
China RoHS 2 Directive MIIT Order No 32, 2016	No Restricted Materials Above Threshold
EU REACH Regulation (EC) No. 1907/2006	Current ECHA Candidate List: JUNE 2023 (235) Candidate List Declared Against: JUNE 2023 (235) Does not contain REACH SVHC
Halogen Content	Not Low Halogen - contains Br or Cl > 900 ppm.
Solder Process Capability	Not applicable for solder process capability

Product Compliance Disclaimer

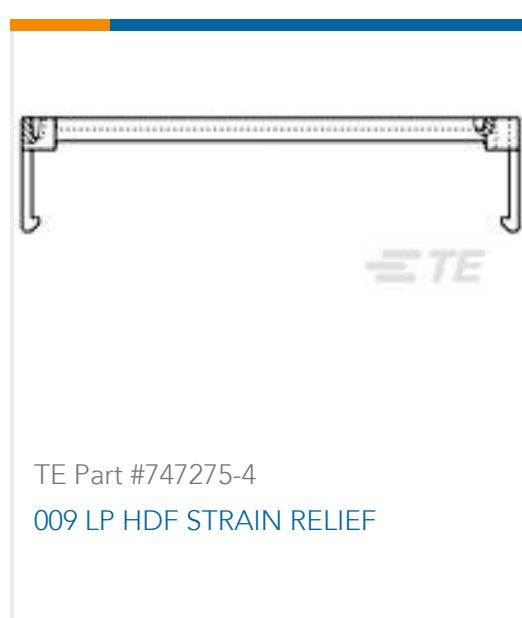
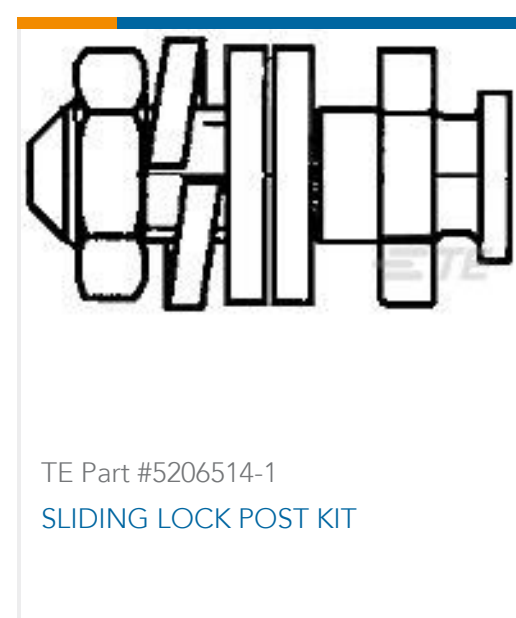
This information is provided based on reasonable inquiry of our suppliers and represents our current actual knowledge based on the information they provided. This information is subject to change. The part numbers that TE has identified as EU RoHS compliant have a maximum concentration of 0.1% by weight in homogenous materials for lead, hexavalent chromium, mercury, PBB, PBDE, DBP, BBP, DEHP, DIBP, and 0.01% for cadmium, or qualify for an exemption to these limits as defined in the Annexes of Directive 2011/65/EU (RoHS2). Finished electrical and electronic equipment products will be CE marked as required by Directive 2011/65/EU. Components may not be CE marked. Additionally, the part numbers that TE has identified as EU ELV compliant have a maximum concentration of 0.1% by weight in homogenous materials for lead, hexavalent chromium, and mercury, and 0.01% for cadmium, or qualify for an exemption to these limits as defined in the Annexes of Directive 2000/53/EC (ELV). Regarding the REACH Regulation, the information TE provides on SVHC in articles for this part number is based on the latest European Chemicals Agency (ECHA) 'Guidance on requirements for substances in articles' posted at this URL: <https://echa.europa.eu/guidance-documents/guidance-on-reach>

Compatible Parts

 <p>TE Part # CAT-F439-S01339127 1.27mm FFC Connectors Socket Contacts</p>	 <p>TE Part # 6-104074-0 08 SYSTEM 50 HDR SRRA SHRD SN</p>	 <p>TE Part # 6-104071-0 08 SYSTEM 50 HDR SRST SHRD SN</p>	 <p>TE Part # 1-104074-0 08 SYSTEM 50 HDR SRRA SHRD</p>
 <p>TE Part # 5-104178-5 08 SYS 50 HDR SRST UNSHRD SN</p>	 <p>TE Part # 5-104186-5 08 SYS 50 HDR SRRA UNSHRD SN</p>	 <p>TE Part # 1-104071-0 08 SYSTEM 50 HDR SRST SHRD</p>	 <p>TE Part # 104178-5 08 SYSTEM 50 HDR SRST UNSHRD</p>



Customers Also Bought



Documents

Product Drawings

008 HOUSING FFC RCPT 050CL SR

English

CAD Files

3D PDF

3D

Customer View Model

ENG_CVM_CVM_487544-5_Z.2d_dxf.zip



English

Customer View Model

[ENG_CVM_CVM_487544-5_Z.3d_igs.zip](#)

English

Customer View Model

[ENG_CVM_CVM_487544-5_Z.3d_stp.zip](#)

English

By downloading the CAD file I accept and agree to the [Terms and Conditions](#) of use.

Datasheets & Catalog Pages

[AMPMODU_INTERCONNECTION_SYSTEM_SECTION3AND4](#)

English

Product Specifications

[Application Specification](#)

English

[Application Specification](#)

English