

4816334002 ✓ ACTIVE

RAYCHEM

TE Internal #: 4816334002

Black, 2:1, Single Wall Tubing, Shrinks To .094 in [2.4 mm],
Crosslinked Elastomer, .189 in [4.8 mm] Inner Diameter, Flame-
Retardant, Spool

[View on TE.com >](#)



Heat Shrink Tubing > Single Thin Wall DR 25 TW Heat Shrink Tubing 2:1 Shrink Ratio



Primary Product Color: **Black**

Wall Type: **Single Wall**

Expanded Inside Diameter (Min): **4.8 mm [.189 in]**

Recovered Inside Diameter (Max): **2.4 mm [.094 in]**

Shrink Ratio: **2:1**

[All Single Thin Wall DR 25 TW Heat Shrink Tubing 2:1 Shrink Ratio \(10\)](#)

Features

Product Type Features

Wall Type	Single Wall
-----------	-------------

Body Features

Fluid Type	Aviation Fuel, Brake Fluid, Diesel Fuel, Hydraulic Fluid, Lubricating Oil, Water
Material Systems Code	25
Primary Product Color	Black
Shrink Ratio	2:1
Primary Product Material	Crosslinked Elastomer
Flexibility	Very Flexible

Dimensions

Recovered Wall Thickness (Nominal)	.51 mm[.02 in]
Expanded Inside Diameter (Min)	4.8 mm[.189 in]
Recovered Inside Diameter (Max)	2.4 mm[.094 in]
Tubing Size Range	2.4 – 4.8 mm[.094 – .189 in]

Usage Conditions

Shrink Temperature (Min)	175 °C
Tubing Flammability Type	Flame-Retardant



Operating Temperature Range	-75 – 150 °C
-----------------------------	--------------

Recovery Temperature	175 °C
----------------------	--------

Operation/Application

Mechanical Resistance	Abrasion, Fluids, Mechanical Damage, Strain Relief
-----------------------	--

Product Availability

Applicable Region	Global
-------------------	--------

Packaging Features

Packaging Method	Spool
------------------	-------

Other

Meets Low Outgassing Requirements	No
-----------------------------------	----

Product Source	Czech Republic
----------------	----------------

Product Compliance

[For compliance documentation, visit the product page on TE.com>](#)

EU RoHS Directive 2011/65/EU	Compliant
------------------------------	-----------

EU ELV Directive 2000/53/EC	Compliant
-----------------------------	-----------

China RoHS 2 Directive MIIT Order No 32, 2016	No Restricted Materials Above Threshold
---	---

EU REACH Regulation (EC) No. 1907/2006	Current ECHA Candidate List: JUNE 2023 (235) Candidate List Declared Against: JUNE 2023 (235) Does not contain REACH SVHC
--	---

Halogen Content	Not Low Halogen - contains Br or Cl > 900 ppm.
-----------------	--

Solder Process Capability	Not applicable for solder process capability
---------------------------	--

Product Compliance Disclaimer

This information is provided based on reasonable inquiry of our suppliers and represents our current actual knowledge based on the information they provided. This information is subject to change. The part numbers that TE has identified as EU RoHS compliant have a maximum concentration of 0.1% by weight in homogenous materials for lead, hexavalent chromium, mercury, PBB, PBDE, DBP, BBP, DEHP, DIBP, and 0.01% for cadmium, or qualify for an exemption to these limits as defined in the Annexes of Directive 2011/65/EU (RoHS2). Finished electrical and electronic equipment products will be CE marked as required by Directive 2011/65/EU. Components may not be CE marked. Additionally, the part numbers that TE has identified as EU ELV compliant have a maximum concentration of 0.1% by weight in homogenous materials for lead, hexavalent chromium, and mercury, and 0.01% for cadmium, or qualify for an exemption to these limits as defined in the Annexes of Directive 2000/53/EC (ELV). Regarding the REACH Regulation, the information TE provides on SVHC in articles for this part number is based on the latest European Chemicals Agency (ECHA) 'Guidance on requirements for substances in articles' posted at this URL: <https://echa.europa.eu/guidance-documents/guidance-on-reach>

Compatible Parts



TE Part # EG1118-000
CV1981-ST-120V1600W-US



TE Part # 991973-000
PR-12-REFLECTOR



TE Part # EG1120-000
CV1981-ST-120V1600W-UK



TE Part # EG1115-000
CV1981-ST-230V1600W-CH



TE Part # EG1114-000
CV1981-ST-230V1600W-EU

Customers Also Bought



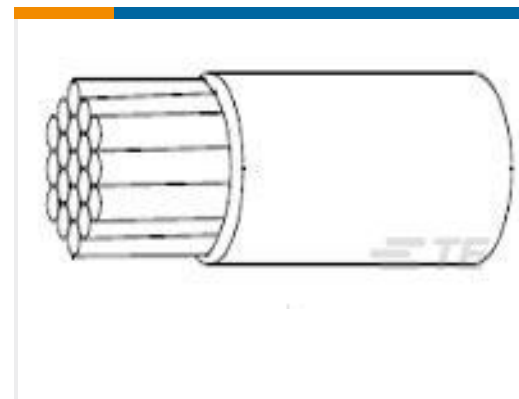
TE Part #5750464002
Single Thin Wall DR 25 TW Heat Shrink
Tubing 2:1 Shrink Ratio



TE Part #323170
TERMINAL,SOLIS R HR 6 1/4



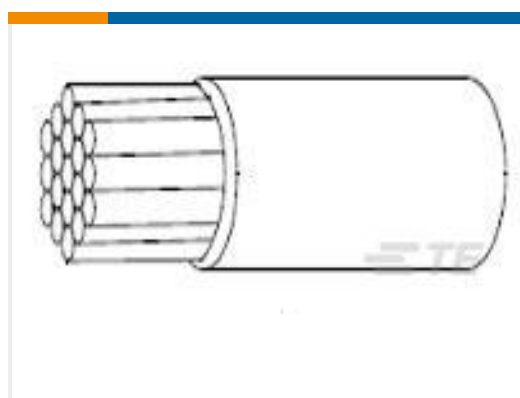
TE Part #CF0519-000
203W301-25-G12/225-0



TE Part #CT81223001
55A0111-26-9CK0300



TE Part #100P160-13-1-B-EO
100P160-13-1-B-EO



TE Part #CQ04133001
55A0111-22-9CK0300



TE Part #ZPF000000000113362
DTB-PR 13

Documents

[Product Drawings](#)
[DR-25-TW-3/16-0-SP](#)

English

[DR-25-TW-3/16-0-SP](#)

English

[Datasheets & Catalog Pages](#)



[raychem-tubing-product-selection-guide](#)

English

[1654025_Sec3_DR-25-TW](#)

English

Product Specifications

[DR-25-TW SLEEVING](#)

English

Product Environmental Compliance

[Safety Datasheet](#)

English

[Safety Datasheet](#)

English

[Safety Datasheet](#)

German

[Safety Datasheet](#)

[Safety Datasheet](#)

French

[Safety Datasheet](#)

[Safety Datasheet](#)

[Safety Datasheet](#)