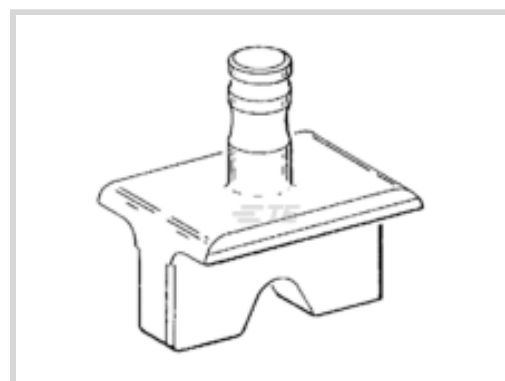




Application Tooling > Hand Crimping Tools



Tool Grade: **Premium Crimp Tooling**

Die Sets Type: **Removable/Interchangeable**

Specification Type: **MIL Spec, TE Product Specification (114-)**

TE Certification: **Cannot be Certified**

Power Technology Type: **Battery, Hydraulic, Manual**

Features

Other

Crimp Form-Wire Barrel Type	Closed Barrel - W Crimp
Tool Grade	Premium Crimp Tooling
Die Sets Type	Removable/Interchangeable
Specification Type	MIL Spec, TE Product Specification (114-)
TE Certification	Cannot be Certified
Power Technology Type	Battery, Hydraulic, Manual
Tooling Type	Die Assembly

Product Compliance

[For compliance documentation, visit the product page on TE.com>](#)

EU RoHS Directive 2011/65/EU	Out of Scope
EU ELV Directive 2000/53/EC	Out of Scope
China RoHS 2 Directive MIIT Order No 32, 2016	Not reviewed for China RoHS compliance
EU REACH Regulation (EC) No. 1907/2006	Current ECHA Candidate List: JUNE 2023 (235) Candidate List Declared Against: JUNE 2023 (235) Does not contain REACH SVHC
Halogen Content	Low Halogen - Br, Cl, F, I < 900 ppm per homogenous material. Also BFR/CFR/PVC

Free

Solder Process Capability

Not applicable for solder process capability

Product Compliance Disclaimer

This information is provided based on reasonable inquiry of our suppliers and represents our current actual knowledge based on the information they provided. This information is subject to change. The part numbers that TE has identified as EU RoHS compliant have a maximum concentration of 0.1% by weight in homogenous materials for lead, hexavalent chromium, mercury, PBB, PBDE, DBP, BBP, DEHP, DIBP, and 0.01% for cadmium, or qualify for an exemption to these limits as defined in the Annexes of Directive 2011/65/EU (RoHS2). Finished electrical and electronic equipment products will be CE marked as required by Directive 2011/65/EU. Components may not be CE marked. Additionally, the part numbers that TE has identified as EU ELV compliant have a maximum concentration of 0.1% by weight in homogenous materials for lead, hexavalent chromium, and mercury, and 0.01% for cadmium, or qualify for an exemption to these limits as defined in the Annexes of Directive 2000/53/EC (ELV). Regarding the REACH Regulation, the information TE provides on SVHC in articles for this part number is based on the latest European Chemicals Agency (ECHA) 'Guidance on requirements for substances in articles' posted at this URL: <https://echa.europa.eu/guidance-documents/guidance-on-reach>

Compatible Parts



TE Part # 320744
TERMINAL,SOLIS R 1/0 5/8



TE Part # 36957
SPLICE,SOLIS BUTT 1/0



TE Part # 36915
TERMINAL,SOLIS R 1/0 1/4



TE Part # 36916
TERMINAL,SOLIS R 1/0 5/16



TE Part # 36917
TERMINAL,SOLIS R 1/0 3/8



TE Part # 36946
SPLICE,SOLIS PARA 1/0



TE Part # 320748
TERMINAL,SOLIS R 1/0 3/4



TE Part # 55821-1
BODY BRAZED RING 1/0 1/4



TE Part # 696711-1
STRATOTHERM,1/0,3/8,NIPL,45



TE Part # 323179
TERMINAL SOLIS R HR 1/0 M6(1/4)



TE Part # 696735-1
STRATOTHERM,1/0,5/16,NIPL,45



TE Part # 321867
TERMINAL SOLIS RING 1/0 5/16




TE Part # 321868
TERMINAL SOLIS RING 1/0 3/8



TE Part # 36919
TERMINAL SOLIS RING 1/0 1/2



TE Part # 36918
TERMINAL,SOLIS R 1/0 7/16



TE Part # 323180
TERMINAL,SOLIS R HR 1/0 3/8



TE Part # 321866
BODY SOLIS RING 1/0 1/4



TE Part # 322291
TERMINAL,SOLIS R 1/0 1/2



TE Part # 132076-1
STRATOTHERM 1/0 NIPL



TE Part # 321867-3
STRAT,RT,1/0,5/16-M8,AU


Customers Also Bought



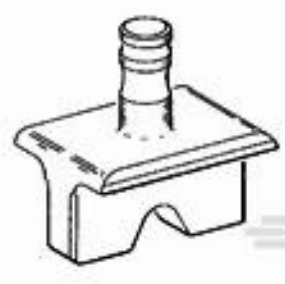
TE Part #33458
TERMINAL,SOLIS R 12-10 1/4



TE Part #52746
COPALUM Stranded/Solid: Parallel Splices




TE Part #48355
HYP8 SOLIS 8AWG INDENTER




TE Part #48126
HYP8 SOLIS 8AWG NEST



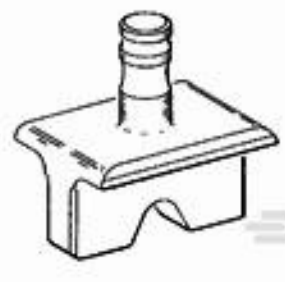
TE Part #ZPF000000000008914
983-6SE 18-14 PN



TE Part #300430
HYP8 SOLIS 4/0AWG NEST



TE Part #48128
HYP8 SOLIS 6AWG NEST



TE Part #48133
HYP8 SOLIS 2/0AWG NEST

TE Part #CC2132-000
TMS-SCE-1K-1/4-2.0-S3-4

Documents



Datasheets & Catalog Pages

[AT-Hydraulic Crimp Tooling Solutions-1654519](#)

English

[Bottoming Dies](#)

English

Instruction Sheets

[Instruction Sheet \(U.S.\)](#)

English