

48130 ✓ ACTIVE

AMP

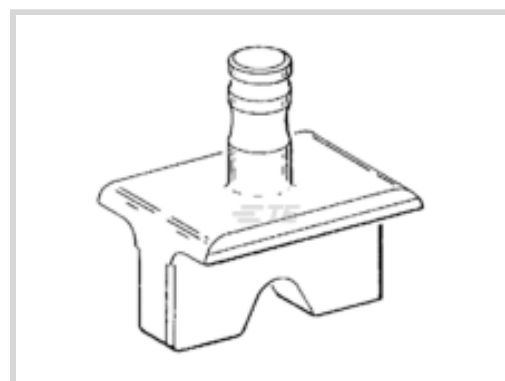
TE Internal #: 48130

Hand Crimping Tools, Premium Crimp Tooling, Removable /Interchangeable, TE Product Specification (114-) / MIL Spec, Manual / Battery / Hydraulic

[View on TE.com >](#)



Application Tooling > Hand Crimping Tools



Tool Grade: **Premium Crimp Tooling**

Die Sets Type: **Removable/Interchangeable**

Specification Type: **MIL Spec, TE Product Specification (114-)**

TE Certification: **Cannot be Certified**

Power Technology Type: **Battery, Hydraulic, Manual**

Features

Other

Crimp Form-Wire Barrel Type	Closed Barrel - W Crimp
Tool Grade	Premium Crimp Tooling
Die Sets Type	Removable/Interchangeable
Specification Type	MIL Spec, TE Product Specification (114-)
TE Certification	Cannot be Certified
Power Technology Type	Battery, Hydraulic, Manual
Tooling Type	Die Assembly

Product Compliance

[For compliance documentation, visit the product page on TE.com>](#)

EU RoHS Directive 2011/65/EU	Out of Scope
EU ELV Directive 2000/53/EC	Out of Scope
China RoHS 2 Directive MIIT Order No 32, 2016	Not reviewed for China RoHS compliance
EU REACH Regulation (EC) No. 1907/2006	Current ECHA Candidate List: JUNE 2023 (235) Candidate List Declared Against: JUNE 2023 (235) Does not contain REACH SVHC
Halogen Content	Low Halogen - Br, Cl, F, I < 900 ppm per homogenous material. Also BFR/CFR/PVC



Free

Solder Process Capability

Not applicable for solder process capability

Product Compliance Disclaimer

This information is provided based on reasonable inquiry of our suppliers and represents our current actual knowledge based on the information they provided. This information is subject to change. The part numbers that TE has identified as EU RoHS compliant have a maximum concentration of 0.1% by weight in homogenous materials for lead, hexavalent chromium, mercury, PBB, PBDE, DBP, BBP, DEHP, DIBP, and 0.01% for cadmium, or qualify for an exemption to these limits as defined in the Annexes of Directive 2011/65/EU (RoHS2). Finished electrical and electronic equipment products will be CE marked as required by Directive 2011/65/EU. Components may not be CE marked. Additionally, the part numbers that TE has identified as EU ELV compliant have a maximum concentration of 0.1% by weight in homogenous materials for lead, hexavalent chromium, and mercury, and 0.01% for cadmium, or qualify for an exemption to these limits as defined in the Annexes of Directive 2000/53/EC (ELV). Regarding the REACH Regulation, the information TE provides on SVHC in articles for this part number is based on the latest European Chemicals Agency (ECHA) 'Guidance on requirements for substances in articles' posted at this URL: <https://echa.europa.eu/guidance-documents/guidance-on-reach>

Compatible Parts

 <p>TE Part # 320138 TERMINAL,SOLIS R 2 1/4</p>	 <p>TE Part # 320754 TERMINAL,SOLIS R 2 5/8</p>	 <p>TE Part # 35184 TERMINAL,SOLIS R 2 3/8</p>	 <p>TE Part # 35185 TERMINAL,SOLIS R 2 1/2</p>
 <p>TE Part # 35183 TERMINAL,SOLIS R 2 5/16</p>	 <p>TE Part # 2-322870-2 STRATO-THERM, HR 2 5/16 NIPL</p>	 <p>TE Part # 35187 SPLICE,SOLIS PARA 2</p>	 <p>TE Part # 8-322870-3 TERMINAL,SOLIS R 2 5/16</p>
 <p>TE Part # 130558 TERMINAL,SOLIS R 2 10MM</p>	 <p>TE Part # 35189 SPLICE,SOLIS BUTT 2</p>	 <p>TE Part # 320755 TERMINAL,SOLIS R 2 3/4</p>	 <p>TE Part # 323177 STRATO-THERM, HR 2 3/8 NIPL</p>




TE Part # 330301
TERMINAL,SOLIS R 2 10



TE Part # 320383
TERMINAL,SOLIS R 2 1/4



TE Part # 323291
TERMINAL,SOLIS R 2 1/2



TE Part # 321600
TERMINAL,SOLIS R 2 3/8




TE Part # 320741
TERMINAL,SOLIS R 2 7/16



TE Part # 322870
TERMINAL,SOLIS R 2 5/16



TE Part # 330301-3
TERMINAL,SOLIS, R, 2, M5



TE Part # 59973-1
HYP8 8-4/0AWG MANUAL TOOL-No Dies

Customers Also Bought



TE Part #1-965423-1
Timer Connector Housing




TE Part #34122
TERMINAL,SOLIS R 16-14 8



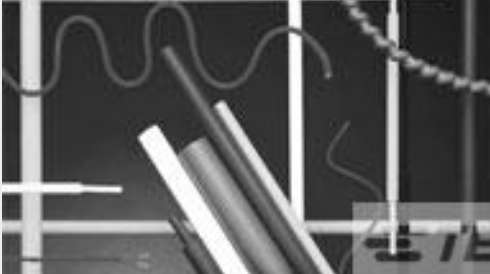
TE Part #5069874011
CGPT1 Heat shrink Tubing



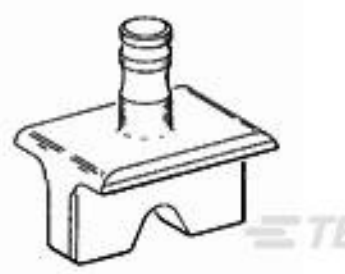
TE Part #1-962841-1
TAB 2.8x0.8 CONTACT CS SRC Sn



TE Part #48127
HYP8 SOLIS 6-2AWG INDENTER



TE Part #4623554001
CGPT-32/16-0-SP



TE Part #48129
HYP8 SOLIS 4AWG NEST

Documents

Datasheets & Catalog Pages

[AT-Hydraulic Crimp Tooling Solutions-1654519](#)

English

Bottoming Dies

English

Instruction Sheets

[Instruction Sheet \(U.S.\)](#)

English

