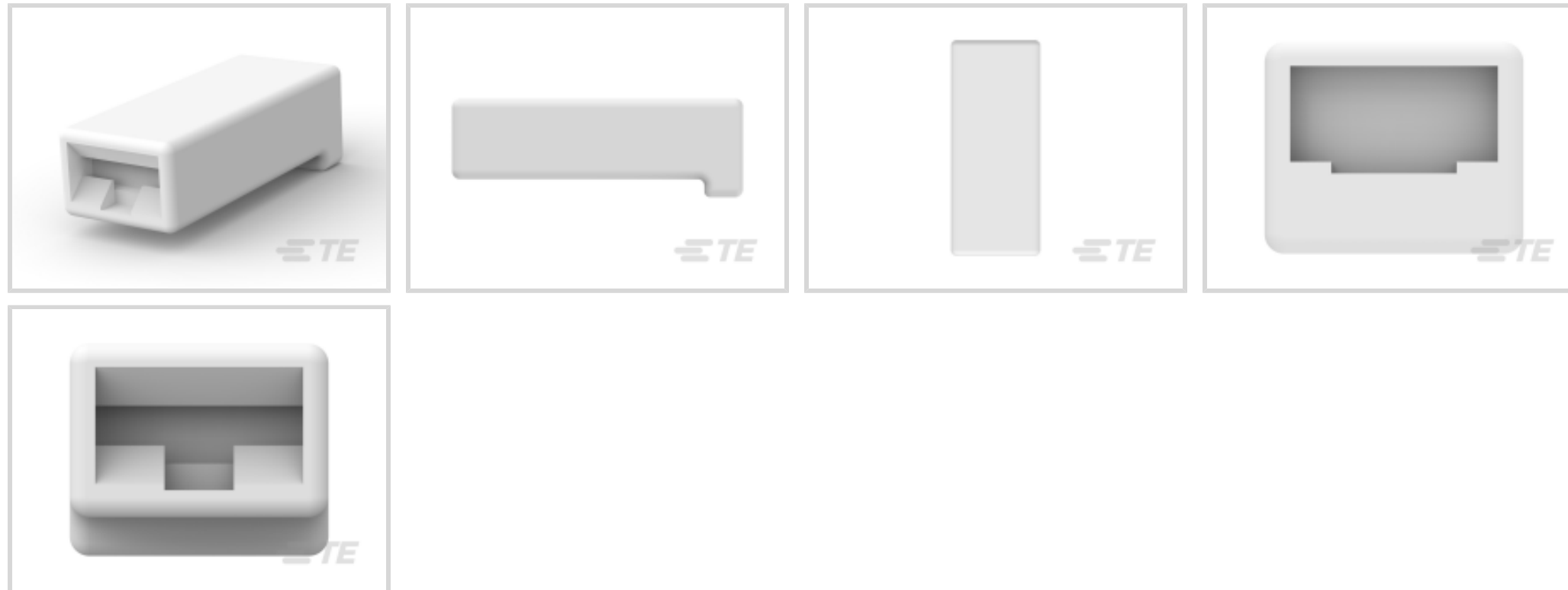




Terminals & Splices > Terminal Housings, Insulation Sleeves & Blocks > Crimp Terminal Housings



Terminal Type: **Receptacle**

Connector & Housing Type: **Receptacle**

Number of Positions: **1**

Terminal Orientation: **Straight**

UL Flammability Rating: **UL 94V-2**

## Features

### Product Type Features

|                                   |              |
|-----------------------------------|--------------|
| Sealable                          | No           |
| Connector & Contact Terminates To | Wire & Cable |
| Connector & Housing Type          | Receptacle   |

### Configuration Features

|                     |   |
|---------------------|---|
| Number of Positions | 1 |
|---------------------|---|

### Body Features

|                       |         |
|-----------------------|---------|
| Primary Product Color | Natural |
|-----------------------|---------|

### Contact Features

|                          |            |
|--------------------------|------------|
| Terminal Type            | Receptacle |
| Terminal Orientation     | Straight   |
| Contact Mating Retention | With       |

### Mechanical Attachment

|                       |       |
|-----------------------|-------|
| Mating Retention Type | Latch |
|-----------------------|-------|



|                         |                            |
|-------------------------|----------------------------|
| Mating Alignment        | With                       |
| Connector Mounting Type | Cable Mount (Free-Hanging) |

### Housing Features

|                  |       |
|------------------|-------|
| Housing Material | Nylon |
|------------------|-------|

### Dimensions

|                |                |
|----------------|----------------|
| Product Length | 24 mm[.945 in] |
|----------------|----------------|

### Usage Conditions

|                             |                            |
|-----------------------------|----------------------------|
| Operating Temperature Range | -40 – 105 °C[-40 – 221 °F] |
|-----------------------------|----------------------------|

### Industry Standards

|                        |          |
|------------------------|----------|
| UL Flammability Rating | UL 94V-2 |
|------------------------|----------|

### Packaging Features

|                    |        |
|--------------------|--------|
| Packaging Quantity | 1      |
| Packaging Method   | Carton |

## Product Compliance

[For compliance documentation, visit the product page on TE.com>](#)

|   |   |
|---|---|
| EU RoHS Directive 2011/65/EU                  | Compliant   |
| EU ELV Directive 2000/53/EC                   | Compliant   |
| China RoHS 2 Directive MIIT Order No 32, 2016 | No Restricted Materials Above Threshold   |
| EU REACH Regulation (EC) No. 1907/2006        | Current ECHA Candidate List: JUNE 2023 (235)<br>Candidate List Declared Against: JUNE 2023 (235)<br>Does not contain REACH SVHC |
| Halogen Content                               | Low Halogen - Br, Cl, F, I < 900 ppm per homogenous material. Also BFR/CFR/PVC Free   |
| Solder Process Capability                     | Not applicable for solder process capability  |

#### Product Compliance Disclaimer

This information is provided based on reasonable inquiry of our suppliers and represents our current actual knowledge based on the information they provided. This information is subject to change. The part numbers that TE has identified as EU RoHS compliant have a maximum concentration of 0.1% by weight in homogenous materials for lead, hexavalent chromium, mercury, PBB, PBDE, DBP, BBP, DEHP, DIBP, and 0.01% for cadmium, or qualify for an exemption to these limits as defined in the Annexes of Directive 2011/65/EU (RoHS2). Finished electrical and electronic equipment products will be CE marked as required by Directive 2011/65/EU. Components may not be CE marked. Additionally, the part numbers that TE has identified as EU ELV compliant have a maximum concentration of 0.1% by weight in homogenous materials for lead, hexavalent chromium, and mercury, and 0.01% for cadmium, or qualify for an exemption to these limits as defined in the Annexes of Directive 2000/53/EC (ELV). Regarding the REACH Regulation, the information TE provides on SVHC in articles for this part number is based on the latest European Chemicals Agency (ECHA) 'Guidance on

requirements for substances in articles' posted at this URL: <https://echa.europa.eu/guidance-documents/guidance-on-reach>

## Compatible Parts



TE Part # 170258-2  
FF 250 REC 14-12AWG TPBR REREELING



TE Part # 170258-1  
FF 250 REC 14-12AWG BR REREELING

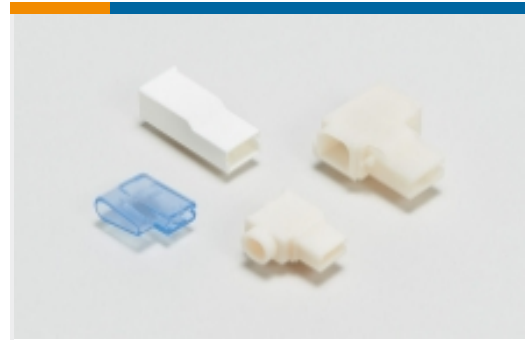


TE Part # 1-480252-0  
FF 187 REC HSG 3P NYLON NAT



TE Part # 521743-1  
FF 250 HOUSING RECEPTACLE NYLON 6/6

## Also in the Series | FASTIN-FASTON 250



Crimp Terminal Housings(211)



Insertion & Extraction Tools(2)

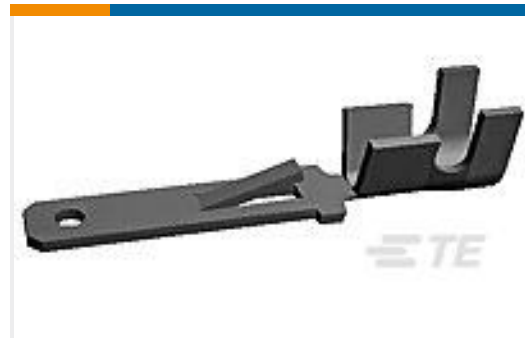


PCB Terminals(2)

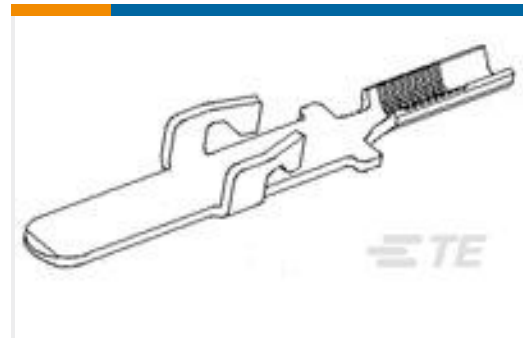


Quick Disconnects(254)

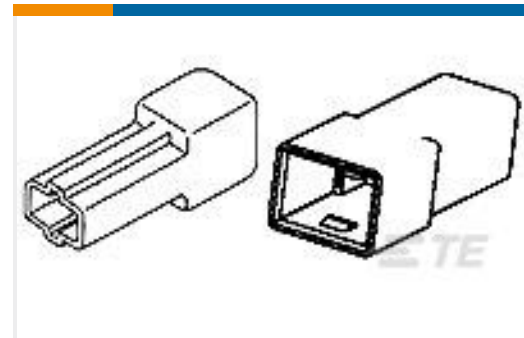
## Customers Also Bought



TE Part #42460-2  
FF 250 TAB 18-14AWG TPBR



TE Part #1217073-1  
CONT AMVAR 125 BLADE 020 TPBR



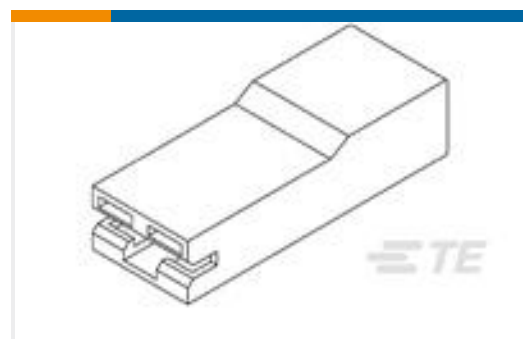
TE Part #180916-1  
FF 250 TAB HSG 1P NYLON RED



TE Part #350981-2  
RING 18-14 AWG PTPBR



TE Part #1217071-1  
CONTACT, BLADE 125 20-16 AWG TPBR



TE Part #1-521120-3  
HSG RECPT POSILOK MK III 250 V0



TE Part #293008-5  
3 POS. FASTIN-FASTON CONN. TAB HOUSING R



TE Part #1394429-6  
TP 1394429-2 wh 2-703453-0 PP no Ni PLTN

## Documents

### Product Drawings

FF 250 REC HSG 1P NYLON NAT



English

---

**CAD Files**

**3D PDF**

3D

**Customer View Model**

[ENG\\_CVM\\_CVM\\_480054-3\\_BW.2d\\_dxf.zip](#)

English

**Customer View Model**

[ENG\\_CVM\\_CVM\\_480054-3\\_BW.3d\\_igs.zip](#)

English

**Customer View Model**

[ENG\\_CVM\\_CVM\\_480054-3\\_BW.3d\\_stp.zip](#)

English

By downloading the CAD file I accept and agree to the [Terms and Conditions](#) of use.

---

**Datasheets & Catalog Pages**

[FASTIN\\_FASTON\\_Product\\_Line](#)

English

[White Paper: Nylon Discoloration](#)

English

---

**Product Specifications**

[Application Specification](#)

English

---

**Product Environmental Compliance**

[MD\\_480054-3\\_060620181311\\_dmtec](#)

English

[MD\\_480054-3\\_060620181311\\_dmtec](#)

English

---

**Agency Approvals**

[UL Report](#)

English