

47417 ✓ ACTIVE

AMP

TE Internal #: 47417

Hand Crimping Tools, Service Tooling, Fixed In Tool, TE Product Specification (114-), Battery / Manual, Double Action Hand Tool

[View on TE.com >](#)



Application Tooling > Hand Crimping Tools



Tool Grade: **Service Tooling**

Die Sets Type: **Fixed In Tool**

Specification Type: **TE Product Specification (114-)**

TE Certification: **Upon Request for Fee**

Power Technology Type: **Battery, Manual**

Features

Other

Crimp Form-Wire Barrel Type	Open Barrel - F Crimp
Tool Grade	Service Tooling
Die Sets Type	Fixed In Tool
Specification Type	TE Product Specification (114-)
TE Certification	Upon Request for Fee
Power Technology Type	Battery, Manual
Tooling Type	Double Action Hand Tool

Product Compliance

[For compliance documentation, visit the product page on TE.com>](#)

EU RoHS Directive 2011/65/EU	Out of Scope
EU ELV Directive 2000/53/EC	Out of Scope
China RoHS 2 Directive MIIT Order No 32, 2016	Not reviewed for China RoHS compliance
EU REACH Regulation (EC) No. 1907/2006	Current ECHA Candidate List: JUNE 2023 (235) Candidate List Declared Against: JUL 2021 (219) Does not contain REACH SVHC
Halogen Content	Not Yet Reviewed for halogen content
Solder Process Capability	Not applicable for solder process capability

Product Compliance Disclaimer

This information is provided based on reasonable inquiry of our suppliers and represents our current actual knowledge based on the information they provided. This information is subject to change. The part numbers that TE has identified as EU RoHS compliant have a maximum concentration of 0.1% by weight in homogenous materials for lead, hexavalent chromium, mercury, PBB, PBDE, DBP, BBP, DEHP, DIBP, and 0.01% for cadmium, or qualify for an exemption to these limits as defined in the Annexes of Directive 2011/65/EU (RoHS2). Finished electrical and electronic equipment products will be CE marked as required by Directive 2011/65/EU. Components may not be CE marked. Additionally, the part numbers that TE has identified as EU ELV compliant have a maximum concentration of 0.1% by weight in homogenous materials for lead, hexavalent chromium, and mercury, and 0.01% for cadmium, or qualify for an exemption to these limits as defined in the Annexes of Directive 2000/53/EC (ELV). Regarding the REACH Regulation, the information TE provides on SVHC in articles for this part number is based on the latest European Chemicals Agency (ECHA) 'Guidance on requirements for substances in articles' posted at this URL: <https://echa.europa.eu/guidance-documents/guidance-on-reach>

Compatible Parts



TE Part # 60102-1
250 FASTON FLAG REC 18-12 AWG
BR



TE Part # 42015
250 FASTON FLAG REC 18-12 AWG
TPBZ



TE Part # 42232-3
250 FASTON FLAG REC 18-12 AWG
TPBR



TE Part # 41898
250 FASTON FLAG REC 18-12 AWG
TPBR

Customers Also Bought



TE Part #794894-1
02P MINI UMNL PLUGS WIRE HOLES



TE Part #794772-2
02P MINI UMNL SEAL,DIE CUT



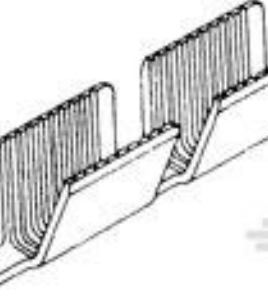
TE Part #3-520140-4
ULTRA-FAST 250 ASY REC 16-14 AWG
TPBR



TE Part #3-520132-2
ULTRAFast 250 ASSY FLAG REC 16-14
TPBR



TE Part #41531
250 FASTON FLAG REC 18-12 AWG
BR



TE Part #62308-2
AMVAR SPLC 3000-7000 020TPBR



TE Part #320749
SOLIS SPDFLG 22-16COM22-18MIL6



TE Part #640911-2
RECEPT,PIDG FASTON 22-18 205



Documents

Datasheets & Catalog Pages

Bottoming Dies

English

Instruction Sheets

Instruction Sheet (U.S.)

English