

46766-2 ✓ ACTIVE

AMP

TE Internal #: 46766-2

Hand Crimping Tools, Premium Crimp Tooling, Removable /Interchangeable, MIL Spec / TE Product Specification (114-), Manual / Battery / Hydraulic

[View on TE.com >](#)



Application Tooling > Hand Crimping Tools



Tool Grade: Premium Crimp Tooling

Die Sets Type: Removable/Interchangeable

Specification Type: MIL Spec, TE Product Specification (114-)

TE Certification: Yes – Certificate Included

Power Technology Type: Battery, Hydraulic, Manual

## Features

### Other

Crimp Form-Wire Barrel Type	Closed Barrel - Confined Crescent
Tool Grade	Premium Crimp Tooling
Die Sets Type	Removable/Interchangeable
Specification Type	MIL Spec, TE Product Specification (114-)
TE Certification	Yes – Certificate Included
Power Technology Type	Battery, Hydraulic, Manual
Tooling Type	Die Assembly

## Product Compliance

[For compliance documentation, visit the product page on TE.com>](#)

EU RoHS Directive 2011/65/EU	Out of Scope
EU ELV Directive 2000/53/EC	Out of Scope
China RoHS 2 Directive MIIT Order No 32, 2016	Not reviewed for China RoHS compliance
EU REACH Regulation (EC) No. 1907/2006	Current ECHA Candidate List: JUNE 2023 (235) Candidate List Declared Against: JAN 2021 (211) Does not contain REACH SVHC
Halogen Content	Not Yet Reviewed for halogen content

Solder Process Capability

Not applicable for solder process capability

Product Compliance Disclaimer

This information is provided based on reasonable inquiry of our suppliers and represents our current actual knowledge based on the information they provided. This information is subject to change. The part numbers that TE has identified as EU RoHS compliant have a maximum concentration of 0.1% by weight in homogenous materials for lead, hexavalent chromium, mercury, PBB, PBDE, DBP, BBP, DEHP, DIBP, and 0.01% for cadmium, or qualify for an exemption to these limits as defined in the Annexes of Directive 2011/65/EU (RoHS2). Finished electrical and electronic equipment products will be CE marked as required by Directive 2011/65/EU. Components may not be CE marked. Additionally, the part numbers that TE has identified as EU ELV compliant have a maximum concentration of 0.1% by weight in homogenous materials for lead, hexavalent chromium, and mercury, and 0.01% for cadmium, or qualify for an exemption to these limits as defined in the Annexes of Directive 2000/53/EC (ELV). Regarding the REACH Regulation, the information TE provides on SVHC in articles for this part number is based on the latest European Chemicals Agency (ECHA) 'Guidance on requirements for substances in articles' posted at this URL: <https://echa.europa.eu/guidance-documents/guidance-on-reach>


### Compatible Parts



TE Part # CAT-AM74-AM74A  
AMPOWER Lug Crimp Terminal, 1 Stud Hole



TE Part # 53680-2  
TERMINAL,LNG BBL AMPOWER 1/0



TE Part # CAT-AM74-AM74B  
AMPOWER Terminal, 2 Stud Holes



TE Part # 324458  
SPLICE,AMPOWER BUTT 1/0



TE Part # 324443  
SPLICE,AMPOWER PARA 1/0



TE Part # CAT-AM74-AM74  
AMPOWER Terminal Without Stud Hole



TE Part # 325318  
TERMINAL,AMPOWER 1/0 0



TE Part # 325320  
TERMINAL,AMPOWER BENT 1/0



TE Part # 1752868-1  
HYP10 12-350MCM 18T HEAD



TE Part # 69099  
HYP8 12-350MCM 18T HEAD



TE Part # 193837-7  
PIN ASSY.,CRIMP, 8MM,1/0AWG



TE Part # 326800-8  
TERM,AMPOWER 1/0 3/8 UNPL

### Customers Also Bought



TE Part #32837  
PIDG R 22-16 COMM 22-18 MIL 10



TE Part #1393143-7  
27E123=SOCKET,KRP,11,SCW,PLE



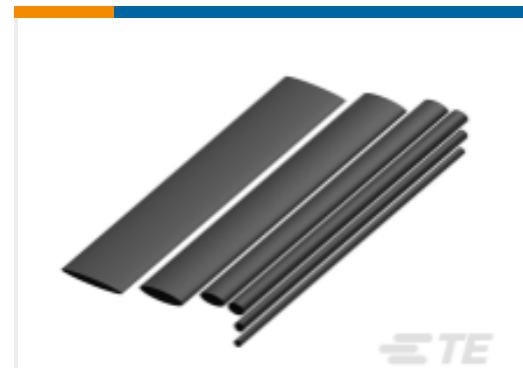
TE Part #6-1393104-5  
KRPA-14AG-120=KRPA



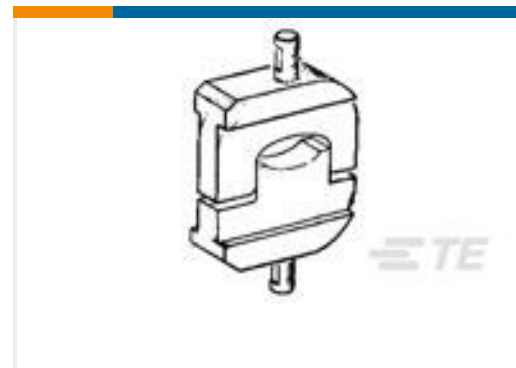
TE Part #F64479-000  
VERSAFIT-MINI-SPL-1/4-BK



TE Part #NB14062001  
TAT-125-3/4-0-STK



TE Part #NB15774001  
RNF-150-3/32-0-SP



TE Part #46752-2  
HYP8 AMPOWER 300MCM DIE SET



TE Part #1423162-7  
7022AD=RLY,STD,OFF,2P,120VAC,5



TE Part #34112  
SOLIS R 22-16COMM 22-18MIL 10



TE Part #33457  
TERMINAL,SOLIS R 12-10 10

## Documents

### Datasheets & Catalog Pages

[AT-Hydraulic Crimp Tooling Solutions-1654519](#)

English

### Bottoming Dies

English

### Instruction Sheets

[Application and Maintenance for AMPOWER Crimping Dies](#)

English

[Instruction Sheet \(U.S.\)](#)

English