

46765-3 ✓ ACTIVE

AMP

TE Internal #: 46765-3

Hand Crimping Tools, Premium Crimp Tooling, Removable /Interchangeable, MIL Spec / TE Product Specification (114-), Manual / Battery / Hydraulic

[View on TE.com >](#)



Application Tooling > Hand Crimping Tools



Tool Grade: Premium Crimp Tooling

Die Sets Type: Removable/Interchangeable

Specification Type: MIL Spec, TE Product Specification (114-)

TE Certification: Yes – Certificate Included

Power Technology Type: Battery, Hydraulic, Manual

Features

Other

Crimp Form-Wire Barrel Type	Closed Barrel - Confined Crescent
Tool Grade	Premium Crimp Tooling
Die Sets Type	Removable/Interchangeable
Specification Type	MIL Spec, TE Product Specification (114-)
TE Certification	Yes – Certificate Included
Power Technology Type	Battery, Hydraulic, Manual
Tooling Type	Die Assembly

Product Compliance

[For compliance documentation, visit the product page on TE.com>](#)

EU RoHS Directive 2011/65/EU	Out of Scope
EU ELV Directive 2000/53/EC	Out of Scope
China RoHS 2 Directive MIIT Order No 32, 2016	Not reviewed for China RoHS compliance
EU REACH Regulation (EC) No. 1907/2006	Current ECHA Candidate List: JUNE 2023 (235) Candidate List Declared Against: JAN 2021 (211) Does not contain REACH SVHC
Halogen Content	Low Halogen - Br, Cl, F, I < 900 ppm per homogenous material. Also BFR/CFR/PVC

Free

Solder Process Capability

Not applicable for solder process capability

Product Compliance Disclaimer

This information is provided based on reasonable inquiry of our suppliers and represents our current actual knowledge based on the information they provided. This information is subject to change. The part numbers that TE has identified as EU RoHS compliant have a maximum concentration of 0.1% by weight in homogenous materials for lead, hexavalent chromium, mercury, PBB, PBDE, DBP, BBP, DEHP, DIBP, and 0.01% for cadmium, or qualify for an exemption to these limits as defined in the Annexes of Directive 2011/65/EU (RoHS2). Finished electrical and electronic equipment products will be CE marked as required by Directive 2011/65/EU. Components may not be CE marked. Additionally, the part numbers that TE has identified as EU ELV compliant have a maximum concentration of 0.1% by weight in homogenous materials for lead, hexavalent chromium, and mercury, and 0.01% for cadmium, or qualify for an exemption to these limits as defined in the Annexes of Directive 2000/53/EC (ELV). Regarding the REACH Regulation, the information TE provides on SVHC in articles for this part number is based on the latest European Chemicals Agency (ECHA) 'Guidance on requirements for substances in articles' posted at this URL: <https://echa.europa.eu/guidance-documents/guidance-on-reach>

Compatible Parts



TE Part # 324442
SPLICE,AMPOWER PARA 2



TE Part # 326799
TERMINAL,AMPOWER 2 3/8



TE Part # CAT-AM74-AM74A
AMPOWER Lug Crimp Terminal, 1 Stud Hole



TE Part # 324457
SPLICE,AMPOWER BUTT 2



TE Part # CAT-AM74-AM74M
AMPOWER Crimp Terminal, 90 Bent



TE Part # 325207
TERMINAL,AMPOWER 2



TE Part # 1752868-1
HYP10 12-350MCM 18T HEAD




TE Part # 69099
HYP8 12-350MCM 18T HEAD



TE Part # 696469-1
AMPOWER,2,3/8,TIN,90,30 DEG BL

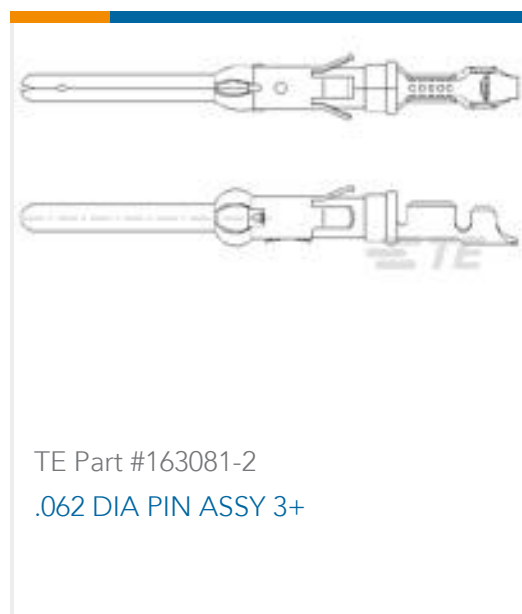


TE Part # 696696-1
AMPOWER,2,3/8,TIN,90,30 DEG BL RIGHT



TE Part # 696465-1
AMPOWER,2,3/8,Z-BEND,TIN

Customers Also Bought



TE Part #163081-2
.062 DIA PIN ASSY 3+



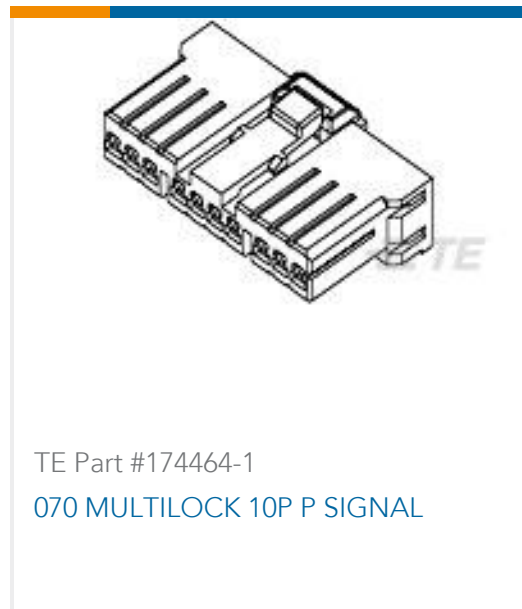
TE Part #216164-1
15P.HDP22 REC.ASSY.



TE Part #626437-1
ELECTRO TAP ASSY



TE Part #2-1564416-1
8POS,TAB 1.6X0.6,TAB HSG,ASSY



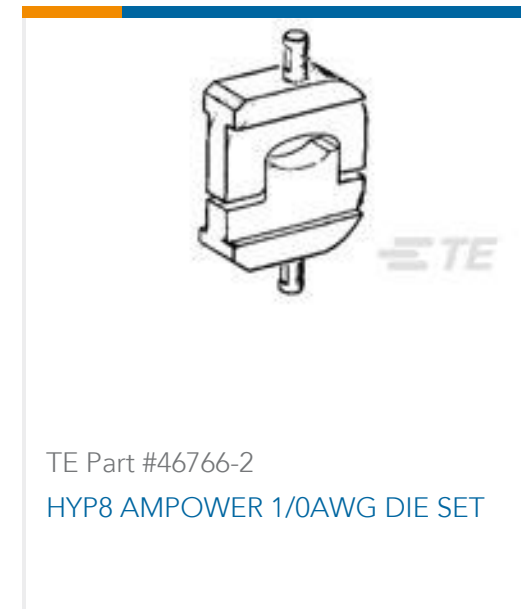
TE Part #174464-1
070 MULTILOCK 10P P SIGNAL



TE Part #826883-2
02P ECONOSEAL "E"



TE Part #1416200-9
V23061B1010A301



TE Part #46766-2
HYP8 AMPOWER 1/0AWG DIE SET

Documents

Datasheets & Catalog Pages

[AT-Hydraulic Crimp Tooling Solutions-1654519](#)

English

Bottoming Dies

English

Instruction Sheets

[Application and Maintenance for AMPOWER Crimping Dies](#)

English

[Instruction Sheet \(U.S.\)](#)

English