

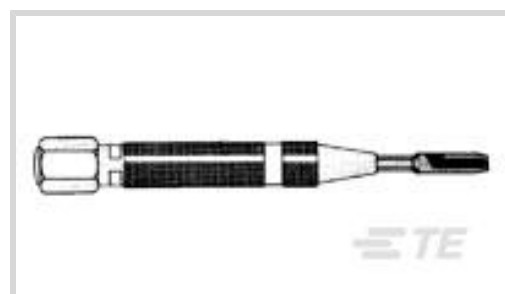
465665-1 ✓ ACTIVE

Alcoswitch TSP

TE Internal #: 465665-1

TE Internal Description: TIP

[View on TE.com >](#)



Product Compliance

[For compliance documentation, visit the product page on TE.com>](#)

EU RoHS Directive 2011/65/EU	Compliant
EU ELV Directive 2000/53/EC	Compliant
China RoHS 2 Directive MIIT Order No 32, 2016	No Restricted Materials Above Threshold
EU REACH Regulation (EC) No. 1907/2006	Current ECHA Candidate List: JUNE 2023 (235) Candidate List Declared Against: JUNE 2023 (235) Does not contain REACH SVHC
Halogen Content	Low Halogen - Br, Cl, F, I < 900 ppm per homogenous material. Also BFR/CFR/PVC Free
Solder Process Capability	Not reviewed for solder process capability

Product Compliance Disclaimer

This information is provided based on reasonable inquiry of our suppliers and represents our current actual knowledge based on the information they provided. This information is subject to change. The part numbers that TE has identified as EU RoHS compliant have a maximum concentration of 0.1% by weight in homogenous materials for lead, hexavalent chromium, mercury, PBB, PBDE, DBP, BBP, DEHP, DIBP, and 0.01% for cadmium, or qualify for an exemption to these limits as defined in the Annexes of Directive 2011/65/EU (RoHS2). Finished electrical and electronic equipment products will be CE marked as required by Directive 2011/65/EU. Components may not be CE marked. Additionally, the part numbers that TE has identified as EU ELV compliant have a maximum concentration of 0.1% by weight in homogenous materials for lead, hexavalent chromium, and mercury, and 0.01% for cadmium, or qualify for an exemption to these limits as defined in the Annexes of Directive 2000/53/EC (ELV). Regarding the REACH Regulation, the information TE provides on SVHC in articles for this part number is based on the latest European Chemicals Agency (ECHA) 'Guidance on requirements for substances in articles' posted at this URL: <https://echa.europa.eu/guidance-documents/guidance-on-reach>

Also in the Series | [Alcoswitch TSP](#)



Card Ejectors(1)



Push Button Switches(19)

Customers Also Bought



TE Part #320555
KNIFE DISCONNECT,N PIDG 22-16



TE Part #59824-1
TETRA-CRIMP PIDG PG FASTON 22-10 ASSY



TE Part #60701-1
FF 250 TAB 14-10AWG TPBR



TE Part #1-770246-0
UMNL II PIN AUNIPHBZ LP 12-10



TE Part #1879351-5
RR01 5% 4K3 AMMO



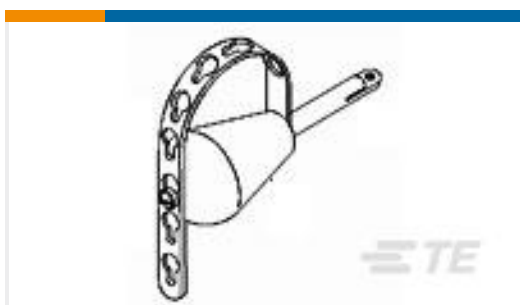
TE Part #5038604008
DCPT-6/3-45-SP



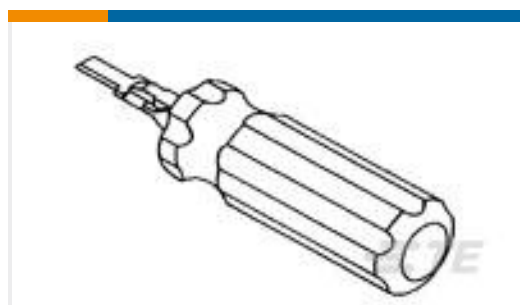
TE Part #CB5005-000
BSTS-04X4FR



TE Part #NB17402001
RP-4800-NO.3-0-STK



TE Part #465629-1
UNIV INSERTION TL (W/O TIPS)



TE Part #1586343-1
VAL-U-LOK EXTRACTION TOOL

Documents

Instruction Sheets

[Instruction Sheet \(U.S.\)](#)

English

[Extraction Tip for use with Universal Handle Assembly](#)

English