

NTFR-3/4-0-SP ✓ ACTIVE

RAYCHEM

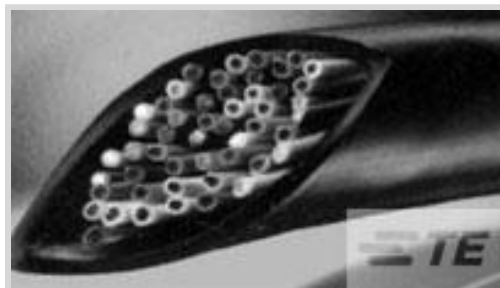
TE Internal #: 4625714002

Black, 1.75:1, Single Wall Tubing, Shrinks To .428 in [10.88 mm], Chlorinated Polyolefin, .75 in [19.05 mm] Inner Diameter, Flame-Retardant, Spool

[View on TE.com >](#)



Heat Shrink Tubing > Single Wall NTFR: Heat Shrink Tubing, 1.75:1 Shrink Ratio



Primary Product Color: **Black**

Wall Type: **Single Wall**

Expanded Inside Diameter (Min): **19.05 mm [.75 in]**

Recovered Inside Diameter (Max): **10.88 mm [.428 in]**

Shrink Ratio: **1.75:1**

[All Single Wall NTFR: Heat Shrink Tubing, 1.75:1 Shrink Ratio \(14\)](#)

Features

Product Type Features

Wall Type	Single Wall
-----------	-------------

Body Features

Fluid Type	Aviation Fuel, Brake Fluid, Chemicals /Solvents, De-Icing Fluid, Diesel Fuel, Hydraulic Fluid, Lubricating Oil, Water
Material Systems Code	20
Primary Product Color	Black
Shrink Ratio	1.75:1
Primary Product Material	Chlorinated Polyolefin
Flexibility	Very Flexible

Dimensions

Recovered Wall Thickness (Tolerance)	.76 mm[.03 in]
Recovered Wall Thickness (Nominal)	1.44 mm[.057 in]
Expanded Inside Diameter (Min)	19.05 mm[.75 in]
Recovered Inside Diameter (Max)	10.88 mm[.428 in]
Tubing Size Range	10.88 – 19.05 mm[.428 – .75 in]

Usage Conditions



Shrink Temperature (Min)	90 °C
Tubing Flammability Type	Flame-Retardant
Operating Temperature Range	-70 – 121 °C
Recovery Temperature	135 °C

Operation/Application

Mechanical Resistance	Abrasion, Fluids, Mechanical Damage, Strain Relief
-----------------------	--

Product Availability

Applicable Region	Worldwide
-------------------	-----------

Packaging Features

Packaging Method	Spool
------------------	-------

Other

Meets Low Outgassing Requirements	No
Product Source	US

Product Compliance

[For compliance documentation, visit the product page on TE.com>](#)

EU RoHS Directive 2011/65/EU	Compliant
EU ELV Directive 2000/53/EC	Compliant
China RoHS 2 Directive MIIT Order No 32, 2016	No Restricted Materials Above Threshold
EU REACH Regulation (EC) No. 1907/2006	Current ECHA Candidate List: JUNE 2023 (235) Candidate List Declared Against: JUNE 2023 (235) Does not contain REACH SVHC
Halogen Content	Not Low Halogen - contains Br or Cl > 900 ppm.
Solder Process Capability	Not applicable for solder process capability

Product Compliance Disclaimer

This information is provided based on reasonable inquiry of our suppliers and represents our current actual knowledge based on the information they provided. This information is subject to change. The part numbers that TE has identified as EU RoHS compliant have a maximum concentration of 0.1% by weight in homogenous materials for lead, hexavalent chromium, mercury, PBB, PBDE, DBP, BBP, DEHP, DIBP, and 0.01% for cadmium, or qualify for an exemption to these limits as defined in the Annexes of Directive 2011/65/EU (RoHS2). Finished electrical and electronic equipment products will be CE marked as required by Directive 2011/65/EU. Components may not be CE marked. Additionally, the part numbers that TE has identified as EU ELV compliant have a maximum concentration of 0.1% by weight in homogenous materials for lead, hexavalent chromium, and mercury, and 0.01% for cadmium, or qualify for an exemption to these limits as defined in the Annexes of Directive 2000/53/EC (ELV). Regarding the REACH Regulation, the information TE provides on SVHC in articles for this part number is based on the latest European Chemicals Agency (ECHA) 'Guidance on

requirements for substances in articles' posted at this URL: <https://echa.europa.eu/guidance-documents/guidance-on-reach>

Customers Also Bought



TE Part #3419254003
Single Wall NTFR: Heat Shrink Tubing,
1.75:1 Shrink Ratio



TE Part #152873
14-12 PIDG NYLON RT NO 8 WHITE



TE Part #326854
BUDGET RING 16-14 2



TE Part #160892-000
TTVF100WE-100



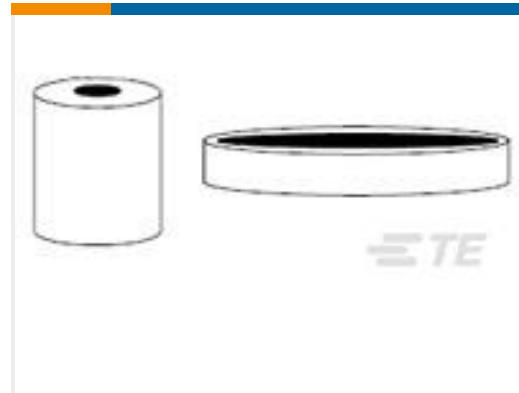
TE Part #YDTS20F23-53PNV001
RECP ASSY



TE Part #YDTS26W17-35PCV001
PLUG ASSY



TE Part #2-1532180-0
M83513/03-B04C, MCKS-C2-B-
15P6G9-36.0



TE Part #769576-000
URHR-1



TE Part #CP3369-000
TTMS-MP-9.5-9

Documents

Product Drawings

[NTFR-3/4-0-SP](#)

English

Datasheets & Catalog Pages

[raychem-tubing-product-selection-guide](#)

English

[NTFR Pages from 9-1773447-9](#)

English

[1654025_Sec3_NTFR](#)

English

Product Specifications

[Product Specification](#)



English

Product Environmental Compliance

Safety Datasheet

English

Safety Datasheet

English

Safety Datasheet

German

Safety Datasheet

Safety Datasheet

Safety Datasheet

French

Safety Datasheet

Safety Datasheet

Safety Datasheet

Safety Datasheet