



Application Tooling > Spare & Wear Tooling



Applicator & Product Style: **Heavy Duty Mini (HDM)**

### Features

#### Other

Applicator & Product Style	Heavy Duty Mini (HDM)
----------------------------	-----------------------

### Product Compliance

[For compliance documentation, visit the product page on TE.com>](#)

EU RoHS Directive 2011/65/EU	Compliant
EU ELV Directive 2000/53/EC	Compliant
China RoHS 2 Directive MIIT Order No 32, 2016	No Restricted Materials Above Threshold
EU REACH Regulation (EC) No. 1907/2006	Current ECHA Candidate List: JUNE 2023 (235) Candidate List Declared Against: JUNE 2023 (235) Does not contain REACH SVHC
Halogen Content	Low Halogen - Br, Cl, F, I < 900 ppm per homogenous material. Also BFR/CFR/PVC Free
Solder Process Capability	Not applicable for solder process capability

#### Product Compliance Disclaimer

This information is provided based on reasonable inquiry of our suppliers and represents our current actual knowledge based on the information they provided. This information is subject to change. The part numbers that TE has identified as EU RoHS compliant have a maximum concentration of 0.1% by weight in homogenous materials for lead, hexavalent chromium, mercury, PBB, PBDE, DBP, BBP, DEHP, DIBP, and 0.01% for cadmium, or qualify for an exemption to these limits as defined in the Annexes of Directive 2011/65/EU (RoHS2). Finished electrical and electronic equipment products will be CE marked as required by Directive 2011/65/EU. Components may not be CE marked. Additionally, the part numbers that TE has identified as EU ELV compliant have a maximum concentration of 0.1% by weight in homogenous materials for lead, hexavalent chromium, and mercury, and 0.01% for cadmium, or qualify for an exemption to these limits as defined in the Annexes of Directive 2000/53/EC (ELV). Regarding the REACH Regulation, the information TE provides on SVHC in articles for this part number is based on the latest European Chemicals Agency (ECHA) 'Guidance on requirements for substances in articles' posted at this URL: <https://echa.europa.eu/guidance-documents/guidance-on-reach>

## Compatible Parts



TE Part # 2151356-1  
OCEAN\_2.0\_APPLICATOR-S-110F160F



TE Part # 2151356-2  
OCEAN\_2.0\_APPLICATOR-S-110F160F



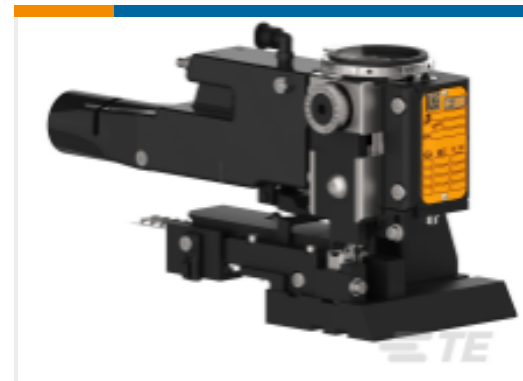
TE Part # 466634-4  
HDM 5SMPR042F090F G



TE Part # 7-2151356-1  
OCEAN\_2.0\_APPLICATOR-S-110F160F



TE Part # 7-2151356-2  
OCEAN\_2.0\_APPLICATOR-S-110F160F



TE Part # 2-2151356-2  
OCEAN\_2.0\_APPLICATOR-S-110F160F



TE Part # 1385039-3  
HDM 8SMPR062F090F G



TE Part # 1385056-1  
HDM 8SMPO047F055F T



TE Part # 1385056-3  
HDM 8SMPR047F055F G



TE Part # 1385172-1  
HDM 5SMPO055F055F LM



TE Part # 1385172-3  
HDM 5SMPR055F055F G



TE Part # 1385194-3  
HDM 5SMPR055F070F G



TE Part # 1385286-3  
HDM 5SMPR070F102F G



TE Part # 1385375-2  
HDM 8SMPR062F1000 K



TE Part # 1385378-3  
HDM 8SMPR042F0700 G



TE Part # 1385385-1  
HDM 5SMPO073F0900 LM



TE Part # 1385385-2  
HDM 5SMPR073F0900 K



TE Part # 1385385-3  
HDM 5SMPR073F0900 G

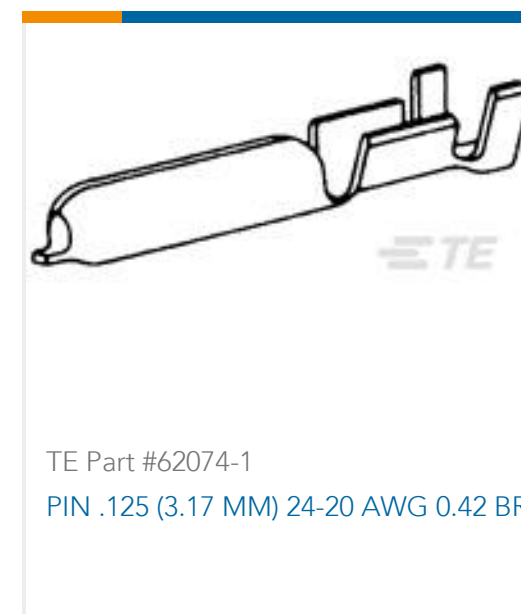


TE Part # 1385401-3  
HDM 8SMPR042F055F G



TE Part # 1385534-2  
HDM SMPR042F K

## Customers Also Bought



## Documents

### Datasheets & Catalog Pages

[CRIMPING WHERE FORM MEETS FUNCTION](#)

English

### Instruction Sheets

[Instruction Sheet \(U.S.\)](#)

English