

45433 ✓ ACTIVE

AMP

TE Internal #: 45433

Hand Crimping Tools, Premium Crimp Tooling, Removable /Interchangeable, MIL Spec / TE Product Specification (114-), Manual / Battery / Hydraulic

[View on TE.com >](#)



Application Tooling > Hand Crimping Tools



Tool Grade: Premium Crimp Tooling

Die Sets Type: Removable/Interchangeable

Specification Type: MIL Spec, TE Product Specification (114-)

TE Certification: Upon Request for Fee

Power Technology Type: Battery, Hydraulic, Manual

Features

Other

| | |
|-----------------------------|---|
| Crimp Form-Wire Barrel Type | Closed Barrel - W Crimp |
| Tool Grade | Premium Crimp Tooling |
| Die Sets Type | Removable/Interchangeable |
| Specification Type | MIL Spec, TE Product Specification (114-) |
| TE Certification | Upon Request for Fee |
| Power Technology Type | Battery, Hydraulic, Manual |
| Tooling Type | Die Assembly |

Product Compliance

[For compliance documentation, visit the product page on TE.com>](#)

| | |
|---|---|
| EU RoHS Directive 2011/65/EU | Compliant |
| EU ELV Directive 2000/53/EC | Out of Scope |
| China RoHS 2 Directive MIIT Order No 32, 2016 | No Restricted Materials Above Threshold |
| EU REACH Regulation (EC) No. 1907/2006 | Current ECHA Candidate List: JUNE 2023 (235) Candidate List Declared Against: JUNE 2022 (224) Does not contain REACH SVHC |
| Halogen Content | Low Halogen - Br, Cl, F, I < 900 ppm per homogenous material. Also BFR/CFR/PVC |

Free

Solder Process Capability

Not reviewed for solder process capability

Product Compliance Disclaimer

This information is provided based on reasonable inquiry of our suppliers and represents our current actual knowledge based on the information they provided. This information is subject to change. The part numbers that TE has identified as EU RoHS compliant have a maximum concentration of 0.1% by weight in homogenous materials for lead, hexavalent chromium, mercury, PBB, PBDE, DBP, BBP, DEHP, DIBP, and 0.01% for cadmium, or qualify for an exemption to these limits as defined in the Annexes of Directive 2011/65/EU (RoHS2). Finished electrical and electronic equipment products will be CE marked as required by Directive 2011/65/EU. Components may not be CE marked. Additionally, the part numbers that TE has identified as EU ELV compliant have a maximum concentration of 0.1% by weight in homogenous materials for lead, hexavalent chromium, and mercury, and 0.01% for cadmium, or qualify for an exemption to these limits as defined in the Annexes of Directive 2000/53/EC (ELV). Regarding the REACH Regulation, the information TE provides on SVHC in articles for this part number is based on the latest European Chemicals Agency (ECHA) 'Guidance on requirements for substances in articles' posted at this URL: <https://echa.europa.eu/guidance-documents/guidance-on-reach>

Compatible Parts



TE Part # 320138
TERMINAL,SOLIS R 2 1/4



TE Part # 320754
TERMINAL,SOLIS R 2 5/8



TE Part # 35185
TERMINAL,SOLIS R 2 1/2



TE Part # 35183
TERMINAL,SOLIS R 2 5/16



TE Part # 2-322870-2
STRATO-THERM, HR 2 5/16 NIPL



TE Part # 35187
SPLICE,SOLIS PARA 2



TE Part # 130558
TERMINAL,SOLIS R 2 10MM



TE Part # 35189
SPLICE,SOLIS BUTT 2



TE Part # 320755
TERMINAL,SOLIS R 2 3/4



TE Part # 323177
STRATO-THERM, HR 2 3/8 NIPL



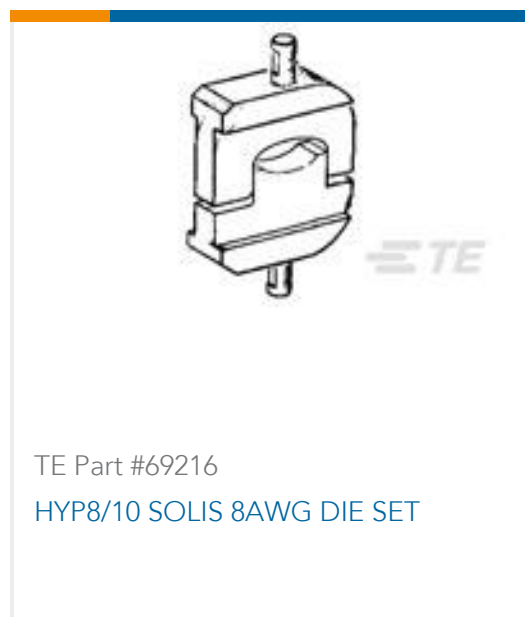
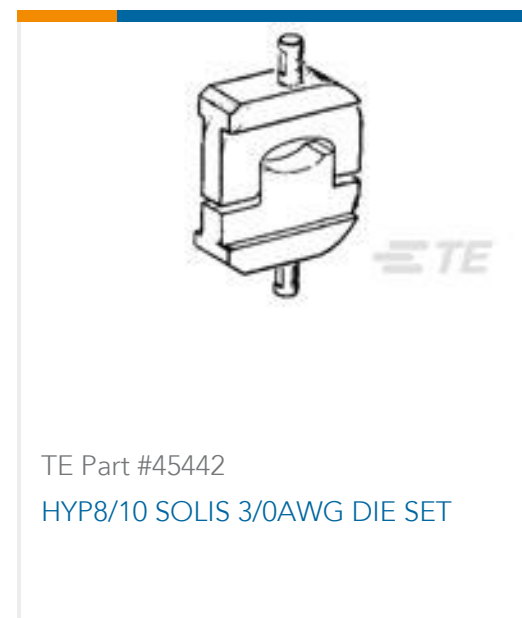
TE Part # 1752868-1
HYP10 12-350MCM 18T HEAD



TE Part # 69099
HYP8 12-350MCM 18T HEAD



Customers Also Bought



Documents



Datasheets & Catalog Pages

[AT-Hydraulic Crimp Tooling Solutions-1654519](#)

English

Bottoming Dies

English

Instruction Sheets

[Instruction Sheet \(U.S.\)](#)

English