



Application Tooling > Spare & Wear Tooling



Applicator & Product Style: **Heavy Duty Mini (HDM)**

Features

Other

Applicator & Product Style	Heavy Duty Mini (HDM)
----------------------------	-----------------------

Product Compliance

[For compliance documentation, visit the product page on TE.com>](#)

EU RoHS Directive 2011/65/EU	Compliant
EU ELV Directive 2000/53/EC	Compliant
China RoHS 2 Directive MIIT Order No 32, 2016	No Restricted Materials Above Threshold
EU REACH Regulation (EC) No. 1907/2006	Current ECHA Candidate List: JUNE 2023 (235) Candidate List Declared Against: JUNE 2023 (235) Does not contain REACH SVHC
Halogen Content	Low Halogen - Br, Cl, F, I < 900 ppm per homogenous material. Also BFR/CFR/PVC Free
Solder Process Capability	Not applicable for solder process capability

Product Compliance Disclaimer

This information is provided based on reasonable inquiry of our suppliers and represents our current actual knowledge based on the information they provided. This information is subject to change. The part numbers that TE has identified as EU RoHS compliant have a maximum concentration of 0.1% by weight in homogenous materials for lead, hexavalent chromium, mercury, PBB, PBDE, DBP, BBP, DEHP, DIBP, and 0.01% for cadmium, or qualify for an exemption to these limits as defined in the Annexes of Directive 2011/65/EU (RoHS2). Finished electrical and electronic equipment products will be CE marked as required by Directive 2011/65/EU. Components may not be CE marked. Additionally, the part numbers that TE has identified as EU ELV compliant have a maximum concentration of 0.1% by weight in homogenous materials for lead, hexavalent chromium, and mercury, and 0.01% for cadmium, or qualify for an exemption to these limits as defined in the Annexes of Directive 2000/53/EC (ELV). Regarding the REACH Regulation, the information TE provides on SVHC in articles for this part number is based on the latest European Chemicals Agency (ECHA) 'Guidance on requirements for substances in articles' posted at this URL: <https://echa.europa.eu/guidance-documents/guidance-on-reach>

Compatible Parts



TE Part # 1385197-2
HDM 9SMPR074F1000 K



TE Part # 1385455-2
HDM 9SMPR183F188BOXM K



TE Part # 1852412-3
HDM SMPRFA106F1400 G (CUTS)



TE Part # 1855490-3
HDM w/FA SMPR080F110OV G CUT



TE Part # 1855801-2
THRU SPLICE 5K, CE, GII AIR FEED



TE Part # 2-2837040-1
OC-PA-S-FM-090F120OV-040-0839



TE Part # 2-2837040-2
OC-PA-S-FA-090F120OV-040-0839



TE Part # 2151888-1
OC-AT-S-FM-078F080F-001-0328



TE Part # 2151888-2
OC-AT-S-FA-078F080F-001-0328



TE Part # 2837040-1
OC-AT-S-FM-090F120OV-040-0839



TE Part # 2837040-2
OC-AT-S-FA-090F120OV-040-0839



TE Part # 466047-2
HDM SMPR055F070OK



TE Part # 466390-3
HDM SMPR090F155OG



TE Part # 466439-2
HDM SMPR110F180OK



TE Part # 566460-2
THRU SPLICE 5K, CE, GII AIR FEED



TE Part # 680372-2
HDM 5SMPR042F055O K



TE Part # 680372-3
HDM 5SMPR042F055O G



TE Part # 2151958-1
OC-AT-S-FM-090F120F-105-1357

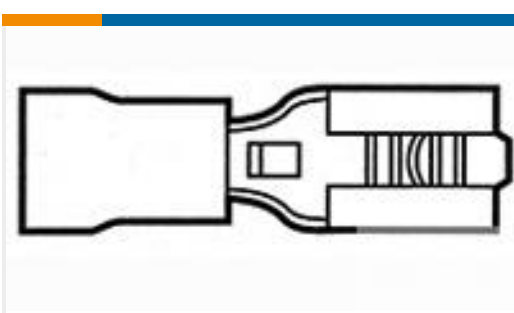


TE Part # 2-2151888-1
OC-PA-S-FM-078F080F-001-0328



TE Part # 1238044-2
HD-I 5SMPO070F100F KG

Customers Also Bought



TE Part #640916-1
RECEPT,PIDG FASTON 22-18 187



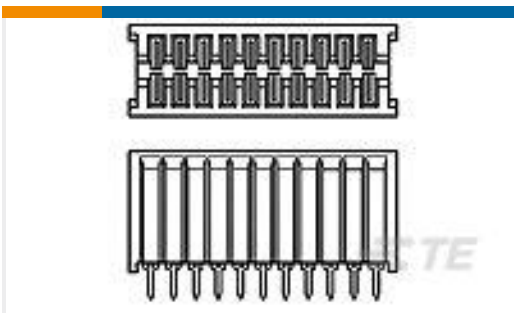
TE Part #1-454276-1
FLOATING SHEAR



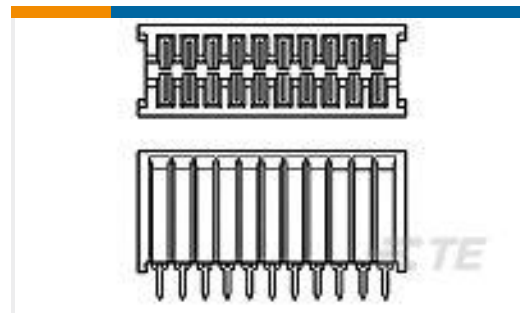
TE Part #456134-5
CRIMPER, INSULATION "F"(.130")



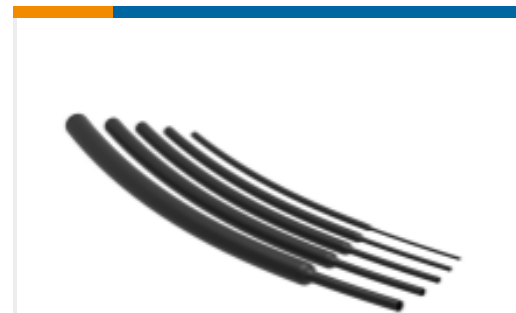
TE Part #3-456406-3
CRIMPER, WIRE .090 "F"



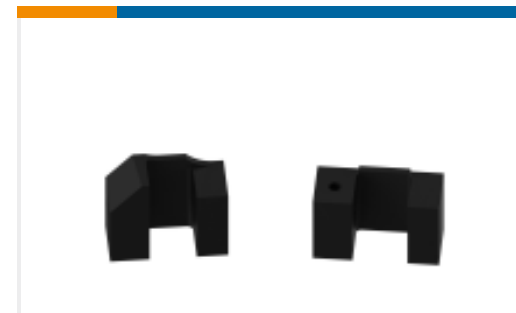
TE Part #338030-1
14P.AMP-EDGE CONN.



TE Part #338030-2
17P.AMP-EDGE CONN.



TE Part #NB14644001
VERSAFIT-3X-1/4-0-SP



TE Part #690459-1
SHEAR HOLDER-FRONT



TE Part #4-456135-8
CRIMPER, INSULATION "O"(.100")



TE Part #653521-1
STRIPPER BLADE

Documents

Datasheets & Catalog Pages

CRIMPING WHERE FORM MEETS FUNCTION

English

Instruction Sheets

Instruction Sheet (U.S.)

English