

# 4525DO-SS3AS015AP ✓ ACTIVE

MEAS | MEAS MS4525DO

TE Internal #: 4525DO-SS3AS015AP

Digital Pressure and Altimeter Sensor Modules, Absolute, 15 psi [1.034 bar], Output/Span 14 bit ADC, ±0.25% Span, Supply Voltage 3.3 V, MEAS MS4525DO

[View on TE.com >](#)



Sensors > Pressure Sensors > Board Mount Pressure Sensors > PCB MOUNTED DIGITAL PRESSURE SENSOR



Board Level Pressure Sensor Type: **Digital Pressure and Altimeter Sensor Modules**

Board Level Pressure Sensor Style: **Absolute**

Proof Pressure Range: **15 psi**

Pressure: **1.034 bar [ 15 psi ]**

Output/Span: **14 bit ADC**

## Features

### Product Type Features

Board Level Pressure Sensor Type	Digital Pressure and Altimeter Sensor Modules
Board Level Pressure Sensor Style	Absolute

### Configuration Features

Leads/Pins	Through Hole
------------	--------------

### Electrical Characteristics

Board Level Pressure Sensor Supply Voltage	3.3 V
--	-------

### Dimensions

Dimensions	12.5 x 9.9 mm [.49 x .39 in]
------------	------------------------------

### Usage Conditions

Pressure	1.034 bar [15 psi]
Operating Temperature Range	-25 – 105 °C [-13 – 221 °F]

### Operation/Application

Output Interface	I <sup>2</sup> C or SPI
Proof Pressure Range	15 psi
Output/Span	14 bit ADC
Board Level Pressure Sensor Accuracy	±0.25% Span



**Packaging Features**

Board Level Pressure Sensor Package	8 pin DIL
-------------------------------------	-----------

**Other**

Sensor Options	No Option
----------------	-----------

**Product Compliance**

[For compliance documentation, visit the product page on TE.com>](#)

EU RoHS Directive 2011/65/EU	Compliant
EU ELV Directive 2000/53/EC	Compliant
China RoHS 2 Directive MIIT Order No 32, 2016	No Restricted Materials Above Threshold
EU REACH Regulation (EC) No. 1907/2006	Current ECHA Candidate List: JUNE 2023 (235) Candidate List Declared Against: JUNE 2023 (235) Does not contain REACH SVHC
Halogen Content	Not Yet Reviewed for halogen content
Solder Process Capability	Not reviewed for solder process capability

Product Compliance Disclaimer

This information is provided based on reasonable inquiry of our suppliers and represents our current actual knowledge based on the information they provided. This information is subject to change. The part numbers that TE has identified as EU RoHS compliant have a maximum concentration of 0.1% by weight in homogenous materials for lead, hexavalent chromium, mercury, PBB, PBDE, DBP, BBP, DEHP, DIBP, and 0.01% for cadmium, or qualify for an exemption to these limits as defined in the Annexes of Directive 2011/65/EU (RoHS2). Finished electrical and electronic equipment products will be CE marked as required by Directive 2011/65/EU. Components may not be CE marked. Additionally, the part numbers that TE has identified as EU ELV compliant have a maximum concentration of 0.1% by weight in homogenous materials for lead, hexavalent chromium, and mercury, and 0.01% for cadmium, or qualify for an exemption to these limits as defined in the Annexes of Directive 2000/53/EC (ELV). Regarding the REACH Regulation, the information TE provides on SVHC in articles for this part number is based on the latest European Chemicals Agency (ECHA) 'Guidance on requirements for substances in articles' posted at this URL: <https://echa.europa.eu/guidance-documents/guidance-on-reach>

**Compatible Parts**

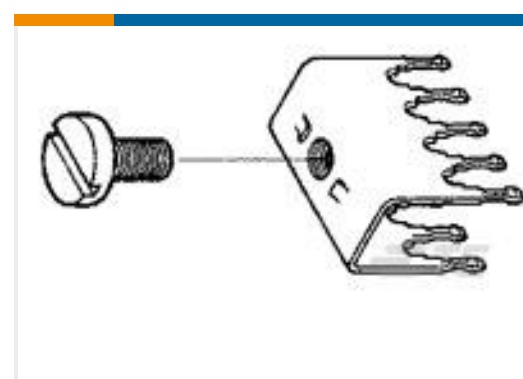
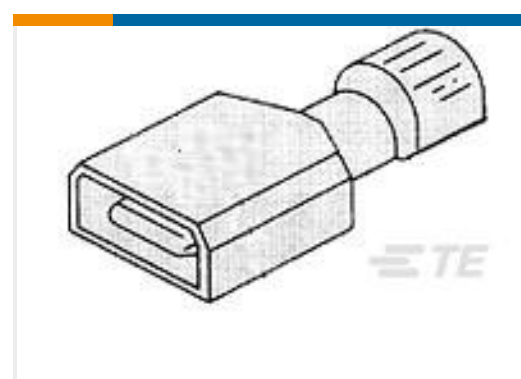
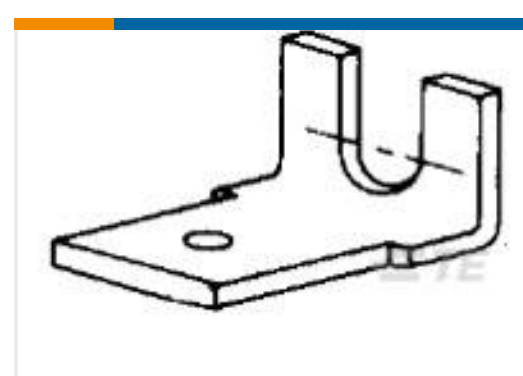


Also in the Series | **MEAS MS4525DO**



Board Mount Pressure Sensors(70)

## Customers Also Bought

TE Part #4525DO-DS5AI015DP  
PRESS XDCR,DIGITAL,PSI RANGETE Part #5569263-1  
STK MJ,8POS,2X6,SHLD,CAT5TE Part #5-103908-6  
07 MTE HDR SRST LATCH W/HLDWNTE Part #5-102202-1  
04 MODII HDR SRST SHRD LFTE Part #1116503-2  
MJ,10MM,8P,SHLD,NOPNL TABS,SNTE Part #5055323-9  
06 POWER TAP ASSY .125TE Part #3-521057-2  
ULTRAFast 250 ASSY TAB 16-14  
AWG TPBRTE Part #1617126-4  
JMAWD-26XL = M39016/15-033LTE Part #6-1393211-0  
T92P7A22-24TE Part #62166-1  
250 FASTON TAB BR

## Documents

### CAD Files

#### Customer View Model

[ENG\\_CVM\\_CVM\\_4525DO-SS3AS015AP\\_D.3d\\_stp.zip](#)

English

#### Customer View Model

[ENG\\_CVM\\_CVM\\_4525DO-SS3AS015AP\\_D.2d\\_dxf.zip](#)

English

#### Customer View Model

[ENG\\_CVM\\_CVM\\_4525DO-SS3AS015AP\\_D.3d\\_igs.zip](#)



English

[3D PDF](#)

3D

By downloading the CAD file I accept and agree to the [Terms and Conditions](#) of use.

---

## Datasheets & Catalog Pages

[Data sheet](#)

English

---

## Product Specifications

[MS45xx Series Surface Models](#)

English