



Connectors > Rectangular Connectors > Connector Contacts



Contact Type: **Socket**

Wire Size: **.14 – .5 mm²**

Connector & Contact Terminates To: **Wire & Cable**

Features

Product Type Features

Connector & Contact Terminates To	Wire & Cable
-----------------------------------	--------------

Contact Features

Contact Type	Socket
--------------	--------

Dimensions

Wire Size	.14 – .5 mm ²
-----------	--------------------------

Packaging Features

Packaging Quantity	1
Packaging Method	Package

Product Compliance

[For compliance documentation, visit the product page on TE.com>](#)

EU RoHS Directive 2011/65/EU	Compliant with Exemptions
EU ELV Directive 2000/53/EC	Compliant with Exemptions
China RoHS 2 Directive MIIT Order No 32, 2016	Restricted Materials Above Threshold
EU REACH Regulation (EC) No. 1907/2006	Current ECHA Candidate List: JUNE 2023 (235) Candidate List Declared Against: JUNE 2023 (235) SVHC > Threshold: Pb (1.2% in Component part) Article Safe Usage Statements: Do not eat, drink or smoke when using this product. Wash thoroughly after handling. Recycle if possible and dispose of the article by following all applicable governmental regulations relevant to your geographic location.
Halogen Content	Low Halogen - Br, Cl, F, I < 900 ppm per

homogenous material. Also BFR/CFR/PVC Free


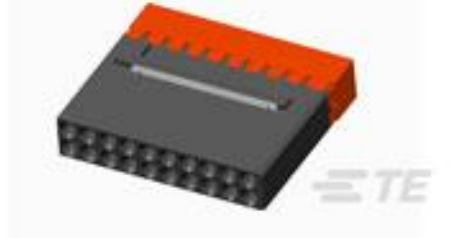


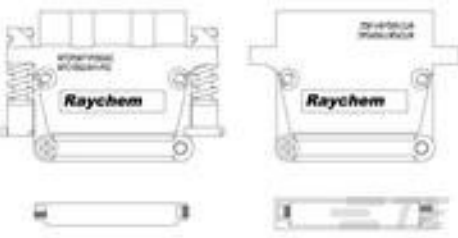



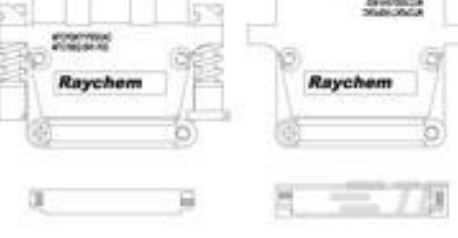
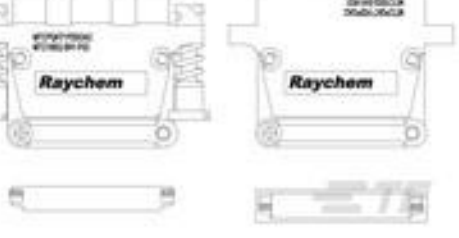

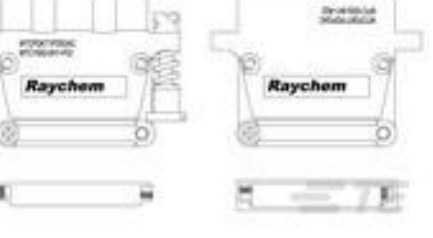
Solder Process Capability

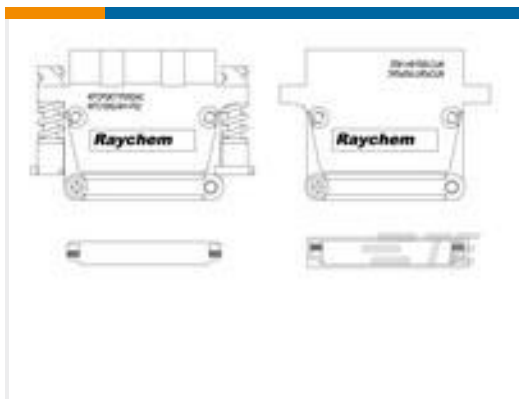
Not applicable for solder process capability

Product Compliance Disclaimer

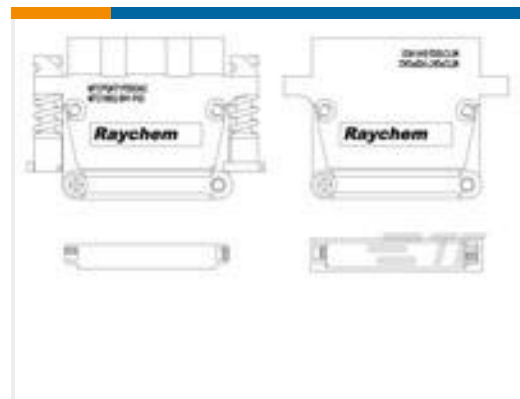
This information is provided based on reasonable inquiry of our suppliers and represents our current actual knowledge based on the information they provided. This information is subject to change. The part numbers that TE has identified as EU RoHS compliant have a maximum concentration of 0.1% by weight in homogenous materials for lead, hexavalent chromium, mercury, PBB, PBDE, DBP, BBP, DEHP, DIBP, and 0.01% for cadmium, or qualify for an exemption to these limits as defined in the Annexes of Directive 2011/65/EU (RoHS2). Finished electrical and electronic equipment products will be CE marked as required by Directive 2011/65/EU. Components may not be CE marked. Additionally, the part numbers that TE has identified as EU ELV compliant have a maximum concentration of 0.1% by weight in homogenous materials for lead, hexavalent chromium, and mercury, and 0.01% for cadmium, or qualify for an exemption to these limits as defined in the Annexes of Directive 2000/53/EC (ELV). Regarding the REACH Regulation, the information TE provides on SVHC in articles for this part number is based on the latest European Chemicals Agency (ECHA) 'Guidance on requirements for substances in articles' posted at this URL: <https://echa.europa.eu/guidance-documents/guidance-on-reach>

Compatible Parts

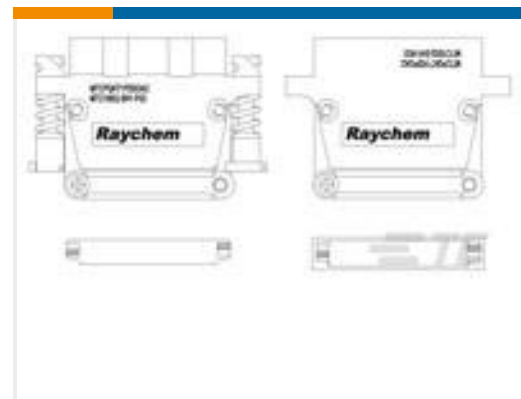
 <p>TE Part # 253627-000 MTCP-122-20S2</p>	 <p>TE Part # 258215-000 MTCP-122-20S1</p>	 <p>TE Part # 494203-000 MTCP-122-20S</p>	 <p>TE Part # 226335-000 CTA-0166</p>
 <p>TE Part # CR5573-000 MTCPOKT2P22SFCD</p>	 <p>TE Part # 335591-000 MTCP-122-20S-023</p>	 <p>TE Part # 503499-000 MTCP-122-20S2-023</p>	 <p>TE Part # 768792-000 MTCPOKT1P2SFCA</p>
 <p>TE Part # D14355-000 MTCPOKT1P2SFDC</p>	 <p>TE Part # E39722-000 MTCPOKT1P2SGBB</p>	 <p>TE Part # C17447-000 MTCPOKT1P2SGBC</p>	 <p>TE Part # C11175-000 MTCPOKT1P2SGDA</p>



TE Part # C62250-000
MTCPQKT1P2SGDD



TE Part # E98957-000
MTCPQKT2P22SFCB



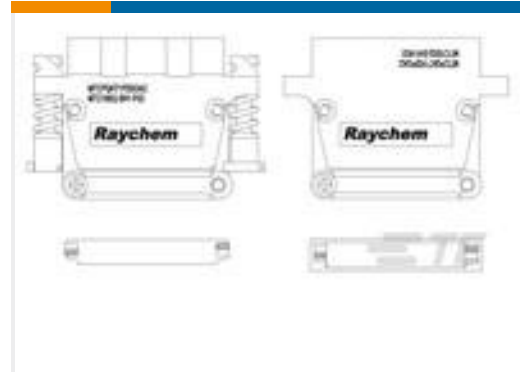
TE Part # E72382-000
MTCPQKT2P22SGBD



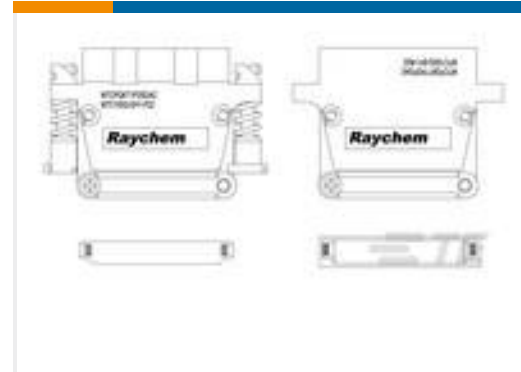
TE Part # 539106-000
MTCPQKT2P26PFBA



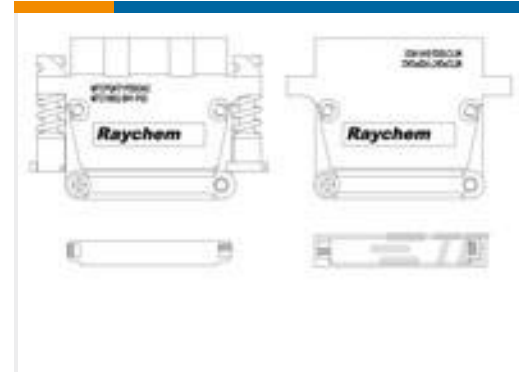
TE Part # A88761-000
MTCPQKT2P26PFBC



TE Part # D72606-000
MTCPQKT2P26PFBD



TE Part # C14529-000
MTCPQKT2P26PGAC



TE Part # E14235-000
MTCPQKT2P26PGBA

Customers Also Bought



TE Part #211600-2
DUST COVER,SZ 2,NIC 600



TE Part #2596914002
ZHTM-50/30-0-SP



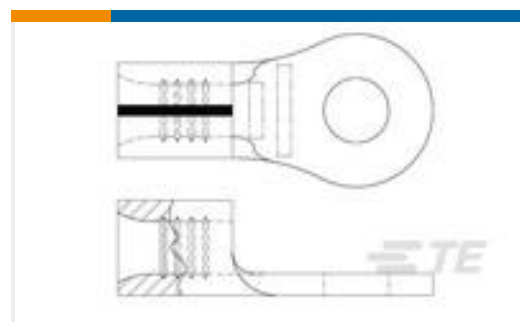
TE Part #F94336-000
CHA-0308



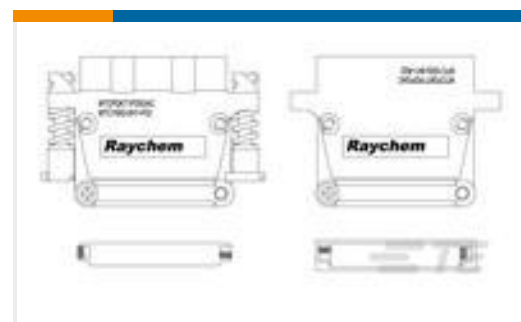
TE Part #E92721-000
CHA-0306



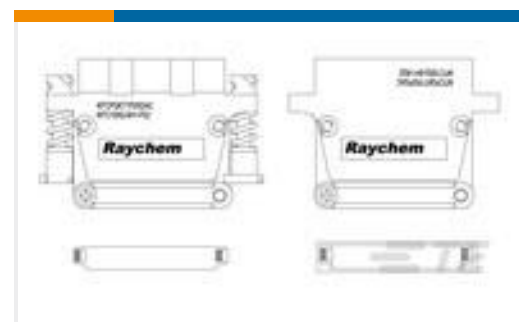
TE Part #161381-000
55PC1131-22-2/4/6-9CS2502



TE Part #322795
SOLIS R HR 22-16COM 22-18MIL 2



TE Part #C11175-000
MTCPQKT1P2SGDA



TE Part #C59728-000
MTCPQKT2P22SGAA



TE Part #650083N002
D-436-59CS2612

Documents



Product Drawings

[CTA-0165](#)

English

CAD Files

3D PDF

3D

Customer View Model

[ENG_CVM_CVM_450213-000_H.2d_dxf.zip](#)

English

Customer View Model

[ENG_CVM_CVM_450213-000_H.3d_igs.zip](#)

English

Customer View Model

[ENG_CVM_CVM_450213-000_H.3d_stp.zip](#)

English

By downloading the CAD file I accept and agree to the [Terms and Conditions](#) of use.

Datasheets & Catalog Pages

[Products for Aerospace and Defense](#)

English

Product Specifications

[MTC Quick-Disconnect Connectors with Removable Contacts](#)

English

[MTC Connectors with Removable Contacts and Jackscrew Coupling Hardware](#)

English

Product Environmental Compliance

[TE Material Declaration](#)

English