

444335-2 ✓ ACTIVE

FASTON | FASTON 250

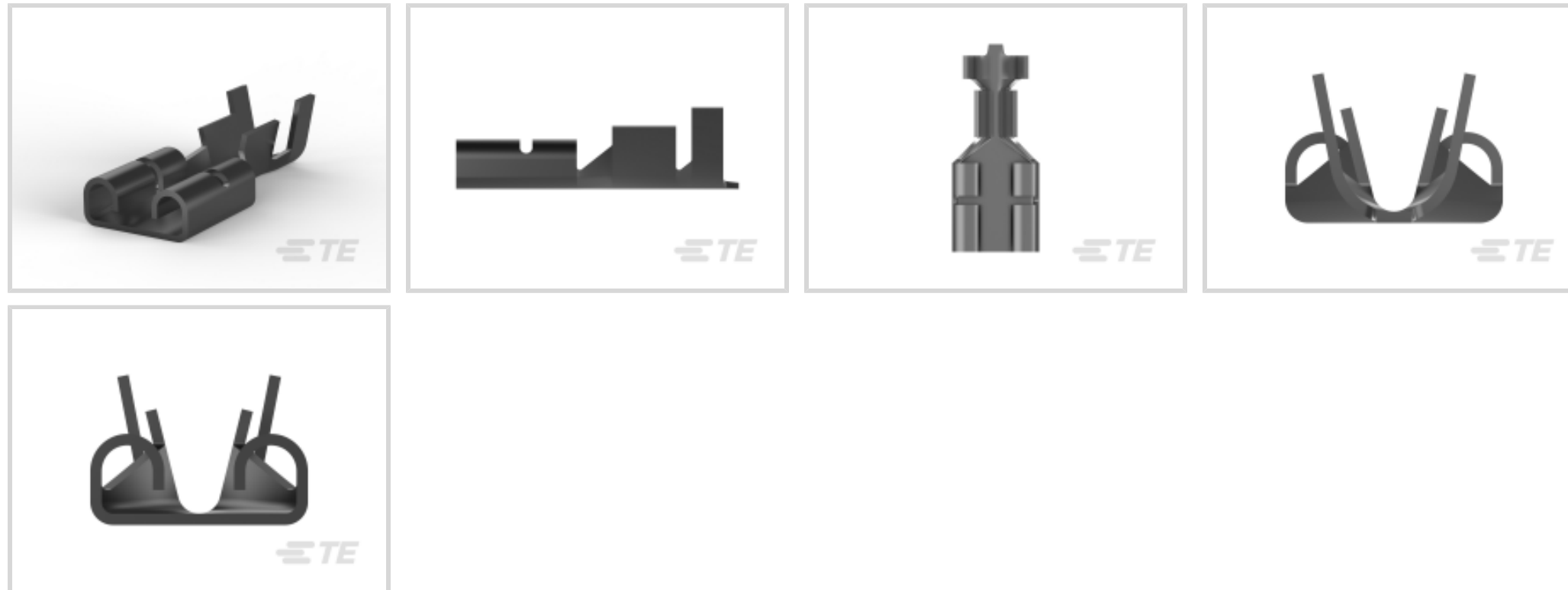
TE Internal #: 444335-2

Quick Disconnects, Receptacle, 16 – 14 AWG Wire Size, 1 – 2.5 mm² Wire Size, Mating Tab Width 6.35 mm [.25 in], Straight, Brass, FASTON 250

[View on TE.com >](#)



Terminals & Splices > Quick Disconnects



Quick Disconnect Terminal Type: **Receptacle**

Wire Size: 1 – 2.5 mm²

Mating Tab Width: 6.35 mm [.25 in]

Mating Tab Thickness: .64 mm [.025 in]

Features

Product Type Features

Insertion Force	Low
-----------------	-----

Configuration Features

Compatible With Wire & Cable Type	Discrete Wire
-----------------------------------	---------------

Electrical Characteristics

Voltage Rating	240 V
----------------	-------

Contact Features

Quick Disconnect Terminal Type	Receptacle
--------------------------------	------------

Mating Tab Width	6.35 mm [.25 in]
------------------	------------------

Mating Tab Thickness	.64 mm [.025 in]
----------------------	------------------

Terminal Orientation	Straight
----------------------	----------

Contact Base Material	Brass
-----------------------	-------

Terminal Plating Material	Tin
---------------------------	-----

Crimp Type	F-Crimp
------------	---------

Barrel Type	Open
-------------	------



Termination Features

Product Terminates To	Wire & Cable
-----------------------	--------------

Mechanical Attachment

Extraction Force	20 – 50 Newton
Wire Insulation Support	With
Mating Retention Type	Dimple

Dimensions

Terminal Material Thickness	.41 mm[.016 in]
Product Length	17.2 mm[.677 in]
Compatible Insulation Diameter Range	3 – 4.3 mm[.118 – .169 in]
Wire Size	1 – 2.5 mm ²

Usage Conditions

Insulation Option	Uninsulated
Operating Temperature Range	-40 – 110 °C[-40 – 230 °F]

Industry Standards

Agency/Standard	UL
-----------------	----

Packaging Features

Packaging Quantity	10000
Packaging Method	Strip/Reel

Product Compliance

[For compliance documentation, visit the product page on TE.com>](#)

EU RoHS Directive 2011/65/EU	Compliant
EU ELV Directive 2000/53/EC	Compliant
China RoHS 2 Directive MIIT Order No 32, 2016	No Restricted Materials Above Threshold
EU REACH Regulation (EC) No. 1907/2006	Current ECHA Candidate List: JUNE 2023 (235) Candidate List Declared Against: JUNE 2023 (235) Does not contain REACH SVHC
Halogen Content	Low Halogen - Br, Cl, F, I < 900 ppm per homogenous material. Also BFR/CFR/PVC Free
Solder Process Capability	Not applicable for solder process capability

Product Compliance Disclaimer

This information is provided based on reasonable inquiry of our suppliers and represents our current actual knowledge based on the information they provided. This information is subject to change. The part numbers that TE has identified as EU RoHS compliant have a maximum concentration of 0.1% by weight in homogenous materials for lead, hexavalent chromium, mercury, PBB, PBDE, DBP, BBP, DEHP, DIBP, and 0.01% for cadmium, or qualify for an exemption to these limits as defined in the Annexes of Directive 2011/65/EU (RoHS2). Finished electrical and electronic equipment products will be CE marked as required by Directive 2011/65/EU. Components may not be CE marked. Additionally, the part numbers that TE has identified as EU ELV compliant have a maximum concentration of 0.1% by weight in homogenous materials for lead, hexavalent chromium, and mercury, and 0.01% for cadmium, or qualify for an exemption to these limits as defined in the Annexes of Directive 2000/53/EC (ELV). Regarding the REACH Regulation, the information TE provides on SVHC in articles for this part number is based on the latest European Chemicals Agency (ECHA) 'Guidance on requirements for substances in articles' posted at this URL: <https://echa.europa.eu/guidance-documents/guidance-on-reach>

Compatible Parts

TE Part # 2150004-1
OCEAN_2.0_Applicator-E-110F180F

TE Part # 2150004-2
OCEAN_2.0_Applicator-E-110F180F

TE Part # 7-2150004-1
OCEAN_2.0_Applicator-E-110F180F

TE Part # 7-2150004-2
OCEAN_2.0_Applicator-E-110F180F

KIT
REPRESENTATION ONLY

TE Part # 7-2150004-7
OCEAN_2.0_SPARE_PART_KIT-110F180F

KIT
REPRESENTATION ONLY

TE Part # 7-1893897-1
KIT FOR APPLICATOR

TE Part # 3-1893839-1
MINI APPLICATOR SIDE FEED

Also in the Series | FASTON 250

Compression Connectors(4)

Crimp Terminal Housings(142)

Insertion & Extraction Tools(6)

Magnet Wire Terminals(1)



PCB Terminals(135)

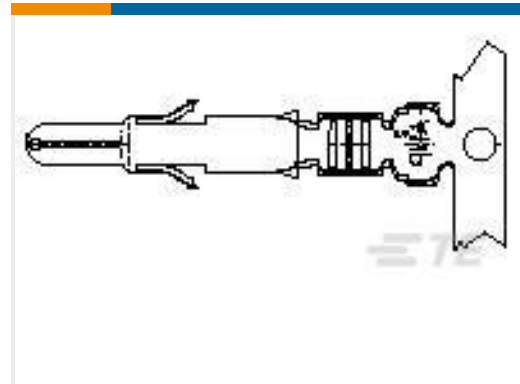
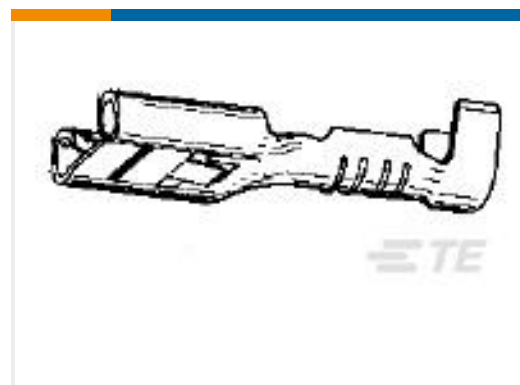


Quick Disconnects(445)



Splices(4)

Customers Also Bought

TE Part #180363-2
250 FASTON,REC.,12-10 AWG,TPBRTE Part #881109-1
U-M-N-L SPLIT PINTE Part #175057-2
250 PL EX FLAG REC. 18-12AWG TPBRTE Part #626036-2
RING TONGUE TERMINAL 4.0-6.0
MM2 TPBRTE Part #880636-2
FF 250 TAB 1.0-2.5 MM2 0.39 X 13.2
TPBRTE Part #735222-2
FF 250 REC 1.0-2.5 MM2 0.32X 19.30
BRTE Part #1-2133346-0
250 FASTON HSG.,REC.,1 POS,
NATRUALTE Part #444026-1
RING TONGUE ANTI ROTATIONAL 1-
5 MM2 BRTE Part #626279-1
RING TONGUE 0.5-1.50 MM2
PLAINNUBR

Documents

Product Drawings

[250 FASTON REC 16-14 AWG TPBR](#)

English

CAD Files

[Customer View Model](#)

[ENG_CVM_CVM_444335-2_J2.2d_dxf.zip](#)

English

[Customer View Model](#)



[ENG_CVM_CVM_444335-2_J2.3d_stp.zip](#)

English

Customer View Model

[ENG_CVM_CVM_444335-2_J2.3d_igs.zip](#)

English

3D PDF

3D

By downloading the CAD file I accept and agree to the [Terms and Conditions](#) of use.

Product Specifications

[EB**General Application Specification for Open Barrel Terminals](#)

English

Application Specification

English

Agency Approvals

[Agency Approval Document](#)

English