



AMP-IN

TE Internal #: 444082-2

PCB Terminals, PCB Pin, PCB Hole Diameter 1.3 mm [.051 in], 25 – 22 AWG Wire Size, .14 – .35 mm² Wire Size, Tin Plating, Nickel, Reel

[View on TE.com >](#)

Terminals & Splices > PCB Terminals



PCB Terminal Type: **PCB Pin**

PCB Thickness (Recommended): **1.64 mm [.064 in]**

PCB Hole Diameter: **1.3 mm [.051 in]**

Compatible Insulation Diameter (Max): **1.52 mm [.06 in]**

Compatible Insulation Diameter Range: **1.52 mm [.06 in]**

Features

Contact Features

| | |
|-------------------------------|-----------|
| PCB Terminal Type | PCB Pin |
| Terminal Plating Material | Tin |
| Contact Underplating Material | Nickel |
| Terminal Size | Miniature |
| Terminal Orientation | Straight |

Termination Features

| | |
|-----------------------|--------------|
| Product Terminates To | Wire & Cable |
|-----------------------|--------------|

Mechanical Attachment

| | |
|-------------------------|------|
| Wire Insulation Support | With |
|-------------------------|------|

Dimensions

| | |
|--------------------------------------|------------------|
| Extension Below Board | 2.1 mm[.082 in] |
| PCB Thickness (Recommended) | 1.64 mm[.064 in] |
| PCB Hole Diameter | 1.3 mm[.051 in] |
| Compatible Insulation Diameter (Max) | 1.52 mm[.06 in] |



| | |
|--------------------------------------|-----------------|
| Compatible Insulation Diameter Range | 1.52 mm[.06 in] |
|--------------------------------------|-----------------|

| | |
|-----------|---------------------------|
| Wire Size | .14 – .35 mm ² |
|-----------|---------------------------|

Usage Conditions

| | |
|-------------------|-------------|
| Insulation Option | Uninsulated |
|-------------------|-------------|

| | |
|-----------------------------|----------------------------|
| Operating Temperature Range | -40 – 105 °C[-40 – 221 °F] |
|-----------------------------|----------------------------|

Packaging Features

| | |
|--------------------|-------|
| Packaging Quantity | 15000 |
|--------------------|-------|

| | |
|------------------|------|
| Packaging Method | Reel |
|------------------|------|

Product Compliance

[For compliance documentation, visit the product page on TE.com>](#)

| | |
|------------------------------|-----------|
| EU RoHS Directive 2011/65/EU | Compliant |
|------------------------------|-----------|

| | |
|-----------------------------|-----------|
| EU ELV Directive 2000/53/EC | Compliant |
|-----------------------------|-----------|

| | |
|---|---|
| China RoHS 2 Directive MIIT Order No 32, 2016 | No Restricted Materials Above Threshold |
|---|---|

| | |
|--|---|
| EU REACH Regulation (EC) No. 1907/2006 | Current ECHA Candidate List: JUNE 2023 (235) Candidate List Declared Against: JUNE 2023 (235) Does not contain REACH SVHC |
|--|---|

| | |
|-----------------|---|
| Halogen Content | Low Halogen - Br, Cl, F, I < 900 ppm per homogenous material. Also BFR/CFR/PVC Free |
|-----------------|---|

| | |
|---------------------------|------------------------------|
| Solder Process Capability | Wave solder capable to 265°C |
|---------------------------|------------------------------|

Product Compliance Disclaimer

This information is provided based on reasonable inquiry of our suppliers and represents our current actual knowledge based on the information they provided. This information is subject to change. The part numbers that TE has identified as EU RoHS compliant have a maximum concentration of 0.1% by weight in homogenous materials for lead, hexavalent chromium, mercury, PBB, PBDE, DBP, BBP, DEHP, DIBP, and 0.01% for cadmium, or qualify for an exemption to these limits as defined in the Annexes of Directive 2011/65/EU (RoHS2). Finished electrical and electronic equipment products will be CE marked as required by Directive 2011/65/EU. Components may not be CE marked. Additionally, the part numbers that TE has identified as EU ELV compliant have a maximum concentration of 0.1% by weight in homogenous materials for lead, hexavalent chromium, and mercury, and 0.01% for cadmium, or qualify for an exemption to these limits as defined in the Annexes of Directive 2000/53/EC (ELV). Regarding the REACH Regulation, the information TE provides on SVHC in articles for this part number is based on the latest European Chemicals Agency (ECHA) 'Guidance on requirements for substances in articles' posted at this URL: <https://echa.europa.eu/guidance-documents/guidance-on-reach>

Compatible Parts



TE Part # 2305570-1
Strip Terminal Cutter-Side Feed-No Crimp



TE Part # 2-2266406-1
OC-PA-S-FM-042F070F-001-0127



TE Part # 2-2266406-2
OC-PA-S-FA-042F070F-001-0127



TE Part # 2266406-1
OC-AT-S-FM-042F070F-001-0127

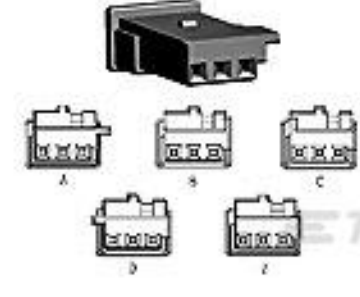


TE Part # 2266406-2
OC-AT-S-FA-042F070F-001-0127



KIT
TE Part # 7-2266406-7
OC-042F070F-CRIMPTOOLINGKIT

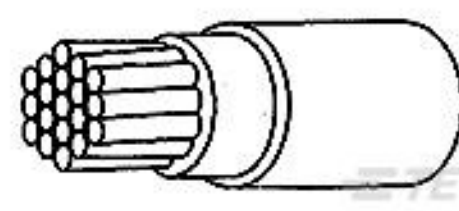
Customers Also Bought



TE Part #4-1718346-1
3POS MQS REC COD D



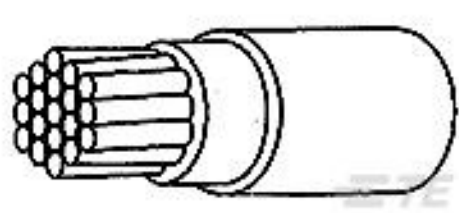
TE Part #881719-1
FASTIN FASTON 110 TAB 0.5-1.0 MM2 BR



TE Part #2046713001
FLT0111-0.50-2



TE Part #2857533007
44A0111-26-3




TE Part #2723233001
FLT0111-0.25-0



TE Part #880309-1
1 WAY FF 250 HOUSING TAB NYLON 6.6 NAT



TE Part #626378-1
250 FASTON TAB 18-14 AWG BR



TE Part #350566-3
MINI AMP-IN 22-18 PTPBR



TE Part #880646-1
PL REC 0.5-1.0MM2 0.40 X 52.32 BR



TE Part #444012-2
POSITIVE MATE REC

Documents



Product Drawings

MINI AMP IN SHORT V

English

CAD Files

3D PDF

3D

Customer View Model

[ENG_CVM_CVM_444082-2_E_c-444082-2-e.2d_dxf.zip](#)

English

Customer View Model

[ENG_CVM_CVM_444082-2_E_c-444082-2-e.3d_igs.zip](#)

English

Customer View Model

[ENG_CVM_CVM_444082-2_E_c-444082-2-e.3d_stp.zip](#)

English

By downloading the CAD file I accept and agree to the [Terms and Conditions](#) of use.

Product Specifications

Application Specification

English