

42827-2 ✓ ACTIVE

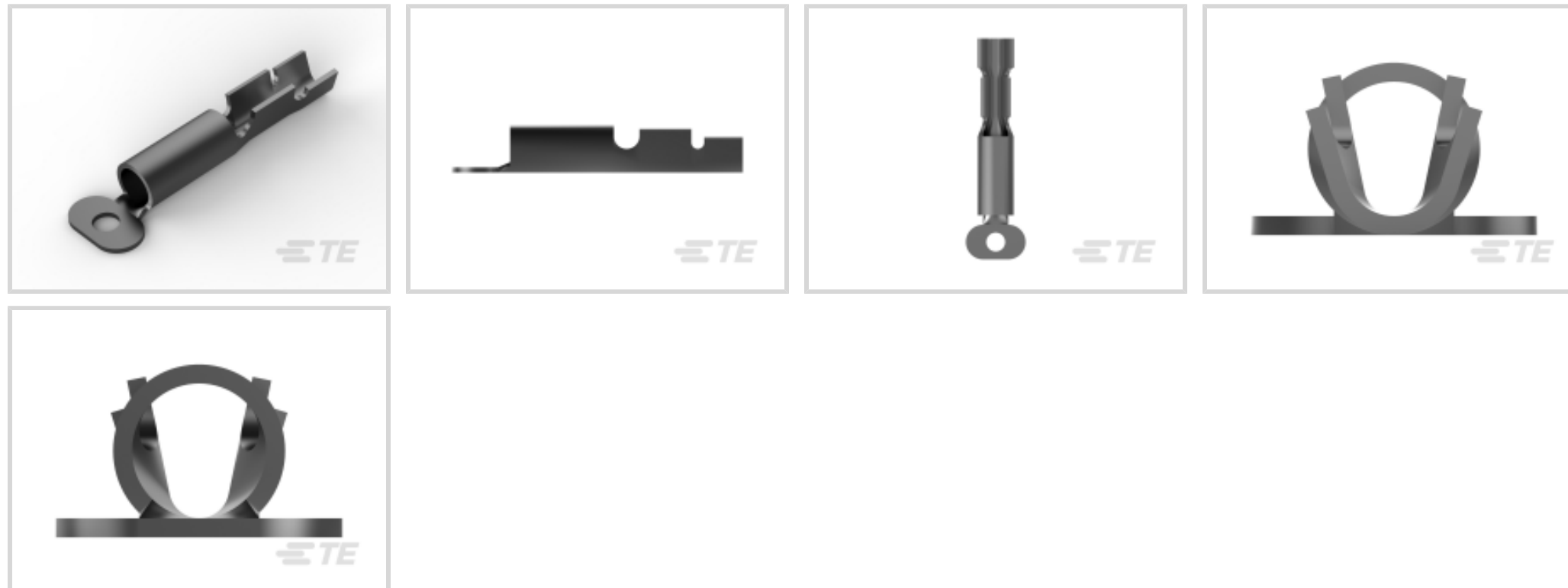
TE Internal #: 42827-2

Crimp Wire Pins, Tabs & Ferrules, Receptacle, Mating Pin Diameter
2.36 mm [.093 in], 24 – 18 AWG Wire Size, .2 – .8 mm² Wire Size

[View on TE.com >](#)



Terminals & Splices > Crimp Wire Pins, Tabs & Ferrules



Crimp Wire Terminal Type: **Receptacle**

Mating Pin Diameter: **2.36 mm [.093 in]**

Compatible Insulation Diameter Range: **1.14 – 2.16 mm, 2.16 mm [.045 – .085 in, .085 in]**

Wire Size: **.2 – .8 mm²**

Features

Product Type Features

Compatible With Discrete Wire Type

Solid, Stranded

Configuration Features

Compatible With Wire & Cable Type

Discrete Wire

Contact Features

Crimp Wire Terminal Type

Receptacle

Mating Pin Diameter

2.36 mm [.093 in]

Barrel Type

Open

Terminal Plating Material

Tin

Terminal Orientation

Straight

Mechanical Attachment

Wire Insulation Support

With

Dimensions

Compatible Insulation Diameter Range

1.14 – 2.16 mm, 2.16 mm [.045 – .085 in][.085 in]

Wire Size

404 – 1624 CMA

Barrel Inside Diameter

1.01 mm, 1.65 mm [.04 in][.065 in]



Terminal Material Thickness	.3 mm[.012 in]
-----------------------------	----------------

Overall Product Length	14.23 mm[.56 in]
------------------------	------------------

Usage Conditions

Insulation Option	Uninsulated
-------------------	-------------

Packaging Features

Packaging Quantity	20000
--------------------	-------

Packaging Method	Reel
------------------	------

Product Compliance

[For compliance documentation, visit the product page on TE.com>](#)

EU RoHS Directive 2011/65/EU	Compliant
------------------------------	-----------

EU ELV Directive 2000/53/EC	Compliant
-----------------------------	-----------

China RoHS 2 Directive MIIT Order No 32, 2016	No Restricted Materials Above Threshold
---	---

EU REACH Regulation (EC) No. 1907/2006	Current ECHA Candidate List: JUNE 2023 (235) Candidate List Declared Against: JUNE 2023 (235) Does not contain REACH SVHC
--	---

Halogen Content	Low Halogen - Br, Cl, F, I < 900 ppm per homogenous material. Also BFR/CFR/PVC Free
-----------------	---

Solder Process Capability	Not applicable for solder process capability
---------------------------	--

Product Compliance Disclaimer

This information is provided based on reasonable inquiry of our suppliers and represents our current actual knowledge based on the information they provided. This information is subject to change. The part numbers that TE has identified as EU RoHS compliant have a maximum concentration of 0.1% by weight in homogenous materials for lead, hexavalent chromium, mercury, PBB, PBDE, DBP, BBP, DEHP, DIBP, and 0.01% for cadmium, or qualify for an exemption to these limits as defined in the Annexes of Directive 2011/65/EU (RoHS2). Finished electrical and electronic equipment products will be CE marked as required by Directive 2011/65/EU. Components may not be CE marked. Additionally, the part numbers that TE has identified as EU ELV compliant have a maximum concentration of 0.1% by weight in homogenous materials for lead, hexavalent chromium, and mercury, and 0.01% for cadmium, or qualify for an exemption to these limits as defined in the Annexes of Directive 2000/53/EC (ELV). Regarding the REACH Regulation, the information TE provides on SVHC in articles for this part number is based on the latest European Chemicals Agency (ECHA) 'Guidance on requirements for substances in articles' posted at this URL: <https://echa.europa.eu/guidance-documents/guidance-on-reach>

Compatible Parts

TE Part # 140712-2
PIN .155 DIA REC 18-14 AWG TPBR

TE Part # 60885-2
PIN .055 REC 24-20 AWG TPPHBZ

TE Part # 60440-1
PIN 093 RECEPTACLE 22-18 AWG BR

TE Part # 2-2150541-1
OCEAN-2.0-APPLICATOR-S--070F0900

TE Part # 2-2150541-2
OCEAN-2.0-APPLICATOR-S-070F0900

TE Part # 2150541-1
OCEAN-2.0-APPLICATOR-S--070F0900

TE Part # 2150541-2
OCEAN-2.0-APPLICATOR-S--070F0900

TE Part # 7-2150541-7
OCEAN_2.0_SPARE_PART_KIT-070F0900

Customers Also Bought

TE Part #2-520103-2
ULTRA-FAST 250 ASSEMBLY TAB 22-18 AWG BR

TE Part #63316-5
187 FASTON FLAG REC 18-14 AWG TPBR

TE Part #41854
PIN 093 (2.36 MM) REC 22-18 AWG TPBR

TE Part #63609-2
250 FASTON REC 22-18 AWG TPBR

TE Part #42037-2
RING TERMINAL 22-18 AWG TPBR

TE Part #5-1377174-9
SMP 0-0141878-2

TE Part #607381P046
SCT-NO.2-E5-0-STK

TE Part #1-456406-6
CRIMPER WIRE .090 F

TE Part #1-480340-0
06P CMNL CAP HSG F/H NATL

TE Part #001-0010
ANTENNA,2.4 GHZ Dipole,IP67

Documents



Product Drawings

[PIN .093 RECEPTACLE 24-18 AWG TPBR](#)

English

CAD Files

Customer View Model

[ENG_CVM_CVM_42827-2_AC.2d_dxf.zip](#)

English

3D PDF

3D

Customer View Model

[ENG_CVM_CVM_42827-2_AC.3d_igs.zip](#)

English

Customer View Model

[ENG_CVM_CVM_42827-2_AC.3d_stp.zip](#)

English

By downloading the CAD file I accept and agree to the [Terms and Conditions](#) of use.

Product Specifications

[Application Specification](#)

English

[Pin Receptacle Contact With Closed Seam](#)

English

Product Environmental Compliance

[MD_42827-2_1003201635_dmtec](#)

English

[MD_42827-2_1003201635_dmtec](#)

English