

42779-1 ✓ ACTIVE

AMPLIVAR

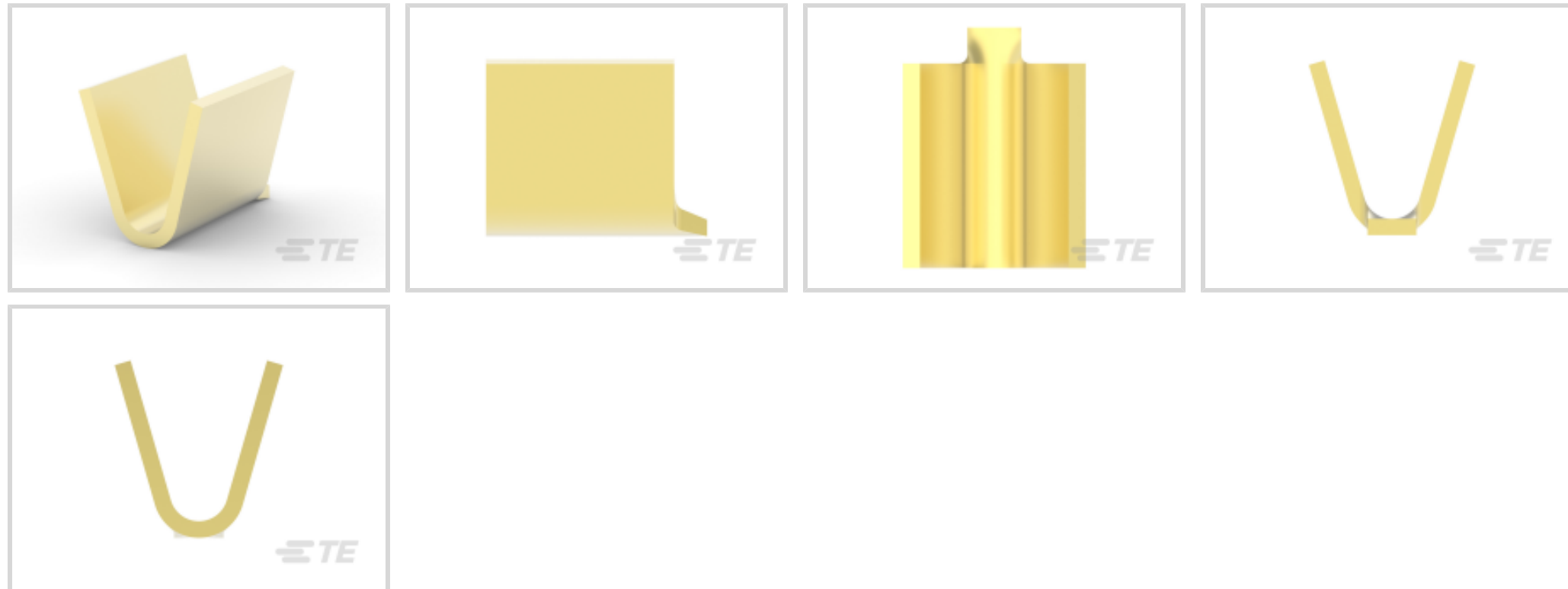
TE Internal #: 42779-1

Splices, Thru Splice, 15.5 – 12 AWG Wire Size, 1.54 – 3.46 mm<sup>2</sup> Wire Size, Splice Capacity 3, Serrated, 3000 – 7000 CMA Wire Size, Brass, AMPLIVAR

[View on TE.com >](#)



Terminals & Splices > Splices



Wire Size: 1.54 – 3.46 mm<sup>2</sup>

Sealable: No

Splice Capacity: 3

Splice Features: Serrated

### Features

#### Product Type Features

Sealable	No
Splice Type	Thru Splice
Compatible With Discrete Wire Type	Magnet Wire, Solid

#### Configuration Features

Strip Orientation	End Feed
Splice Capacity	3
Number of Serrations	5

#### Electrical Characteristics

Operating Voltage	250 V
-------------------	-------

#### Body Features

Product Weight	.287 g
Splice Features	Serrated

#### Contact Features

Terminal Plating Material	Unplated
---------------------------	----------



Contact Base Material	Brass
-----------------------	-------

Barrel Type	Open
-------------	------

### Termination Features

Crimp Width	2.79 mm[.11 in]
-------------	-----------------

### Mechanical Attachment

Wire Insulation Support	Without
-------------------------	---------

### Dimensions

Wire Size	3000 – 7000 CMA
-----------	-----------------

Terminal Material Thickness	.51 mm[.02 in]
-----------------------------	----------------

Product Length	5.72 mm[.225 in]
----------------	------------------

### Usage Conditions

Insulation Option	Uninsulated
-------------------	-------------

Operating Temperature Range	-65 – 150 °C[-85 – 302 °F]
-----------------------------	----------------------------

### Operation/Application

Compatible With Wire Base Material	Copper
------------------------------------	--------

### Industry Standards

Government Qualified Splice	No
-----------------------------	----

### Packaging Features

Packaging Quantity	20000
--------------------	-------

Packaging Method	Strip
------------------	-------

### Product Compliance

[For compliance documentation, visit the product page on TE.com>](#)

EU RoHS Directive 2011/65/EU	Compliant
------------------------------	-----------

EU ELV Directive 2000/53/EC	Compliant
-----------------------------	-----------

China RoHS 2 Directive MIIT Order No 32, 2016	No Restricted Materials Above Threshold
-----------------------------------------------	-----------------------------------------

EU REACH Regulation (EC) No. 1907/2006	Current ECHA Candidate List: JUNE 2023 (235) Candidate List Declared Against: JUNE 2023 (235) Does not contain REACH SVHC
----------------------------------------	---------------------------------------------------------------------------------------------------------------------------------

Halogen Content	Low Halogen - Br, Cl, F, I < 900 ppm per homogenous material. Also BFR/CFR/PVC Free
-----------------	-------------------------------------------------------------------------------------

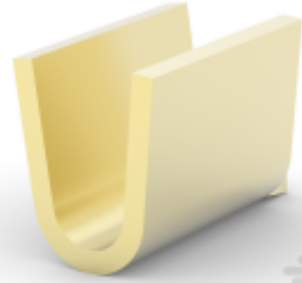
Solder Process Capability

Not applicable for solder process capability

Product Compliance Disclaimer

This information is provided based on reasonable inquiry of our suppliers and represents our current actual knowledge based on the information they provided. This information is subject to change. The part numbers that TE has identified as EU RoHS compliant have a maximum concentration of 0.1% by weight in homogenous materials for lead, hexavalent chromium, mercury, PBB, PBDE, DBP, BBP, DEHP, DIBP, and 0.01% for cadmium, or qualify for an exemption to these limits as defined in the Annexes of Directive 2011/65/EU (RoHS2). Finished electrical and electronic equipment products will be CE marked as required by Directive 2011/65/EU. Components may not be CE marked. Additionally, the part numbers that TE has identified as EU ELV compliant have a maximum concentration of 0.1% by weight in homogenous materials for lead, hexavalent chromium, and mercury, and 0.01% for cadmium, or qualify for an exemption to these limits as defined in the Annexes of Directive 2000/53/EC (ELV). Regarding the REACH Regulation, the information TE provides on SVHC in articles for this part number is based on the latest European Chemicals Agency (ECHA) 'Guidance on requirements for substances in articles' posted at this URL: <https://echa.europa.eu/guidance-documents/guidance-on-reach>

### Compatible Parts



TE Part # 63564-1  
SPLICE AMVAR 2000-5400 020BR



TE Part # 2-2150228-2  
OCEAN\_2.0\_Applicator-E-140F



TE Part # 2150228-2  
OCEAN\_2.0\_Applicator-E-140F



TE Part # 466545-2  
APPL,HDM,SPA 5EAPR140F K



TE Part # 680184-3  
HDM SPA 9EAPR180F G



TE Part # 7-2150228-2  
OCEAN\_2.0\_Applicator-E-140F



**KIT**  
REPRESENTATION ONLY

TE Part # 7-2150228-7  
OCEAN\_2.0\_SPARE\_PART\_KIT-140F


### Also in the Series | AMPLIVAR



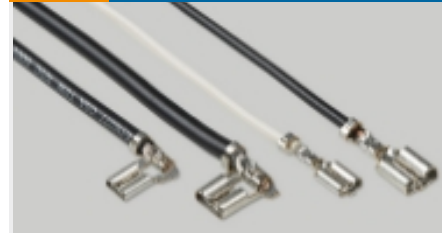
Crimp Wire Pins, Tabs & Ferrules(5)



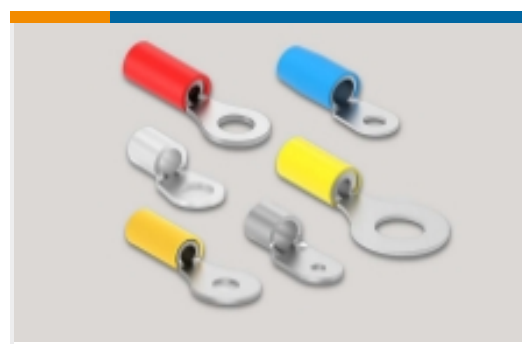
Magnet Wire Terminals(4)



PCB Terminals(1)



Quick Disconnects(41)

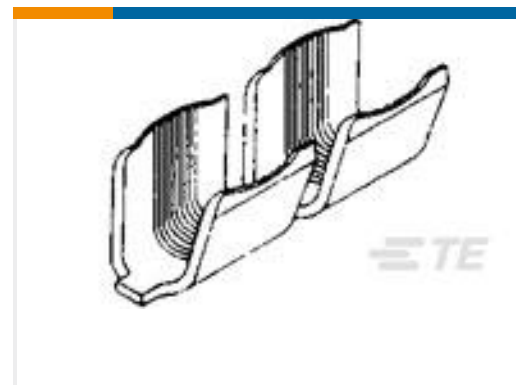
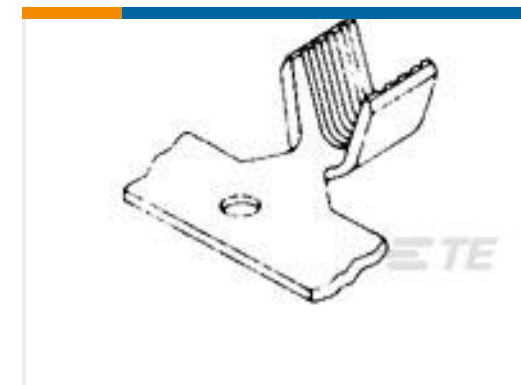
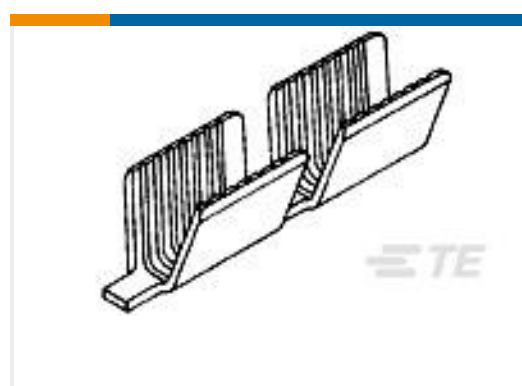
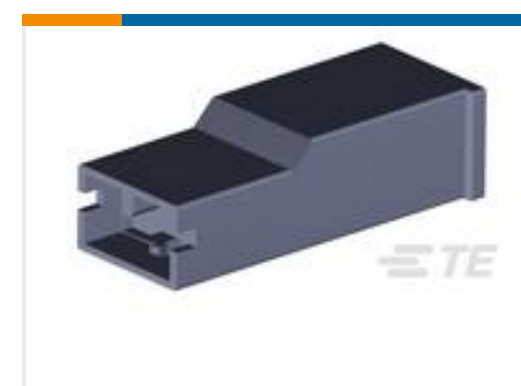


Ring Terminals(28)



Splices(77)

## Customers Also Bought

TE Part #NB-PTCO-151  
Pt1000, 2.0x5.0, Class T, PTFD102T1A0TE Part #32561  
PIDG SPDFLG 22-16COMM22-18MIL6TE Part #41770  
SPLC AMVAR 7000-13000 BRTE Part #63561-1  
SPLICE 10000-16000 CMA 031BRTE Part #62040-1  
SPLC AMVAR 1500-5000 020TPBRTE Part #40951  
RING 18-14 AWG .0198 X .343 BRTE Part #2-968946-1  
TAB 2.8x0.8 CONTACT CF SRC SnTE Part #1-2133341-2  
250 HSG. PL MKI REC. NATTE Part #2238236-1  
SPLICE, AMPLIVAR, PIGTAIL, 2D, 600-7000

## Documents

### Product Drawings

[SPLICE AMPLIVAR 3000-7000](#)

English

### CAD Files

[3D PDF](#)

3D

[Customer View Model](#)

[ENG\\_CVM\\_CVM\\_42779-1\\_AV.2d\\_dxf.zip](#)



English

**Customer View Model**

[ENG\\_CVM\\_CVM\\_42779-1\\_AV.3d\\_igs.zip](#)

English

**Customer View Model**

[ENG\\_CVM\\_CVM\\_42779-1\\_AV.3d\\_stp.zip](#)

English

By downloading the CAD file I accept and agree to the [Terms and Conditions](#) of use.

---

**Datasheets & Catalog Pages**

[1654742\\_HOUSEHOLD\\_APPLIANCES\\_RAST5](#)

English

**Magnet Wire Terminals & Splices**

English

---

**Product Specifications**

[Application Specification](#)

English

[AMPLIVAR 5 Serration Pigtail Splice](#)

English

---

**Product Environmental Compliance**

[Product Compliance](#)

English

[Product Compliance](#)

English

---

**Agency Approvals**

[CSA Certificate](#)

English

[CSA Certificate](#)

English