



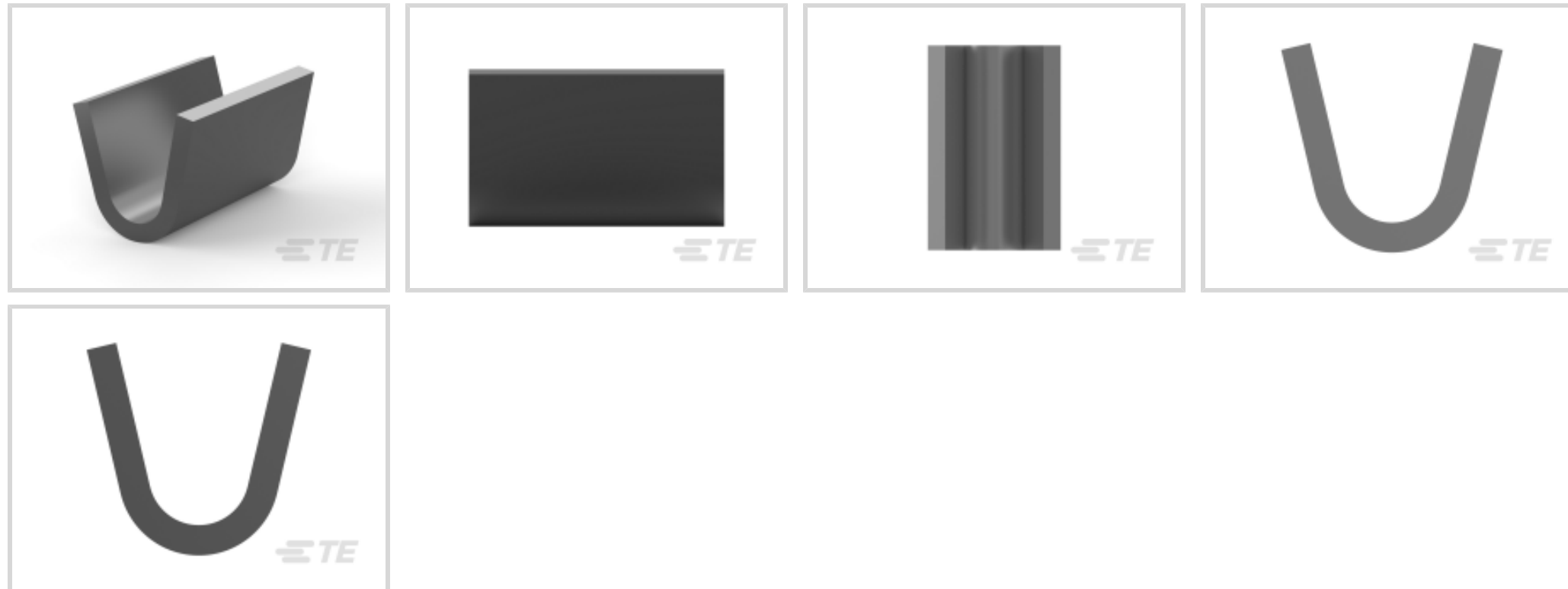
AMPLIVAR

TE Internal #: 42778-2

Splices, Thru Splice, 22 – 15 AWG Wire Size, .3 – 1.5 mm<sup>2</sup> Wire Size, Splice Capacity 3, Serrated, 600 – 3000 CMA Wire Size, Brass, AMPLIVAR

[View on TE.com >](#)

Terminals & Splices > Splices



Wire Size: .3 – 1.5 mm<sup>2</sup>

Sealable: No

Splice Capacity: 3

Splice Features: Serrated

Features

Product Type Features

Sealable	No
Splice Type	Thru Splice
Compatible With Discrete Wire Type	Magnet Wire, Solid

Configuration Features

Strip Orientation	End Feed
Splice Capacity	3
Number of Serrations	5

Electrical Characteristics

Operating Voltage	250 V
-------------------	-------

Body Features

Product Weight	.196 g
Splice Features	Serrated

Contact Features

	40 μin
--	--------



Terminal Plating Material	Tin
Contact Base Material	Brass
Barrel Type	Open

#### Mechanical Attachment

Wire Insulation Support	Without
-------------------------	---------

#### Dimensions

Wire Size	600 – 3000 CMA
Terminal Material Thickness	.51 mm[.02 in]
Product Length	5.72 mm[.225 in]

#### Usage Conditions

Insulation Option	Uninsulated
Operating Temperature Range	-65 – 150 °C[-85 – 302 °F]

#### Operation/Application

Compatible With Wire Base Material	Copper
------------------------------------	--------

#### Industry Standards

Government Qualified Splice	No
-----------------------------	----

#### Packaging Features

Packaging Quantity	40000
Packaging Method	Strip

#### Other

Terminals & Splices Comment	With less deep AMPLIVAR serrations- for magnet wires <0.4 mm diameter
-----------------------------	---

#### Product Compliance

[For compliance documentation, visit the product page on TE.com>](#)

EU RoHS Directive 2011/65/EU	Compliant
EU ELV Directive 2000/53/EC	Compliant
China RoHS 2 Directive MIIT Order No 32, 2016	No Restricted Materials Above Threshold
EU REACH Regulation (EC) No. 1907/2006	Current ECHA Candidate List: JUNE 2023 (235) Candidate List Declared Against: JUNE 2023 (235) Does not contain REACH SVHC
Halogen Content	Low Halogen - Br, Cl, F, I < 900 ppm per

homogenous material. Also BFR/CFR/PVC Free

Solder Process Capability

Not applicable for solder process capability

Product Compliance Disclaimer

This information is provided based on reasonable inquiry of our suppliers and represents our current actual knowledge based on the information they provided. This information is subject to change. The part numbers that TE has identified as EU RoHS compliant have a maximum concentration of 0.1% by weight in homogenous materials for lead, hexavalent chromium, mercury, PBB, PBDE, DBP, BBP, DEHP, DIBP, and 0.01% for cadmium, or qualify for an exemption to these limits as defined in the Annexes of Directive 2011/65/EU (RoHS2). Finished electrical and electronic equipment products will be CE marked as required by Directive 2011/65/EU. Components may not be CE marked. Additionally, the part numbers that TE has identified as EU ELV compliant have a maximum concentration of 0.1% by weight in homogenous materials for lead, hexavalent chromium, and mercury, and 0.01% for cadmium, or qualify for an exemption to these limits as defined in the Annexes of Directive 2000/53/EC (ELV). Regarding the REACH Regulation, the information TE provides on SVHC in articles for this part number is based on the latest European Chemicals Agency (ECHA) 'Guidance on requirements for substances in articles' posted at this URL: <https://echa.europa.eu/guidance-documents/guidance-on-reach>

## Compatible Parts



TE Part # 63562-1  
SPLICE 10400-22900 030TPBR



TE Part # 42192-1  
SPLIC AMVAR 600-3000 020BR



TE Part # 170152-2  
AMPLIVAR SPLICE STR



TE Part # 170152-4  
AMP SPLICE



TE Part # 2-2150065-2  
OCEAN\_2.0\_Applicator-E-110F



TE Part # 2150065-2  
OCEAN\_2.0\_Applicator-E-110F



TE Part # 42192-2  
SPLIC AMVAR 600-3000 020TPBR



TE Part # 7-2150065-2  
OCEAN\_2.0\_Applicator-E-110F



**KIT**  
REPRESENTATION ONLY

TE Part # 7-2150065-7  
OCEAN\_2.0\_SPARE\_PART\_KIT-110F

Also in the Series | **AMPLIVAR**



Crimp Wire Pins, Tabs & Ferrules(5)



Magnet Wire Terminals(4)



PCB Terminals(1)



Quick Disconnects(41)

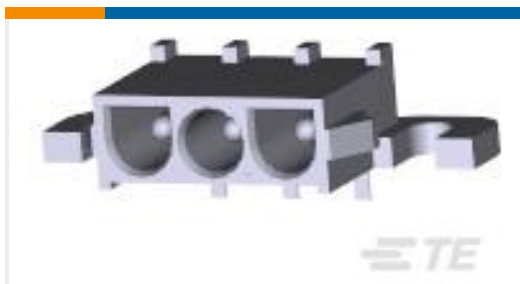


Ring Terminals(28)

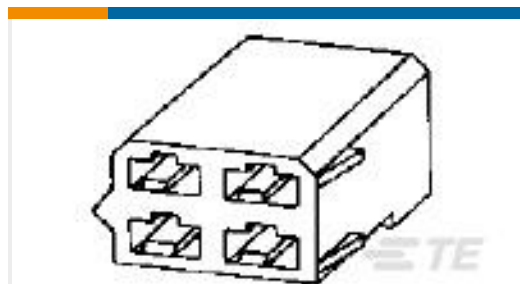


Splices(77)

## Customers Also Bought



TE Part #1-350943-0  
03P UMNL HDR ASSY R/A 94VO



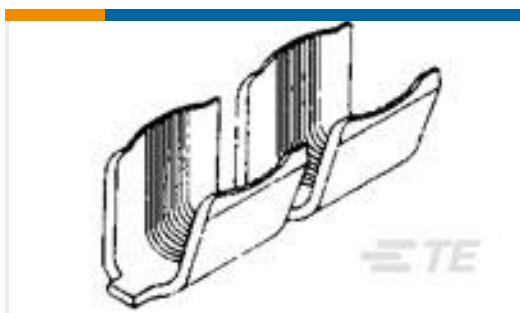
TE Part #180900  
FF 250 REC HSG 4P NYLON NAT



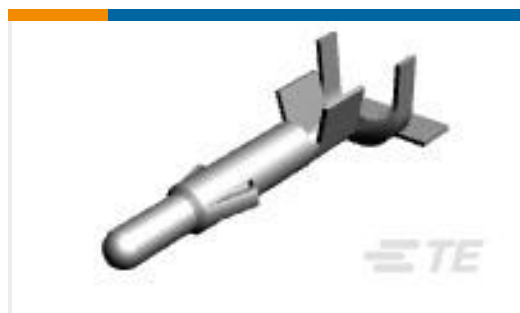
TE Part #42281-1  
FF 250 REC 18-14AWG BR



TE Part #42460-1  
FF 250 TAB 18-14AWG BR



TE Part #41770  
SPLC AMVAR 7000-13000 BR



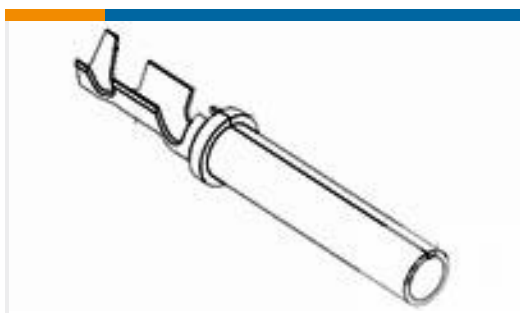
TE Part #926885-3  
UNIV.M-N-L.PIN



TE Part #926884-1  
UNIV.M-N-L.SOCKET



TE Part #292207-6  
MINI CT SGL DIP V 6P NAT



TE Part #776299-1  
ASSEMBLY SOCKET LOOSE PC GOLD



TE Part #ZPF000000000008596  
983-6S 14-04 SN-L

## Documents



## Product Drawings

### SPLICE AMPLIVAR 600-3000 CMA

English

---

## CAD Files

### 3D PDF

3D

#### Customer View Model

[ENG\\_CVM\\_CVM\\_42778-2\\_AC.2d\\_dxf.zip](#)

English

#### Customer View Model

[ENG\\_CVM\\_CVM\\_42778-2\\_AC.3d\\_igs.zip](#)

English

#### Customer View Model

[ENG\\_CVM\\_CVM\\_42778-2\\_AC.3d\\_stp.zip](#)

English

By downloading the CAD file I accept and agree to the [Terms and Conditions](#) of use.

---

## Datasheets & Catalog Pages

### Magnet Wire Terminals & Splices

English

---

## Product Specifications

### Application Specification

English

### AMPLIVAR 5 Serration Pigtail Splice

English

---

## Product Environmental Compliance

### Product Compliance

English

### Product Compliance

English

---