

42745-2 ✓ ACTIVE

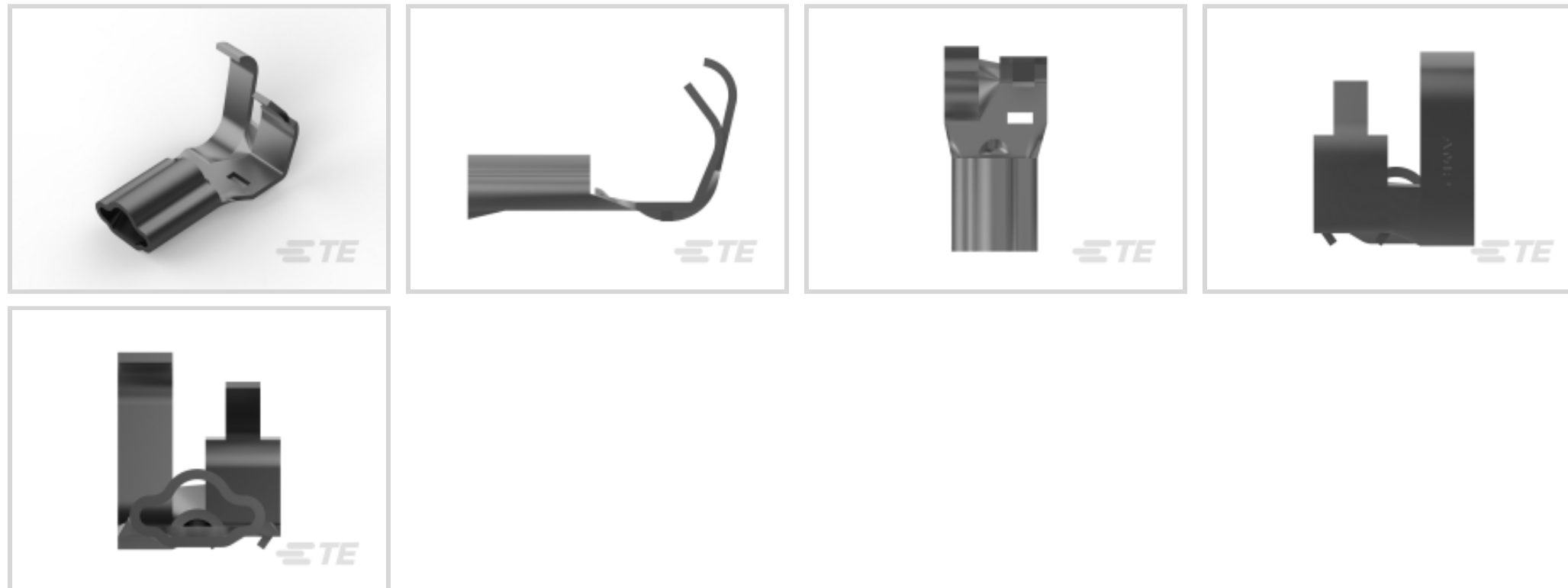
TE Internal #: 42745-2

Crimp Wire Pins, Tabs & Ferrules, Receptacle, Mating Pin Diameter
2.28 mm [.09 in], 20 – 14 AWG Wire Size, .5 – 2.27 mm² Wire Size

[View on TE.com >](#)



Terminals & Splices > Crimp Wire Pins, Tabs & Ferrules



Crimp Wire Terminal Type: **Receptacle**

Mating Pin Diameter: **2.28 mm [.09 in]**

Compatible Insulation Diameter Range: **3.05 – 4.32 mm, 4.32 mm [.12 – .17 in, .17 in]**

Wire Size: **.5 – 2.27 mm²**

Features

Product Type Features

Compatible With Discrete Wire Type	Solid, Stranded
------------------------------------	-----------------

Configuration Features

Compatible With Wire & Cable Type	Discrete Wire
-----------------------------------	---------------

Contact Features

Crimp Wire Terminal Type	Receptacle
Mating Pin Diameter	2.28 mm [.09 in]
Barrel Type	Open
Terminal Plating Material	Tin
Terminal Orientation	Flag

Mechanical Attachment

Wire Insulation Support	With
-------------------------	------

Dimensions

Compatible Insulation Diameter Range	3.05 – 4.32 mm, 4.32 mm [.12 – .17 in][.17 in]
Wire Size	1021 – 4106 CMA
Terminal Material Thickness	.46 mm [.018 in]

Overall Product Length	13.97 mm[.55 in]
------------------------	------------------

Usage Conditions

Insulation Option	Uninsulated
Operating Temperature Range	-40 – 85 °C[-40 – 185 °F]

Packaging Features

Packaging Quantity	5000
Packaging Method	Reel

Product Compliance

[For compliance documentation, visit the product page on TE.com>](#)

EU RoHS Directive 2011/65/EU	Compliant
EU ELV Directive 2000/53/EC	Compliant
China RoHS 2 Directive MIIT Order No 32, 2016	No Restricted Materials Above Threshold
EU REACH Regulation (EC) No. 1907/2006	Current ECHA Candidate List: JUNE 2023 (235) Candidate List Declared Against: JUNE 2023 (235) Does not contain REACH SVHC
Halogen Content	Low Halogen - Br, Cl, F, I < 900 ppm per homogenous material. Also BFR/CFR/PVC Free
Solder Process Capability	Not applicable for solder process capability

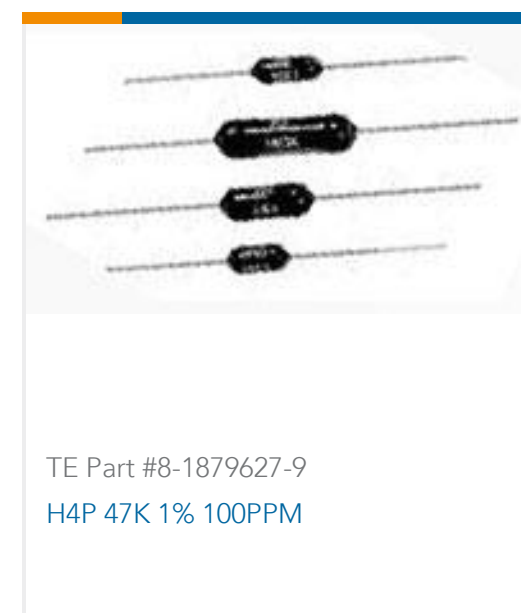
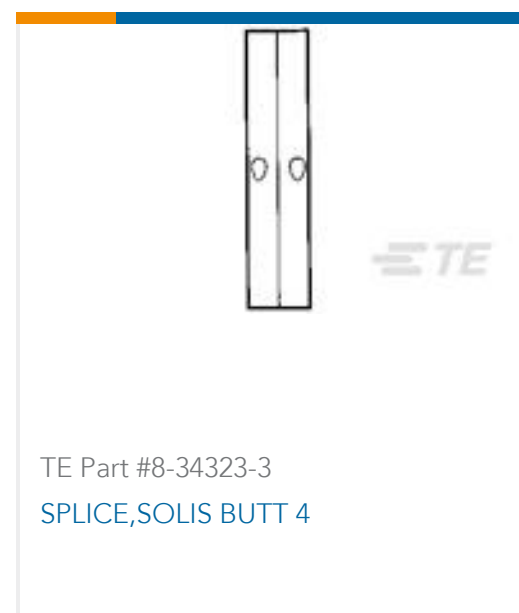
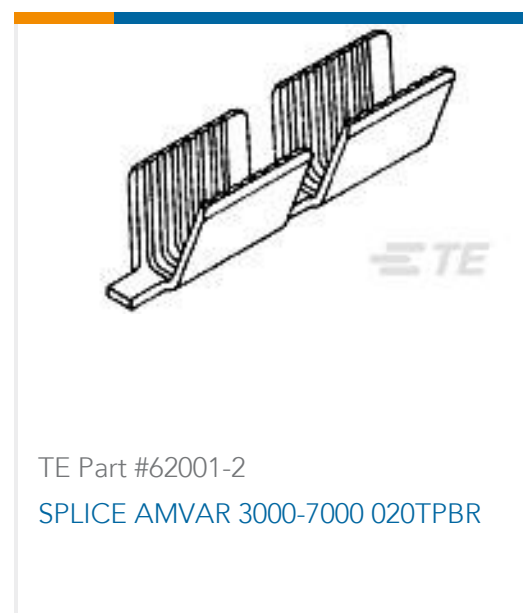
Product Compliance Disclaimer

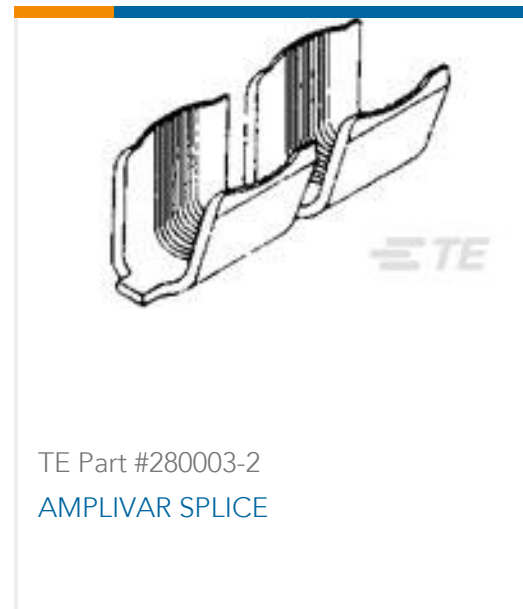
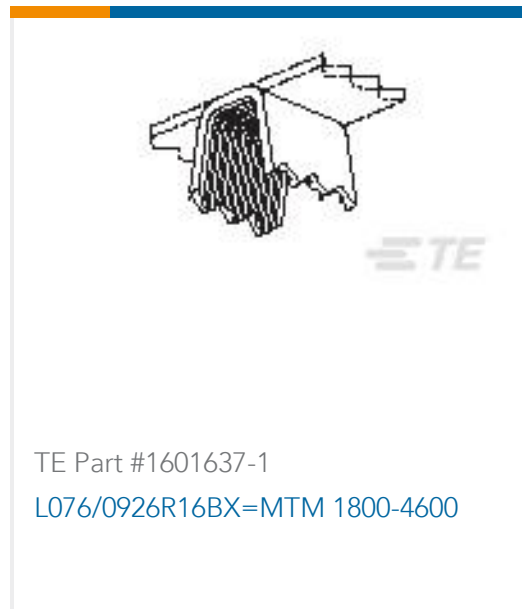
This information is provided based on reasonable inquiry of our suppliers and represents our current actual knowledge based on the information they provided. This information is subject to change. The part numbers that TE has identified as EU RoHS compliant have a maximum concentration of 0.1% by weight in homogenous materials for lead, hexavalent chromium, mercury, PBB, PBDE, DBP, BBP, DEHP, DIBP, and 0.01% for cadmium, or qualify for an exemption to these limits as defined in the Annexes of Directive 2011/65/EU (RoHS2). Finished electrical and electronic equipment products will be CE marked as required by Directive 2011/65/EU. Components may not be CE marked. Additionally, the part numbers that TE has identified as EU ELV compliant have a maximum concentration of 0.1% by weight in homogenous materials for lead, hexavalent chromium, and mercury, and 0.01% for cadmium, or qualify for an exemption to these limits as defined in the Annexes of Directive 2000/53/EC (ELV). Regarding the REACH Regulation, the information TE provides on SVHC in articles for this part number is based on the latest European Chemicals Agency (ECHA) 'Guidance on requirements for substances in articles' posted at this URL: <https://echa.europa.eu/guidance-documents/guidance-on-reach>

Compatible Parts



Customers Also Bought





Documents

Product Drawings

PIN 090 FLAG RECEPTACLE 20-14 AWG TPPHBZ

English

CAD Files

3D PDF

3D

Customer View Model

[ENG_CVM_CVM_42745-2_BR.2d_dxf.zip](#)

English

Customer View Model

[ENG_CVM_CVM_42745-2_BR.3d_igs.zip](#)

English

Customer View Model

[ENG_CVM_CVM_42745-2_BR.3d_stp.zip](#)

English

By downloading the CAD file I accept and agree to the [Terms and Conditions](#) of use.

Product Specifications

Application Specification

English

Pin Receptacle Contact With Closed Seam

English

Product Environmental Compliance

[MD_42745-2_020620182351_dmtec](#)

English



[MD_42745-2_020620182351_dmtec](#)

English

[Agency Approvals](#)

[UL Report](#)

English