

42563-2 ✓ ACTIVE

FASTON | FASTON 250

TE Internal #: 42563-2

Quick Disconnects, Receptacle, 12 – 10 AWG Wire Size, 3.31 – 5.26

mm<sup>2</sup> Wire Size, Mating Tab Width 6.35 mm [.25 in], Flag, Brass,

FASTON 250

[View on TE.com >](#)



Terminals & Splices > Quick Disconnects



Quick Disconnect Terminal Type: **Receptacle**

Wire Size: **3.31 – 5.26 mm<sup>2</sup>**

Mating Tab Width: **6.35 mm [.25 in]**

Mating Tab Thickness: **.81 mm [.032 in]**

## Features

### Product Type Features

|                 |        |
|-----------------|--------|
| Insertion Force | Normal |
|-----------------|--------|

### Configuration Features

|                     |        |
|---------------------|--------|
| Connection Capacity | Single |
|---------------------|--------|

|                                   |               |
|-----------------------------------|---------------|
| Compatible With Wire & Cable Type | Discrete Wire |
|-----------------------------------|---------------|

### Contact Features

|                                |            |
|--------------------------------|------------|
| Quick Disconnect Terminal Type | Receptacle |
|--------------------------------|------------|

|                  |                  |
|------------------|------------------|
| Mating Tab Width | 6.35 mm [.25 in] |
|------------------|------------------|

|                      |                  |
|----------------------|------------------|
| Mating Tab Thickness | .81 mm [.032 in] |
|----------------------|------------------|

|                      |      |
|----------------------|------|
| Terminal Orientation | Flag |
|----------------------|------|

|                       |       |
|-----------------------|-------|
| Contact Base Material | Brass |
|-----------------------|-------|

|                           |     |
|---------------------------|-----|
| Terminal Plating Material | Tin |
|---------------------------|-----|

|            |         |
|------------|---------|
| Crimp Type | Tab-Lok |
|------------|---------|

|             |      |
|-------------|------|
| Barrel Type | Open |
|-------------|------|

### Termination Features



|                       |              |
|-----------------------|--------------|
| Product Terminates To | Wire & Cable |
|-----------------------|--------------|

### Mechanical Attachment

|                         |             |
|-------------------------|-------------|
|                         | .04 in      |
| Extraction Force        | 24.5 Newton |
| Wire Insulation Support | With        |
| Mating Retention Type   | Dimple      |

### Dimensions

|                                      |                              |
|--------------------------------------|------------------------------|
| Terminal Material Thickness          | .41 mm[.016 in]              |
| Product Length                       | 17.02 mm[.67 in]             |
| Compatible Insulation Diameter Range | 2.79 – 5.33 mm[.11 – .21 in] |
| Wire Size                            | 3.31 – 5.26 mm <sup>2</sup>  |

### Usage Conditions

|                             |                            |
|-----------------------------|----------------------------|
| Insulation Option           | Uninsulated                |
| Operating Temperature Range | -40 – 110 °C[-40 – 230 °F] |

### Industry Standards

|                 |         |
|-----------------|---------|
| Agency/Standard | CSA, UL |
|-----------------|---------|

### Packaging Features

|                    |            |
|--------------------|------------|
| Packaging Quantity | 4000       |
| Packaging Method   | Strip/Reel |

### Other

|      |         |
|------|---------|
| Line | Premier |
|------|---------|

## Product Compliance

[For compliance documentation, visit the product page on TE.com>](#)

|   |   |
|---|---|
| EU RoHS Directive 2011/65/EU                  | Compliant   |
| EU ELV Directive 2000/53/EC                   | Compliant   |
| China RoHS 2 Directive MIIT Order No 32, 2016 | No Restricted Materials Above Threshold   |
| EU REACH Regulation (EC) No. 1907/2006        | Current ECHA Candidate List: JUNE 2023 (235)<br>Candidate List Declared Against: JUNE 2023 (235)<br>Does not contain REACH SVHC |
| Halogen Content                               | Low Halogen - Br, Cl, F, I < 900 ppm per homogenous material. Also BFR/CFR/PVC  |

Free

Solder Process Capability

Not applicable for solder process capability

Product Compliance Disclaimer

This information is provided based on reasonable inquiry of our suppliers and represents our current actual knowledge based on the information they provided. This information is subject to change. The part numbers that TE has identified as EU RoHS compliant have a maximum concentration of 0.1% by weight in homogenous materials for lead, hexavalent chromium, mercury, PBB, PBDE, DBP, BBP, DEHP, DIBP, and 0.01% for cadmium, or qualify for an exemption to these limits as defined in the Annexes of Directive 2011/65/EU (RoHS2). Finished electrical and electronic equipment products will be CE marked as required by Directive 2011/65/EU. Components may not be CE marked. Additionally, the part numbers that TE has identified as EU ELV compliant have a maximum concentration of 0.1% by weight in homogenous materials for lead, hexavalent chromium, and mercury, and 0.01% for cadmium, or qualify for an exemption to these limits as defined in the Annexes of Directive 2000/53/EC (ELV). Regarding the REACH Regulation, the information TE provides on SVHC in articles for this part number is based on the latest European Chemicals Agency (ECHA) 'Guidance on requirements for substances in articles' posted at this URL: <https://echa.europa.eu/guidance-documents/guidance-on-reach>

## Compatible Parts



TE Part # 62056-4  
250 FASTON FLAG REC 18-12 AWG  
TPBR



TE Part # 61187-1  
250 FASTON FLAG REC 12-10 AWG  
PHBZ



TE Part # 62056-3  
250 FASTON FLAG REC 18-12 AWG  
TPBR



TE Part # 63617-1  
250 FASTON FLAG REC 12-10 AWG  
BR



TE Part # 1855521-1  
HDM/FA/HB EMPO200TL220O LM  
CUT



TE Part # 687388-6  
MHB 9EAPR200T220O G




TE Part # 687389-4  
M HBEAPR200T220OK



TE Part # 687389-6  
HDM HB 9EMPR200T220O G



TE Part # 565505-2  
STD HBEMPR200T220OK



TE Part # 687388-5  
M HBEAPR200T220OK



TE Part # 687389-1  
M HBEMPO200T220OT

Also in the Series | **FASTON 250**



Compression Connectors(4)



Crimp Terminal Housings(142)



Insertion & Extraction Tools(6)



Magnet Wire Terminals(1)



PCB Terminals(135)



Quick Disconnects(445)



Splices(4)

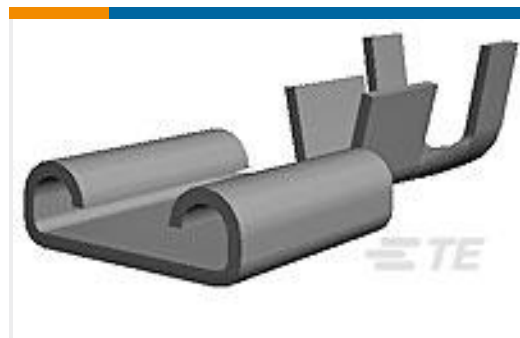
## Customers Also Bought



TE Part #917803-2  
DYNAMIC D-5 TAB CONT. M AU



TE Part #170037-2  
187 FASTON,REC.,20-16 AWG,TPBR



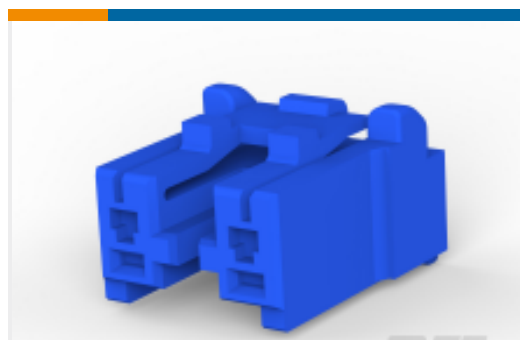
TE Part #170224-2  
250 FASTON,REC.,16-10 AWG,BR



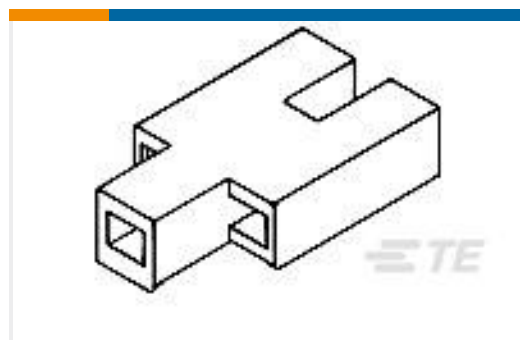
TE Part #170213-2  
250 FASTON,REC.,18-14 AWG,TPBR



TE Part #41802  
250 FASTON FLAG REC 18-12 AWG TPBR



TE Part #1747050-3  
GIC7.92 2POS PLUG HSG.BLUE



TE Part #235280-1  
CLUSTER BLOCK HSG .090 DIA



TE Part #521204-2  
HSG RCPT POSI MK 111 250 2POS



TE Part #1418779-1

## Documents



## Product Drawings

### 250 FASTON FLAG REC 12-10 AWG TPBR

English

---

## CAD Files

### 3D PDF

3D

### Customer View Model

[ENG\\_CVM\\_CVM\\_42563-2\\_DA.2d\\_dxf.zip](#)

English

### Customer View Model

[ENG\\_CVM\\_CVM\\_42563-2\\_DA.3d\\_igs.zip](#)

English

### Customer View Model

[ENG\\_CVM\\_CVM\\_42563-2\\_DA.3d\\_stp.zip](#)

English

By downloading the CAD file I accept and agree to the [Terms and Conditions](#) of use.

---

## Product Specifications

### Application Specification

English

### Application Specification

English

---

## Product Environmental Compliance

### Product Compliance Document

English

### Product Compliance Document

English

---

## Agency Approvals

### UL Report

English