

42511-2 ✓ ACTIVE

FASTON | FASTON 250

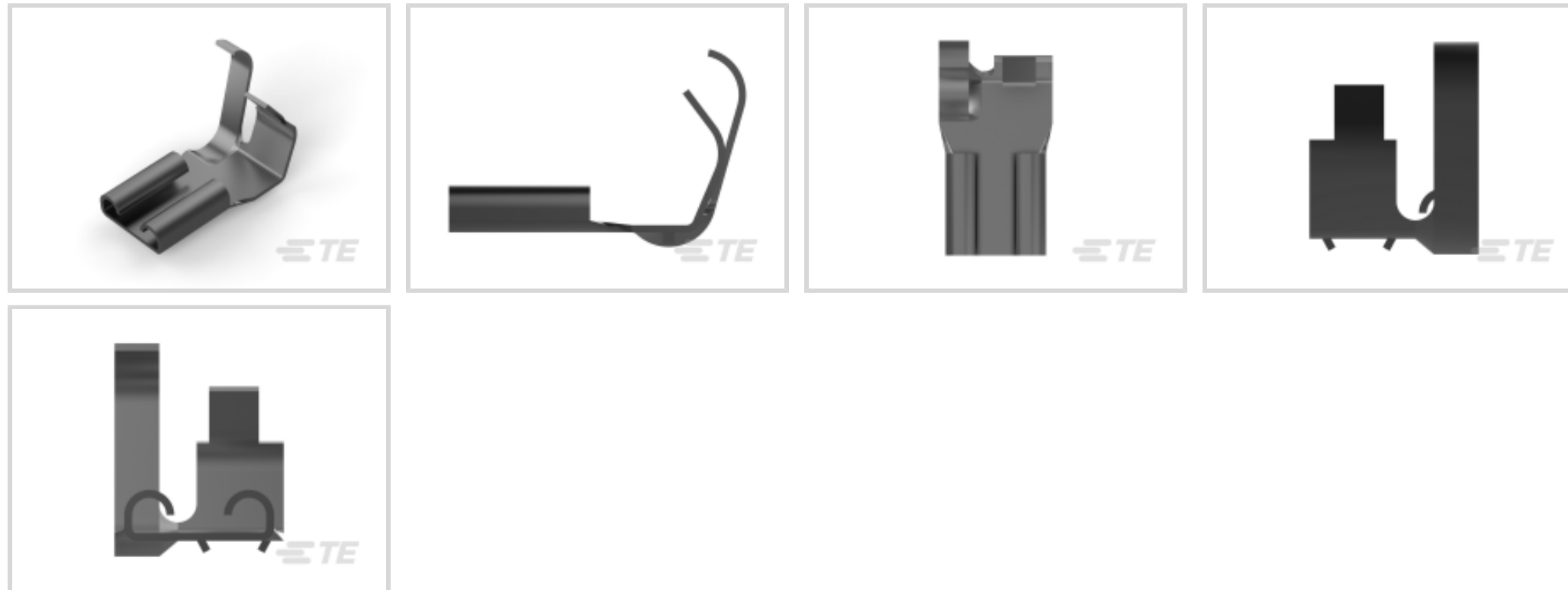
TE Internal #: 42511-2

Quick Disconnects, Receptacle, 18 – 12 AWG Wire Size, .82 – 3.31 mm² Wire Size, Mating Tab Width 6.35 mm [.25 in], Flag, Brass, FASTON 250

[View on TE.com >](#)



Terminals & Splices > Quick Disconnects



Quick Disconnect Terminal Type: **Receptacle**

Wire Size: **.82 – 3.31 mm²**

Mating Tab Width: **6.35 mm [.25 in]**

Mating Tab Thickness: **.81 mm [.032 in]**

Features

Product Type Features

Insertion Force	Low
-----------------	-----

Configuration Features

Connection Capacity	Single
---------------------	--------

Compatible With Wire & Cable Type	Discrete Wire
-----------------------------------	---------------

Contact Features

Quick Disconnect Terminal Type	Receptacle
--------------------------------	------------

Mating Tab Width	6.35 mm [.25 in]
------------------	------------------

Mating Tab Thickness	.81 mm [.032 in]
----------------------	------------------

Terminal Orientation	Flag
----------------------	------

Contact Base Material	Brass
-----------------------	-------

Terminal Plating Material	Tin
---------------------------	-----

Crimp Type	Tab-Lok
------------	---------

Barrel Type	Open
-------------	------

Termination Features



Product Terminates To	Wire & Cable
-----------------------	--------------

Mechanical Attachment

	.04 in
--	--------

Wire Insulation Support	With
-------------------------	------

Mating Retention Type	Dimple
-----------------------	--------

Dimensions

Terminal Material Thickness	.41 mm [.016 in]
-----------------------------	------------------

Product Length	17.02 mm [.67 in]
----------------	-------------------

Compatible Insulation Diameter Range	2.79 – 5.33 mm [.11 – .21 in]
--------------------------------------	-------------------------------

Wire Size	.82 – 3.31 mm ²
-----------	----------------------------

Usage Conditions

Insulation Option	Uninsulated
-------------------	-------------

Operating Temperature Range	-40 – 110 °C [-40 – 230 °F]
-----------------------------	-----------------------------

Industry Standards

Agency/Standard	CSA, UL
-----------------	---------

Packaging Features

Packaging Quantity	4000
--------------------	------

Packaging Method	Strip/Reel
------------------	------------

Other

Line	Budget
------	--------

Product Compliance

[For compliance documentation, visit the product page on TE.com>](#)

EU RoHS Directive 2011/65/EU	Compliant
------------------------------	-----------

EU ELV Directive 2000/53/EC	Compliant
-----------------------------	-----------

China RoHS 2 Directive MIIT Order No 32, 2016	No Restricted Materials Above Threshold
---	---

EU REACH Regulation (EC) No. 1907/2006	Current ECHA Candidate List: JUNE 2023 (235) Candidate List Declared Against: JUNE 2023 (235) Does not contain REACH SVHC
--	---

Halogen Content	Low Halogen - Br, Cl, F, I < 900 ppm per homogenous material. Also BFR/CFR/PVC Free
-----------------	---

Solder Process Capability

Not applicable for solder process capability

Product Compliance Disclaimer

This information is provided based on reasonable inquiry of our suppliers and represents our current actual knowledge based on the information they provided. This information is subject to change. The part numbers that TE has identified as EU RoHS compliant have a maximum concentration of 0.1% by weight in homogenous materials for lead, hexavalent chromium, mercury, PBB, PBDE, DBP, BBP, DEHP, DIBP, and 0.01% for cadmium, or qualify for an exemption to these limits as defined in the Annexes of Directive 2011/65/EU (RoHS2). Finished electrical and electronic equipment products will be CE marked as required by Directive 2011/65/EU. Components may not be CE marked. Additionally, the part numbers that TE has identified as EU ELV compliant have a maximum concentration of 0.1% by weight in homogenous materials for lead, hexavalent chromium, and mercury, and 0.01% for cadmium, or qualify for an exemption to these limits as defined in the Annexes of Directive 2000/53/EC (ELV). Regarding the REACH Regulation, the information TE provides on SVHC in articles for this part number is based on the latest European Chemicals Agency (ECHA) 'Guidance on requirements for substances in articles' posted at this URL: <https://echa.europa.eu/guidance-documents/guidance-on-reach>

Compatible Parts



TE Part # 62418-2
250 FASTON FLAG REC 22-16 AWG TPBR



TE Part # 1852633-1
EAP0HB160TABLOCK1800 LM/G-HINGE BAR



TE Part # 1855041-1
HINDGE BAR F.A. EMPO160TAB1800 LM & G




TE Part # 687395-5
M HBEAPR160T K




TE Part # 687395-6
HDM HBEAPR160T1800TSA




TE Part # 687395-8
HINGE BAR 9EAPR160T1800 G



KIT
TE Part # 7-1855041-7
SPARE PART KIT



TE Part # 1596696-2
HB APPL,AOL



TE Part # 1596697-5
HB APPL,AOM



TE Part # 2088156-2
MINI APPLICATOR, HINGE BAR END FEED



TE Part # 565504-1
STD HBEMPR160T1800K

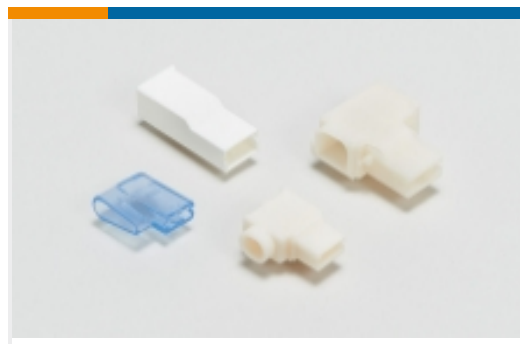


TE Part # 565504-3
STD HBEMPR160T2200K

Also in the Series | **FASTON 250**



Compression Connectors(4)



Crimp Terminal Housings(142)



Insertion & Extraction Tools(6)



Magnet Wire Terminals(1)



PCB Terminals(135)



Quick Disconnects(445)

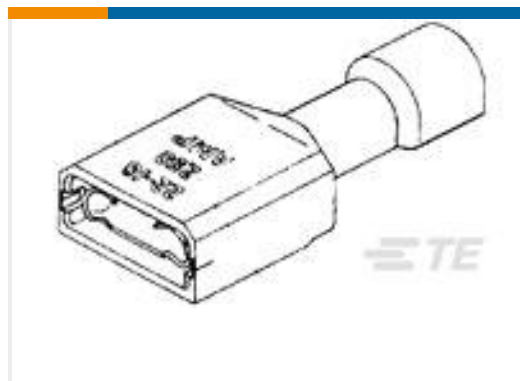


Splices(4)

Customers Also Bought



TE Part #794115-3
03P SL156 HSG W/LCK RAMP NATL
#2 BLK



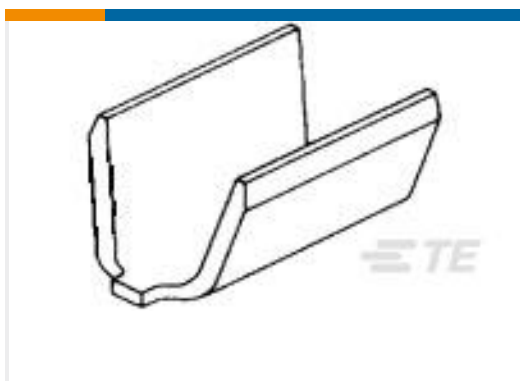
TE Part #2-520310-2
ULTRA-FAST .110/.125 ASY REC 22-18
TPBR



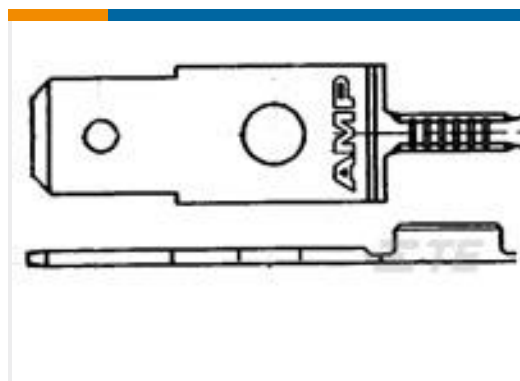
TE Part #53241-2
PG SPR SPD 22-16COMM 22-18MIL8



TE Part #41532
250 FASTON FLAG REC 18-12 AWG
TPBR



TE Part #42329-1
SPLICE 1200-2600 .012 NPST



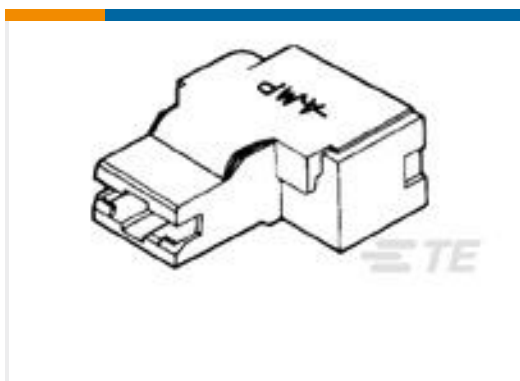
TE Part #63483-1
FAST,AMPLIVAR .250 TAB 200-566
CMA TPBR



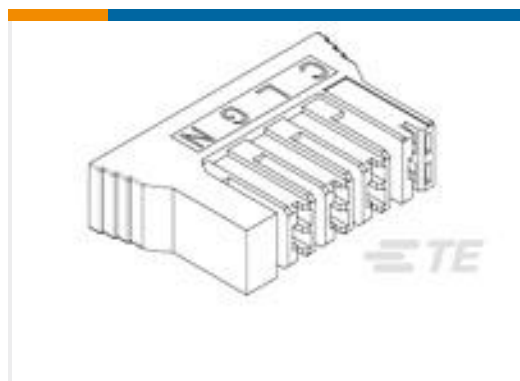
TE Part #6-1971793-5
NEW GI CONN2.5 PLUG HSG 6P BLK



TE Part #62011-1
250 FASTON FLAG REC 12-10 AWG
BR



TE Part #1-172469-1
PL 250 HOUSING NATURAL 6/6
NYLON



TE Part #521781-1
250 HSG. PL MKIII REC. 6.81mm 4P
NAT

Documents



Product Drawings

250 FASTON FLAG REC 18-12 AWG TPBR

English

CAD Files

Customer View Model

[ENG_CVM_CVM_42511-2_CB.2d_dxf.zip](#)

English

3D PDF

3D

Customer View Model

[ENG_CVM_CVM_42511-2_CB.3d_igs.zip](#)

English

Customer View Model

[ENG_CVM_CVM_42511-2_CB.3d_stp.zip](#)

English

By downloading the CAD file I accept and agree to the [Terms and Conditions](#) of use.

Datasheets & Catalog Pages

82004 FASTON Terminals (Insulated and Uninsulated) Catalog - FASTON Receptacles Section

English

Product Specifications

Application Specification

English

Product Environmental Compliance

[MD_42511-2_03052018159_dmtec](#)

English

[MD_42511-2_03052018159_dmtec](#)

English

Agency Approvals

CSA Certificate

English

CSA Certificate

English