

42490-3 ✓ ACTIVE

FASTON | FASTON 187

TE Internal #: 42490-3

Quick Disconnects, Tab, 22 – 18 AWG Wire Size, .32 – .82 mm² Wire

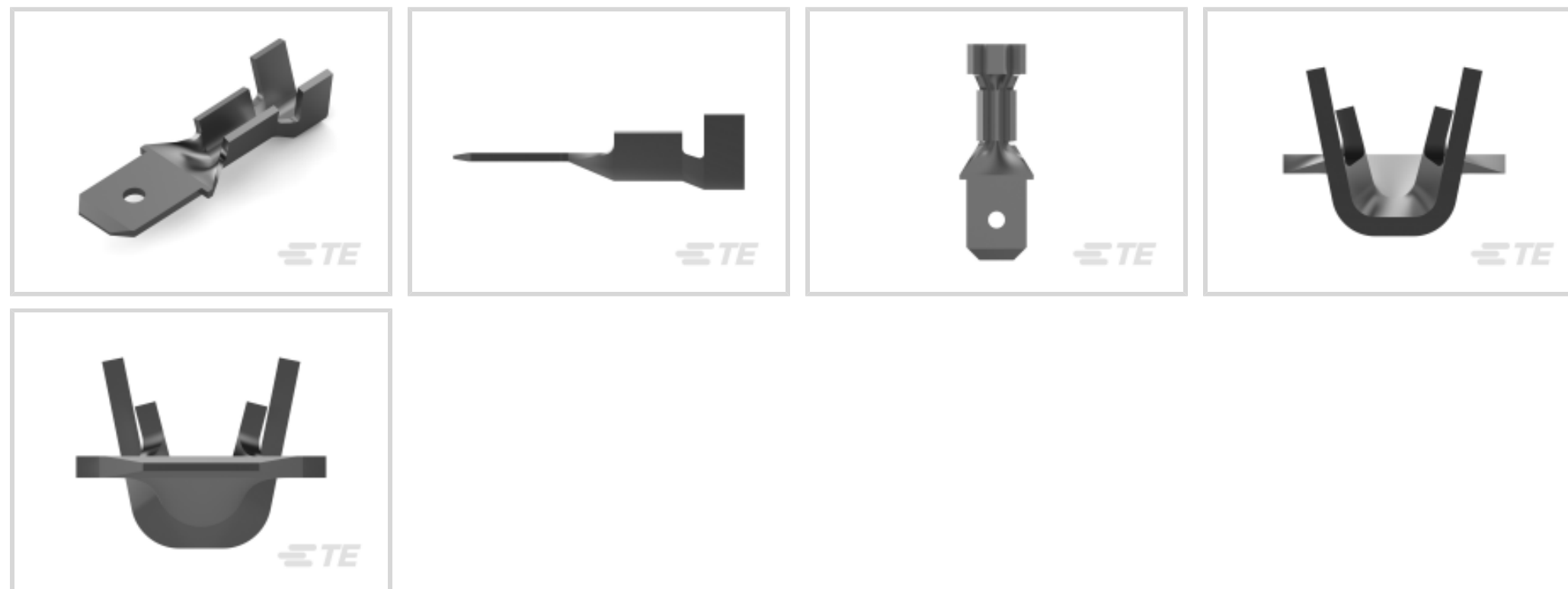
Size, Mating Tab Width 4.75 mm [.187 in], Straight, Brass, Tin

Plating, FASTON 187

[View on TE.com >](#)



Terminals & Splices > Quick Disconnects



Quick Disconnect Terminal Type: **Tab**

Wire Size: **.32 – .82 mm²**

Mating Tab Width: **4.75 mm [.187 in]**

Mating Tab Thickness: **.51 mm [.02 in]**

Features

Product Type Features

Insertion Force	Low
-----------------	-----

Configuration Features

Connection Capacity	Single
---------------------	--------

Compatible With Wire & Cable Type	Discrete Wire
-----------------------------------	---------------

Contact Features

Quick Disconnect Terminal Type	Tab
--------------------------------	-----

Mating Tab Width	4.75 mm [.187 in]
------------------	-------------------

Mating Tab Thickness	.51 mm [.02 in]
----------------------	-----------------

Terminal Orientation	Straight
----------------------	----------

Contact Base Material	Brass
-----------------------	-------

Terminal Plating Material	Tin
---------------------------	-----

Crimp Type	F-Crimp
------------	---------

Barrel Type	Open
-------------	------

Termination Features



Product Terminates To	Wire & Cable
-----------------------	--------------

Mechanical Attachment

Wire Insulation Support	With
-------------------------	------

Dimensions

Terminal Material Thickness	.51 mm[.02 in]
Product Length	17.14 mm[.675 in]
Compatible Insulation Diameter Range	2.03 – 3.05 mm[.08 – .12 in]
Wire Size	.32 – .82 mm ²

Usage Conditions

Insulation Option	Uninsulated
Operating Temperature Range	-40 – 110 °C[-40 – 230 °F]

Industry Standards

Agency/Standard	CSA, UL
-----------------	---------

Packaging Features

Packaging Quantity	5000
Packaging Method	Strip/Reel

Product Compliance

[For compliance documentation, visit the product page on TE.com>](#)

EU RoHS Directive 2011/65/EU	Compliant
EU ELV Directive 2000/53/EC	Compliant
China RoHS 2 Directive MIIT Order No 32, 2016	No Restricted Materials Above Threshold
EU REACH Regulation (EC) No. 1907/2006	Current ECHA Candidate List: JUNE 2023 (235) Candidate List Declared Against: JUNE 2023 (235) Does not contain REACH SVHC
Halogen Content	Low Halogen - Br, Cl, F, I < 900 ppm per homogenous material. Also BFR/CFR/PVC Free
Solder Process Capability	Not applicable for solder process capability

Product Compliance Disclaimer

This information is provided based on reasonable inquiry of our suppliers and represents our current actual knowledge based on the information they provided. This information is subject to change. The part numbers that TE has identified as EU RoHS compliant have a maximum concentration of 0.1% by weight in homogenous materials for lead, hexavalent chromium, mercury, PBB, PBDE, DBP, BBP, DEHP, DIBP, and 0.01% for cadmium, or qualify for an exemption to these

limits as defined in the Annexes of Directive 2011/65/EU (RoHS2). Finished electrical and electronic equipment products will be CE marked as required by Directive 2011/65/EU. Components may not be CE marked. Additionally, the part numbers that TE has identified as EU ELV compliant have a maximum concentration of 0.1% by weight in homogenous materials for lead, hexavalent chromium, and mercury, and 0.01% for cadmium, or qualify for an exemption to these limits as defined in the Annexes of Directive 2000/53/EC (ELV). Regarding the REACH Regulation, the information TE provides on SVHC in articles for this part number is based on the latest European Chemicals Agency (ECHA) 'Guidance on requirements for substances in articles' posted at this URL: <https://echa.europa.eu/guidance-documents/guidance-on-reach>

Compatible Parts

TE Part # 2305570-1
Strip Terminal Cutter-Side Feed-No Crimp

TE Part # 1217891-1
187 FASTON, TAB, TPBR

TE Part # 1742753-1
FASTON 2MM TAB 18-22AWG TPBR

TE Part # 1217118-1
110 FASTON, TAB, 20-16 AWG, PTBR

TE Part # 2-2836284-1
OC-PA-S-FM-090F155O-001-0046

TE Part # 2-2836284-2
OCEAN_2.0_Applicator-S-090F155O

TE Part # 2063247-1
CCII FASTON 22-18 ASSY

TE Part # 2836284-1
OCEAN_2.0_Applicator-S-090F155O

TE Part # 2836284-2
OCEAN_2.0_Applicator-S-090F155O

TE Part # 7-2836284-7
OCEAN_2.0_SPARE_PART_KIT-090F155O

Also in the Series | FASTON 187

Crimp Terminal Housings(42)

Insertion & Extraction Tools(1)

Joints & Splices(1)

PCB Terminals(42)



Quick Disconnects(209)



Splices(1)

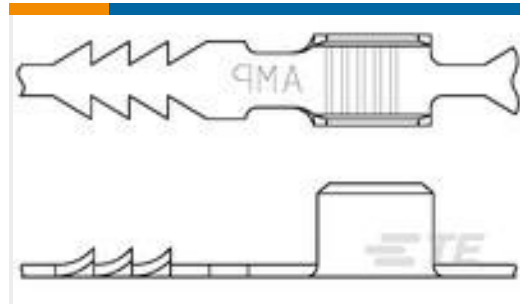
Customers Also Bought



TE Part #2-1623728-7
BCHE 11 W 68R 5%



TE Part #130106
TERM, RT, SOLIS, 16-14, M5



TE Part #62192-1
BOBBIN TAB .016TPBR



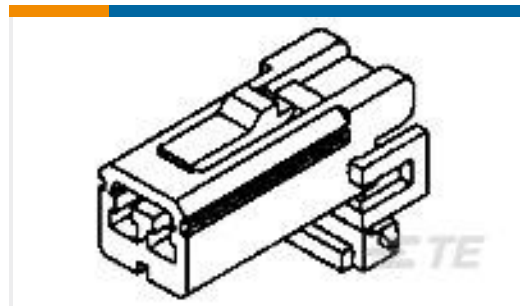
TE Part #3-967630-1
FLA-STE-GEH2,8 21P



TE Part #2-31880-1
PIDG R 22-16 COMM 22-18 MIL 4



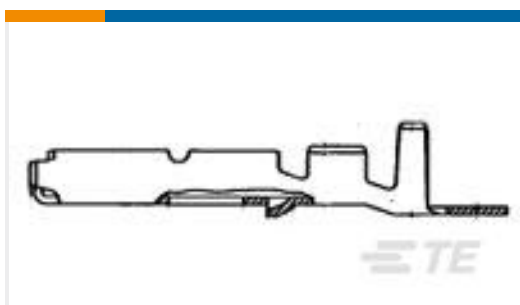
TE Part #EL6596-000
RBK-105-KIT-0103-A0



TE Part #776127-2
2POS .070 MULTILOCK PLUG RIGHT



TE Part #1612904-2
025 24POS CAP ASSY V TIN



TE Part #172774-4
MIC MK-II LP



TE Part #184030-1
RECPT, CONTACT 070, AUPHBZ

Documents

Product Drawings

[187 FASTON TAB 22-18 AWG TPBR](#)

English

CAD Files

[3D PDF](#)

[3D](#)

[Customer View Model](#)

[ENG_CVM_CVM_42490-3_AT.2d_dxf.zip](#)



English

Customer View Model

[ENG_CVM_CVM_42490-3_AT.3d_igs.zip](#)

English

Customer View Model

[ENG_CVM_CVM_42490-3_AT.3d_stp.zip](#)

English

By downloading the CAD file I accept and agree to the [Terms and Conditions](#) of use.

Datasheets & Catalog Pages

[FASTON Tabs](#)

English

Product Specifications

[Application Specification](#)

English

Product Environmental Compliance

[MD_42490-3_090220152151_dmtec](#)

English

[MD_42490-3_090220152151_dmtec](#)

English