

42475-4 ✓ ACTIVE

FASTON | FASTON 250

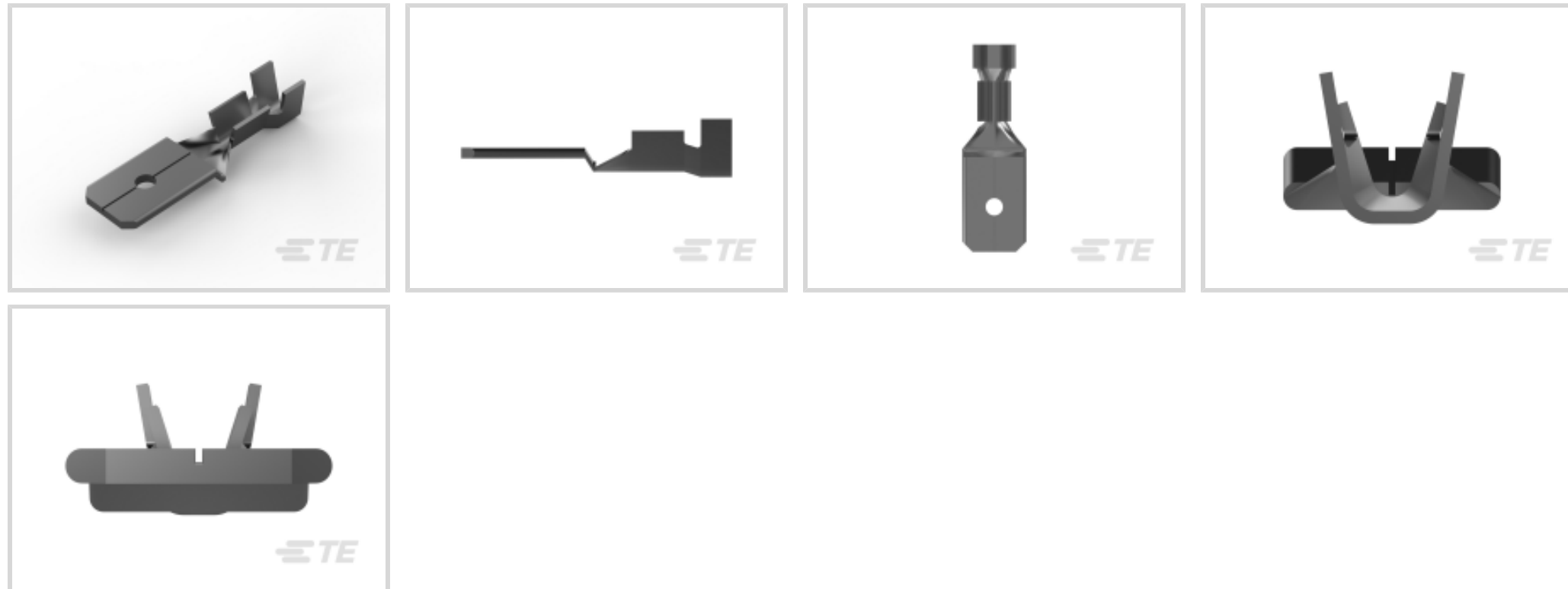
TE Internal #: 42475-4

Quick Disconnects, Tab, 22 – 18 AWG Wire Size, .32 – .82 mm² Wire Size, Mating Tab Width 6.35 mm [.25 in], Straight, Brass, Tin Plating, FASTON 250

[View on TE.com >](#)



Terminals & Splices > Quick Disconnects



Quick Disconnect Terminal Type: **Tab**

Wire Size: **.32 – .82 mm²**

Mating Tab Width: **6.35 mm [.25 in]**

Mating Tab Thickness: **.81 mm [.032 in]**

Features

Product Type Features

Insertion Force	Normal
-----------------	--------

Configuration Features

Connection Capacity	Single
Compatible With Wire & Cable Type	Discrete Wire

Contact Features

Quick Disconnect Terminal Type	Tab
Mating Tab Width	6.35 mm [.25 in]
Mating Tab Thickness	.81 mm [.032 in]
Terminal Orientation	Straight
Contact Base Material	Brass
Terminal Plating Material	Tin
Crimp Type	F-Crimp
Barrel Type	Open

Termination Features

--	--



Product Terminates To	Wire & Cable
-----------------------	--------------

Mechanical Attachment

Wire Insulation Support	With
Mating Retention Type	Dimple

Dimensions

Terminal Material Thickness	.4 mm[.015 in]
Product Length	20.7 mm[.815 in]
Compatible Insulation Diameter Range	2.03 – 3.05 mm[.08 – .12 in]
Wire Size	.32 – .82 mm ²

Usage Conditions

Insulation Option	Uninsulated
Operating Temperature Range	-40 – 110 °C[-40 – 230 °F]

Industry Standards

Agency/Standard	CSA, UL
-----------------	---------

Packaging Features

Packaging Quantity	3500
Packaging Method	Strip/Reel

Product Compliance

[For compliance documentation, visit the product page on TE.com>](#)

EU RoHS Directive 2011/65/EU	Compliant
EU ELV Directive 2000/53/EC	Compliant
China RoHS 2 Directive MIIT Order No 32, 2016	No Restricted Materials Above Threshold
EU REACH Regulation (EC) No. 1907/2006	Current ECHA Candidate List: JUNE 2023 (235) Candidate List Declared Against: JUNE 2023 (235) Does not contain REACH SVHC
Halogen Content	Low Halogen - Br, Cl, F, I < 900 ppm per homogenous material. Also BFR/CFR/PVC Free
Solder Process Capability	Not applicable for solder process capability

Product Compliance Disclaimer



This information is provided based on reasonable inquiry of our suppliers and represents our current actual knowledge based on the information they provided. This information is subject to change. The part numbers that TE has identified as EU RoHS compliant have a maximum concentration of 0.1% by weight in homogenous materials for lead, hexavalent chromium, mercury, PBB, PBDE, DBP, BBP, DEHP, DIBP, and 0.01% for cadmium, or qualify for an exemption to these limits as defined in the Annexes of Directive 2011/65/EU (RoHS2). Finished electrical and electronic equipment products will be CE marked as required by Directive 2011/65/EU. Components may not be CE marked. Additionally, the part numbers that TE has identified as EU ELV compliant have a maximum concentration of 0.1% by weight in homogenous materials for lead, hexavalent chromium, and mercury, and 0.01% for cadmium, or qualify for an exemption to these limits as defined in the Annexes of Directive 2000/53/EC (ELV). Regarding the REACH Regulation, the information TE provides on SVHC in articles for this part number is based on the latest European Chemicals Agency (ECHA) 'Guidance on requirements for substances in articles' posted at this URL: <https://echa.europa.eu/guidance-documents/guidance-on-reach>

Compatible Parts

TE Part # 60794-2
FASTIN NECESSARY?? - separate
GPL: 326

TE Part # 63165-2
FASTON 110 AMPLIVAR TAB 23-19
MAG TPBR

TE Part # 2305570-1
Strip Terminal Cutter-Side Feed-No
Crimp

TE Part # 63919-1
187 FASTON TAB 18-14 AWG TPBR

TE Part # 1494210-2
110 FASTON,TAB,22-17 AWG, JIS
C260

TE Part # 1742753-1
FASTON 2MM TAB 18-22AWG TPBR

TE Part # 61367-3
250 FASTON TAB 18-14 AWG TPBR

TE Part # 1494210-1
110 FASTON,TAB,22-17 AWG, JIS
C260

REPRESENTATION ONLY
TE Part # 575046-1
DAHT 250 FASTON 22-14 ASSY

TE Part # 180353-2
250 FASTON,TAB,12-10 AWG,TPBR

TE Part # 180353-1
250 FASTON,TAB,12-10 AWG,BR

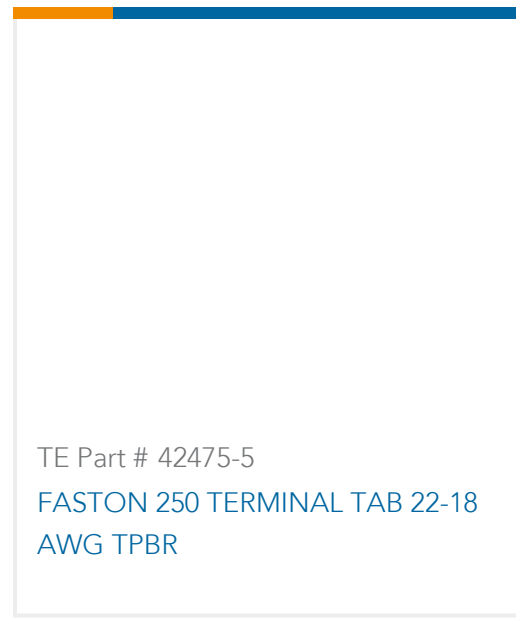
TE Part # 2151942-1
OCEAN_2.0_Applicator-S-080F130F

TE Part # 2151942-2
OCEAN_2.0_Applicator-S-080F130F-A

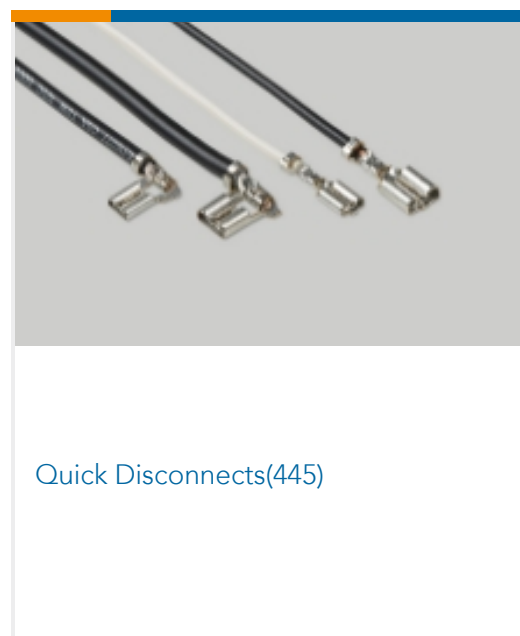
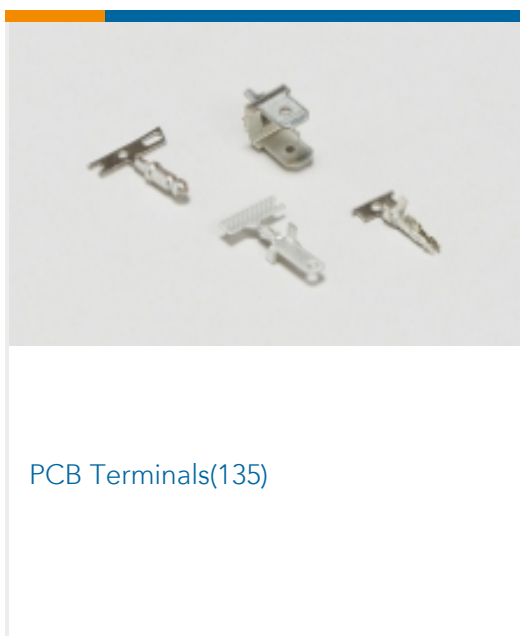
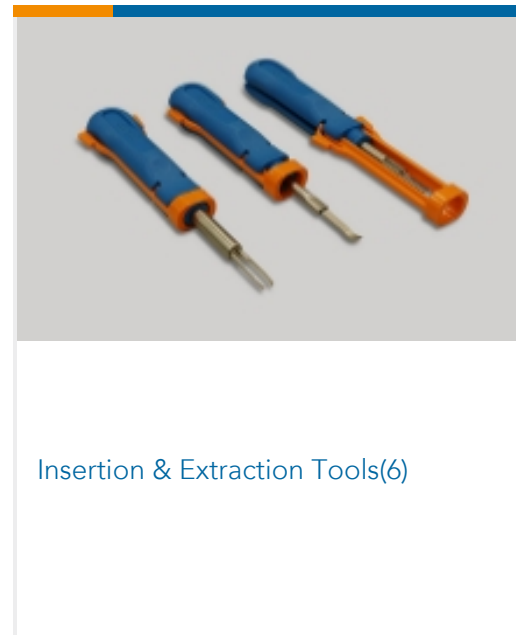
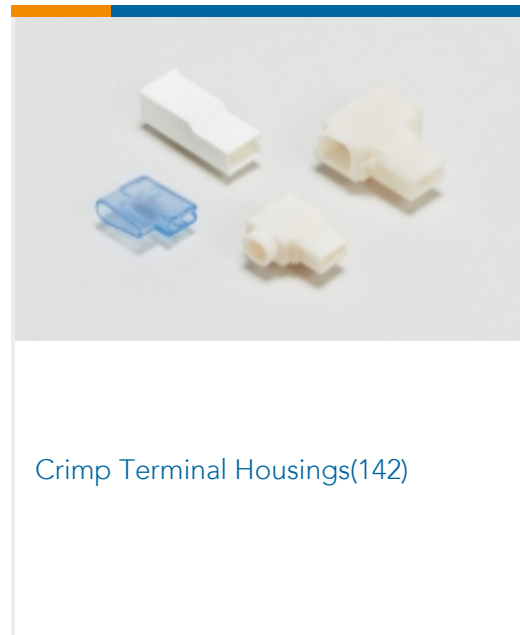
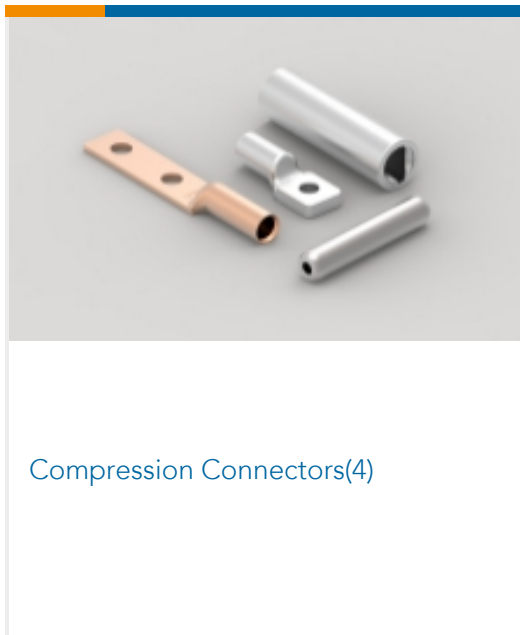
TE Part # 2238205-3
250 FASTON,FLAG,REC.,22-16 AWG,
PTBR

REPRESENTATION ONLY
TE Part # 47995
DAHT AMP FASTON 250 22-16 ASSY

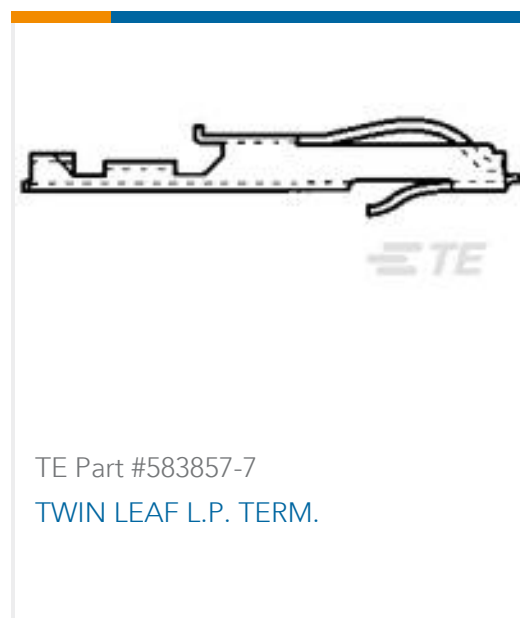
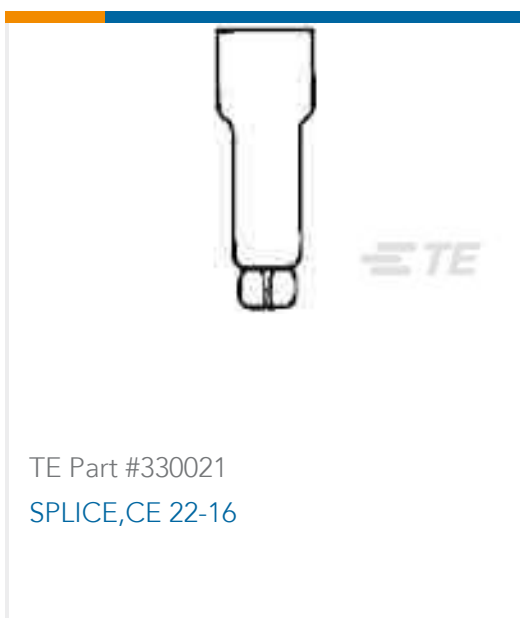
TE Part # 7-2151942-1
OCEAN_2.0_Applicator-S-080F130F

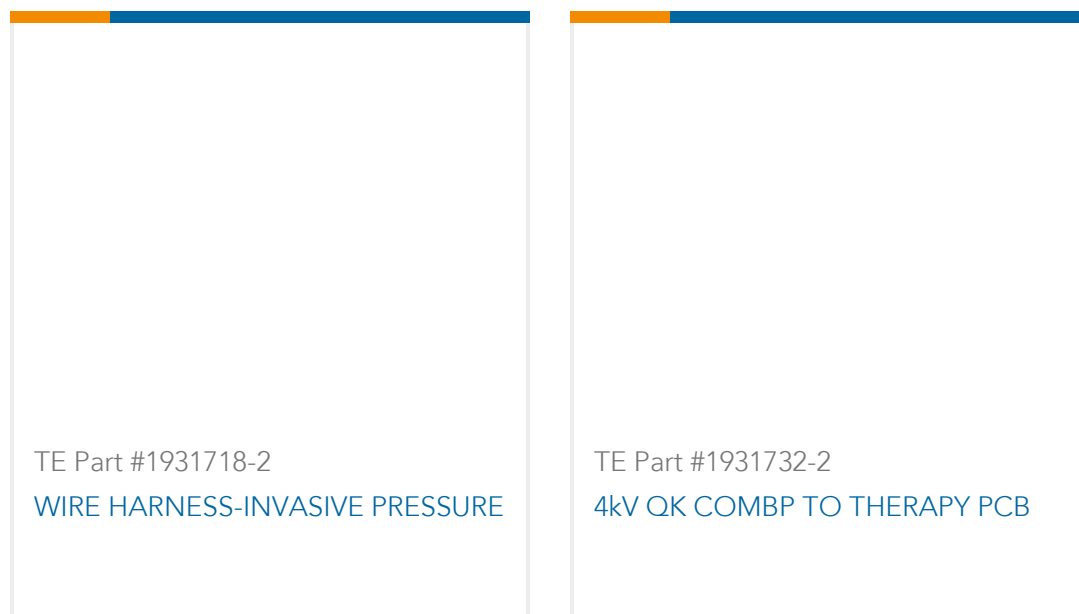


Also in the Series | **FASTON 250**



Customers Also Bought





Documents

Product Drawings

[250 FASTON TAB 22-18 AWG TPBR](#)

English

CAD Files

[3D PDF](#)

3D

Customer View Model

[ENG_CVM_CVM_42475-4_AG.2d_dxf.zip](#)

English

Customer View Model

[ENG_CVM_CVM_42475-4_AG.3d_igs.zip](#)

English

Customer View Model

[ENG_CVM_CVM_42475-4_AG.3d_stp.zip](#)

English

By downloading the CAD file I accept and agree to the [Terms and Conditions](#) of use.

Datasheets & Catalog Pages

[FASTON Tabs](#)

English

Product Specifications

[Application Specification](#)

English

Product Environmental Compliance

[MD_42475-4_060520181211_dmtec](#)

English

[MD_42475-4_060520181211_dmtec](#)

English

Agency Approvals

[CSA Certificate](#)

English

[CSA Certificate](#)

42475-4

Quick Disconnects, Tab, 22 – 18 AWG Wire Size, .32 – .82 mm² Wire Size, Mating Tab
Width 6.35 mm [.25 in], Straight, Brass, Tin Plating, FASTON 250



English