

42475-3 ✓ ACTIVE

FASTON | FASTON 250

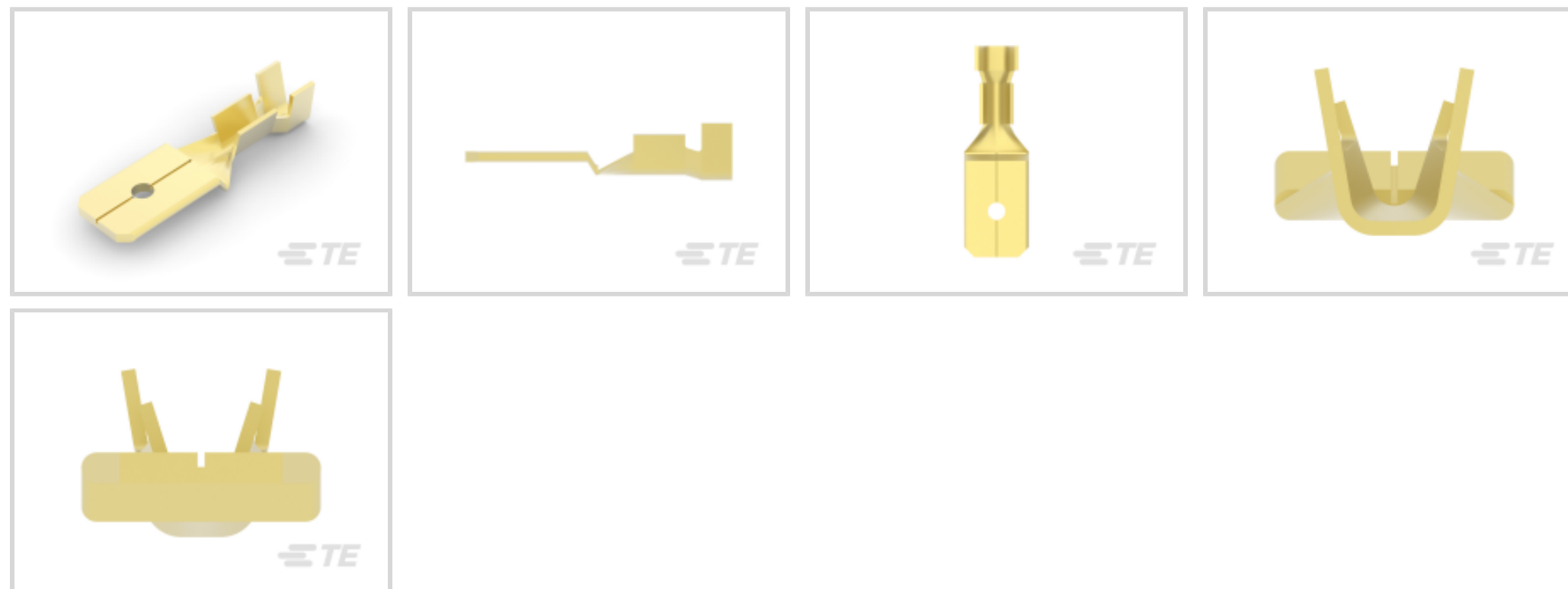
TE Internal #: 42475-3

Quick Disconnects, Tab, 22 – 18 AWG Wire Size, .32 – .82 mm² Wire Size, Mating Tab Width 6.35 mm [.25 in], Straight, Brass, FASTON 250

[View on TE.com >](#)



Terminals & Splices > Quick Disconnects



Quick Disconnect Terminal Type: **Tab**

Wire Size: **.32 – .82 mm²**

Mating Tab Width: **6.35 mm [.25 in]**

Mating Tab Thickness: **.81 mm [.032 in]**

Features

Product Type Features

| | |
|-----------------|--------|
| Insertion Force | Normal |
|-----------------|--------|

Configuration Features

| | |
|---------------------|--------|
| Connection Capacity | Single |
|---------------------|--------|

| | |
|-----------------------------------|---------------|
| Compatible With Wire & Cable Type | Discrete Wire |
|-----------------------------------|---------------|

Contact Features

| | |
|--------------------------------|-----|
| Quick Disconnect Terminal Type | Tab |
|--------------------------------|-----|

| | |
|------------------|------------------|
| Mating Tab Width | 6.35 mm [.25 in] |
|------------------|------------------|

| | |
|----------------------|------------------|
| Mating Tab Thickness | .81 mm [.032 in] |
|----------------------|------------------|

| | |
|----------------------|----------|
| Terminal Orientation | Straight |
|----------------------|----------|

| | |
|-----------------------|-------|
| Contact Base Material | Brass |
|-----------------------|-------|

| | |
|---------------------------|----------|
| Terminal Plating Material | Unplated |
|---------------------------|----------|

| | |
|------------|---------|
| Crimp Type | F-Crimp |
|------------|---------|

| | |
|-------------|------|
| Barrel Type | Open |
|-------------|------|

Termination Features



| | |
|-----------------------|--------------|
| Product Terminates To | Wire & Cable |
|-----------------------|--------------|

Mechanical Attachment

| | |
|-------------------------|--------|
| Wire Insulation Support | With |
| Mating Retention Type | Dimple |

Dimensions

| | |
|--------------------------------------|------------------------------|
| Terminal Material Thickness | .4 mm[.015 in] |
| Product Length | 20.7 mm[.815 in] |
| Compatible Insulation Diameter Range | 2.03 – 3.05 mm[.08 – .12 in] |
| Wire Size | .32 – .82 mm ² |

Usage Conditions

| | |
|-----------------------------|----------------------------|
| Insulation Option | Uninsulated |
| Operating Temperature Range | -40 – 110 °C[-40 – 230 °F] |

Industry Standards

| | |
|-----------------|---------|
| Agency/Standard | CSA, UL |
|-----------------|---------|

Packaging Features

| | |
|--------------------|------------|
| Packaging Quantity | 3500 |
| Packaging Method | Strip/Reel |

Product Compliance

[For compliance documentation, visit the product page on TE.com>](#)

| | |
|---|---|
| EU RoHS Directive 2011/65/EU | Compliant |
| EU ELV Directive 2000/53/EC | Compliant |
| China RoHS 2 Directive MIIT Order No 32, 2016 | No Restricted Materials Above Threshold |
| EU REACH Regulation (EC) No. 1907/2006 | Current ECHA Candidate List: JUNE 2023 (235) Candidate List Declared Against: JUNE 2023 (235) Does not contain REACH SVHC |
| Halogen Content | Low Halogen - Br, Cl, F, I < 900 ppm per homogenous material. Also BFR/CFR/PVC Free |
| Solder Process Capability | Not applicable for solder process capability |

Product Compliance Disclaimer

This information is provided based on reasonable inquiry of our suppliers and represents our current actual knowledge based on the information they provided. This information is subject to change. The part numbers that TE has identified as EU RoHS compliant have a maximum concentration of 0.1% by weight in homogenous materials for lead, hexavalent chromium, mercury, PBB, PBDE, DBP, BBP, DEHP, DIBP, and 0.01% for cadmium, or qualify for an exemption to these limits as defined in the Annexes of Directive 2011/65/EU (RoHS2). Finished electrical and electronic equipment products will be CE marked as required by Directive 2011/65/EU. Components may not be CE marked. Additionally, the part numbers that TE has identified as EU ELV compliant have a maximum concentration of 0.1% by weight in homogenous materials for lead, hexavalent chromium, and mercury, and 0.01% for cadmium, or qualify for an exemption to these limits as defined in the Annexes of Directive 2000/53/EC (ELV). Regarding the REACH Regulation, the information TE provides on SVHC in articles for this part number is based on the latest European Chemicals Agency (ECHA) 'Guidance on requirements for substances in articles' posted at this URL: <https://echa.europa.eu/guidance-documents/guidance-on-reach>

Compatible Parts

TE Part # 60794-2
FASTIN NECESSARY?? - separate
GPL: 326

TE Part # 63165-2
FASTON 110 AMPLIVAR TAB 23-19
MAG TPBR

TE Part # 2305570-1
Strip Terminal Cutter-Side Feed-No
Crimp

TE Part # 1494210-2
110 FASTON,TAB,22-17 AWG, JIS
C260

TE Part # 1742753-1
FASTON 2MM TAB 18-22AWG TPBR

TE Part # 61367-3
250 FASTON TAB 18-14 AWG TPBR

TE Part # 1494210-1
110 FASTON,TAB,22-17 AWG, JIS
C260

TE Part # 575046-1
DAHT 250 FASTON 22-14 ASSY
REPRESENTATION ONLY

TE Part # 180353-2
250 FASTON,TAB,12-10 AWG,TPBR

TE Part # 180353-1
250 FASTON,TAB,12-10 AWG,BR

TE Part # 2151942-1
OCEAN_2.0_Applicator-S-080F130F

TE Part # 2151942-2
OCEAN_2.0_Applicator-S-080F130F-A

TE Part # 47995
DAHT AMP FASTON 250 22-16 ASSY
REPRESENTATION ONLY

TE Part # 7-2151942-1
OCEAN_2.0_Applicator-S-080F130F

TE Part # 7-2151942-2
OCEAN_2.0_Applicator-S-080F130F-A

TE Part # 7-2151942-7
OCEAN_2.0_SPARE_PART_KIT-
080F130F
KIT
REPRESENTATION ONLY



Also in the Series | FASTON 250



Compression Connectors(4)



Crimp Terminal Housings(142)



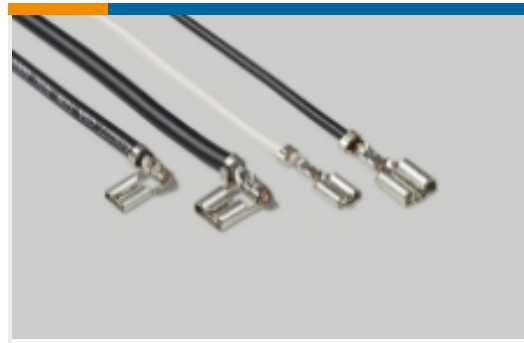
Insertion & Extraction Tools(6)



Magnet Wire Terminals(1)



PCB Terminals(135)



Quick Disconnects(445)



Splices(4)

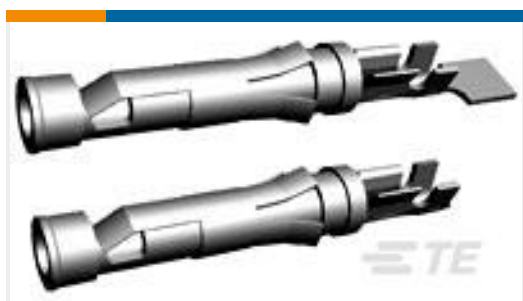
Customers Also Bought



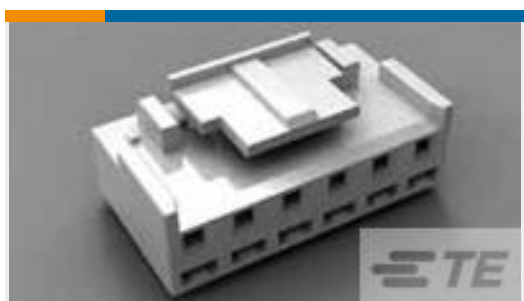
TE Part #1375820-7
CST-100 II HOUSING 7 POS



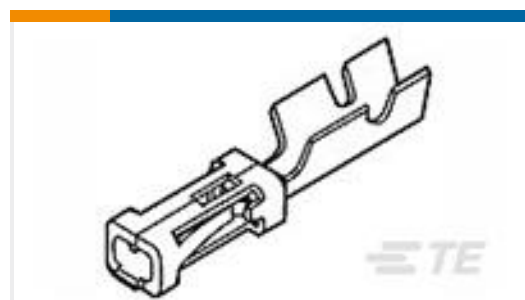
TE Part #213974-1
METRIMATE 30P RCPT HOUSING



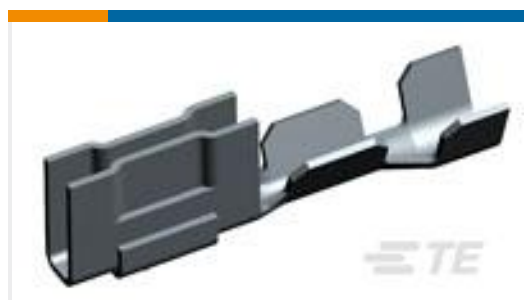
TE Part #2-66104-3
III+ SKT,24-20,30AU/FL,STRIP



TE Part #1-1123722-9
3.96 EP PLUG HSG 9P(NATURAL)



TE Part #166309-2
MOD-5 REC.CONTACT



TE Part #1375819-1
CST-100 II CONTACT TIN PLT



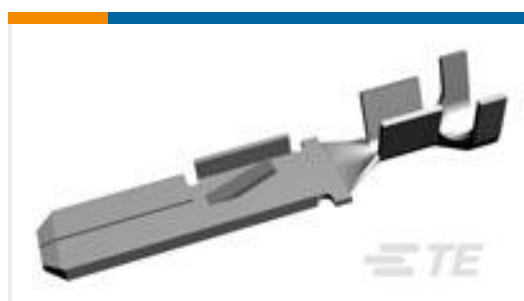
TE Part #1-967239-1
JPT GEH KPL GEH 2P



TE Part #1924968-2
Contact, male 0.64, 18 AWG



TE Part #2-1419158-5
GET MALE TERM, B, SN, REREEL



TE Part #153301-2
5.16 TAB



Documents

Product Drawings

250 FASTON TAB 22-18 AWG BR

English

CAD Files

3D PDF

3D

Customer View Model

[ENG_CVM_CVM_42475-3_AG.2d_dxf.zip](#)

English

Customer View Model

[ENG_CVM_CVM_42475-3_AG.3d_igs.zip](#)

English

Customer View Model

[ENG_CVM_CVM_42475-3_AG.3d_stp.zip](#)

English

By downloading the CAD file I accept and agree to the [Terms and Conditions](#) of use.

Datasheets & Catalog Pages

FASTON Tabs

English

Product Specifications

Application Specification

English

Agency Approvals

CSA Certificate

English

CSA Certificate

English