

42475-2 ✓ ACTIVE

FASTON | FASTON 250

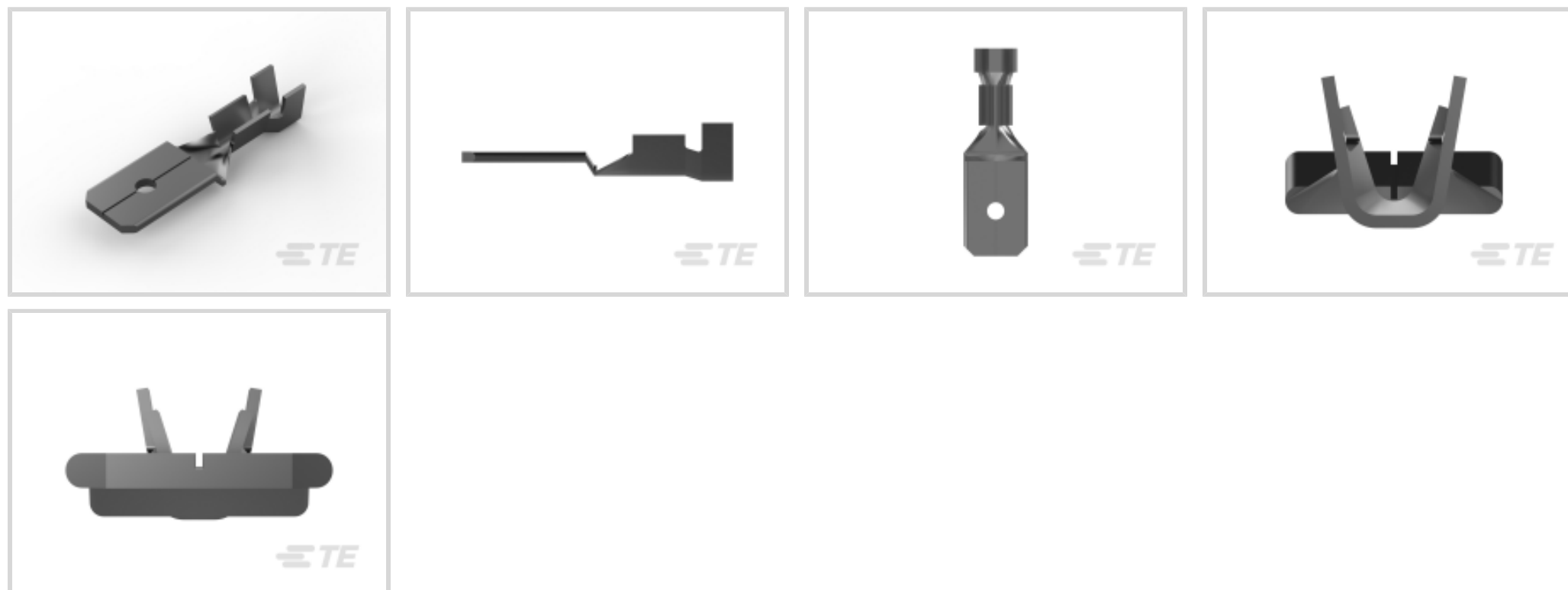
TE Internal #: 42475-2

Quick Disconnects, Tab, 22 – 18 AWG Wire Size, .32 – .82 mm<sup>2</sup> Wire Size, Mating Tab Width 6.35 mm [.25 in], Straight, Brass, Tin Plating, FASTON 250

[View on TE.com >](#)



Terminals & Splices > Quick Disconnects



Quick Disconnect Terminal Type: **Tab**

Wire Size: **.32 – .82 mm<sup>2</sup>**

Mating Tab Width: **6.35 mm [.25 in]**

Mating Tab Thickness: **.81 mm [.032 in]**

## Features

### Product Type Features

Insertion Force	Normal
-----------------	--------

### Configuration Features

Connection Capacity	Single
Compatible With Wire & Cable Type	Discrete Wire

### Contact Features

Quick Disconnect Terminal Type	Tab
Mating Tab Width	6.35 mm [.25 in]
Mating Tab Thickness	.81 mm [.032 in]
Terminal Orientation	Straight
Contact Base Material	Brass
Terminal Plating Material	Tin
Crimp Type	F-Crimp
Barrel Type	Open

### Termination Features



Product Terminates To	Wire & Cable
-----------------------	--------------

### Mechanical Attachment

Wire Insulation Support	With
Mating Retention Type	Dimple

### Dimensions

Terminal Material Thickness	.4 mm[.015 in]
Product Length	20.7 mm[.815 in]
Compatible Insulation Diameter Range	2.03 – 3.05 mm[.08 – .12 in]
Wire Size	.32 – .82 mm <sup>2</sup>

### Usage Conditions

Insulation Option	Uninsulated
Operating Temperature Range	-40 – 110 °C[-40 – 230 °F]

### Industry Standards

Agency/Standard	UL
-----------------	----

### Packaging Features

Packaging Quantity	3500
Packaging Method	Strip/Reel

### Product Compliance

[For compliance documentation, visit the product page on TE.com>](#)

EU RoHS Directive 2011/65/EU	Compliant
EU ELV Directive 2000/53/EC	Compliant
China RoHS 2 Directive MIIT Order No 32, 2016	No Restricted Materials Above Threshold
EU REACH Regulation (EC) No. 1907/2006	Current ECHA Candidate List: JUNE 2023 (235) Candidate List Declared Against: JUNE 2023 (235) Does not contain REACH SVHC
Halogen Content	Low Halogen - Br, Cl, F, I < 900 ppm per homogenous material. Also BFR/CFR/PVC Free
Solder Process Capability	Not applicable for solder process capability

Product Compliance Disclaimer



This information is provided based on reasonable inquiry of our suppliers and represents our current actual knowledge based on the information they provided. This information is subject to change. The part numbers that TE has identified as EU RoHS compliant have a maximum concentration of 0.1% by weight in homogenous materials for lead, hexavalent chromium, mercury, PBB, PBDE, DBP, BBP, DEHP, DIBP, and 0.01% for cadmium, or qualify for an exemption to these limits as defined in the Annexes of Directive 2011/65/EU (RoHS2). Finished electrical and electronic equipment products will be CE marked as required by Directive 2011/65/EU. Components may not be CE marked. Additionally, the part numbers that TE has identified as EU ELV compliant have a maximum concentration of 0.1% by weight in homogenous materials for lead, hexavalent chromium, and mercury, and 0.01% for cadmium, or qualify for an exemption to these limits as defined in the Annexes of Directive 2000/53/EC (ELV). Regarding the REACH Regulation, the information TE provides on SVHC in articles for this part number is based on the latest European Chemicals Agency (ECHA) 'Guidance on requirements for substances in articles' posted at this URL: <https://echa.europa.eu/guidance-documents/guidance-on-reach>

## Compatible Parts



TE Part # 60794-2  
FASTIN NECESSARY?? - separate  
GPL: 326



TE Part # 63165-2  
FASTON 110 AMPLIVAR TAB 23-19  
MAG TPBR



TE Part # 2305570-1  
Strip Terminal Cutter-Side Feed-No  
Crimp



TE Part # 63919-1  
187 FASTON TAB 18-14 AWG TPBR



TE Part # 1494210-2  
110 FASTON,TAB,22-17 AWG, JIS  
C260



TE Part # 1742753-1  
FASTON 2MM TAB 18-22AWG TPBR



TE Part # 61367-3  
250 FASTON TAB 18-14 AWG TPBR



TE Part # 1494210-1  
110 FASTON,TAB,22-17 AWG, JIS  
C260



REPRESENTATION ONLY

TE Part # 575046-1  
DAHT 250 FASTON 22-14 ASSY



TE Part # 180353-2  
250 FASTON,TAB,12-10 AWG,TPBR



TE Part # 180353-1  
250 FASTON,TAB,12-10 AWG,BR



REPRESENTATION ONLY

TE Part # 47995  
DAHT AMP FASTON 250 22-16 ASSY



TE Part # 63535-1  
TAB SPECIAL 025TPBR



## Also in the Series | FASTON 250



Compression Connectors(4)



Crimp Terminal Housings(142)



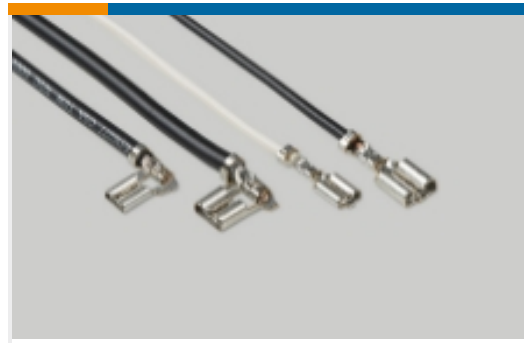
Insertion & Extraction Tools(6)



Magnet Wire Terminals(1)



PCB Terminals(135)



Quick Disconnects(445)



Splices(4)

## Customers Also Bought



TE Part #2213800-1  
COOLSPLICE NEW STANDARD



TE Part #215083-4  
MICRO-MATCH MOW.04P



TE Part #86557-6  
FFC PIN ROUND WIRE PLATED



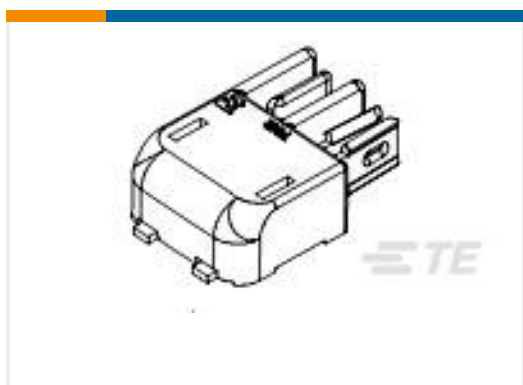
TE Part #T2111082201-007  
HMN-008-F



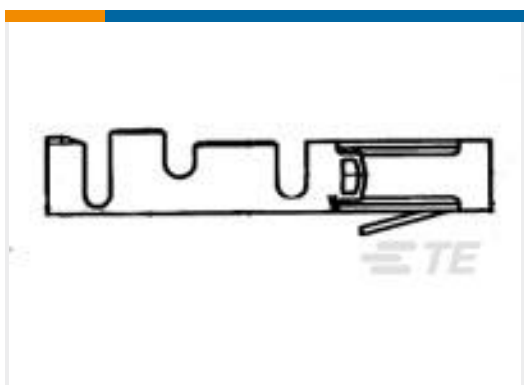
TE Part #770361-1  
06P .093 COMM P&S PLUG .250CL



TE Part #770372-1  
06P .093 COMM P&S RECPT .250CL



TE Part #2058703-1  
Herm Blade & Recp Assy, 2 Pos,Latch



TE Part #281556-2  
20AWG MOD 2 CRIMP TIN PLATE



TE Part #1-104257-4  
15 MTE RCPT HSG SR LATCH .100



TE Part #5-2176337-1  
CRGCQ 0402 150K 1%



## Documents

### Product Drawings

#### 250 FASTON TAB 22-18 AWG TPBR

English

---

### CAD Files

#### 3D PDF

3D

#### Customer View Model

[ENG\\_CVM\\_CVM\\_42475-2\\_AG.2d\\_dxf.zip](#)

English

#### Customer View Model

[ENG\\_CVM\\_CVM\\_42475-2\\_AG.3d\\_igs.zip](#)

English

#### Customer View Model

[ENG\\_CVM\\_CVM\\_42475-2\\_AG.3d\\_stp.zip](#)

English

By downloading the CAD file I accept and agree to the [Terms and Conditions](#) of use.

---

### Product Specifications

#### Application Specification

English

---

### Product Environmental Compliance

#### Product Compliance

English

#### Product Compliance

English

---

### Agency Approvals

#### Agency Approval Document

English