

42474-3 ✓ ACTIVE

FASTON | FASTON 250

TE Internal #: 42474-3

Quick Disconnects, Tab, 18 – 14 AWG Wire Size, .82 – 2.08 mm²

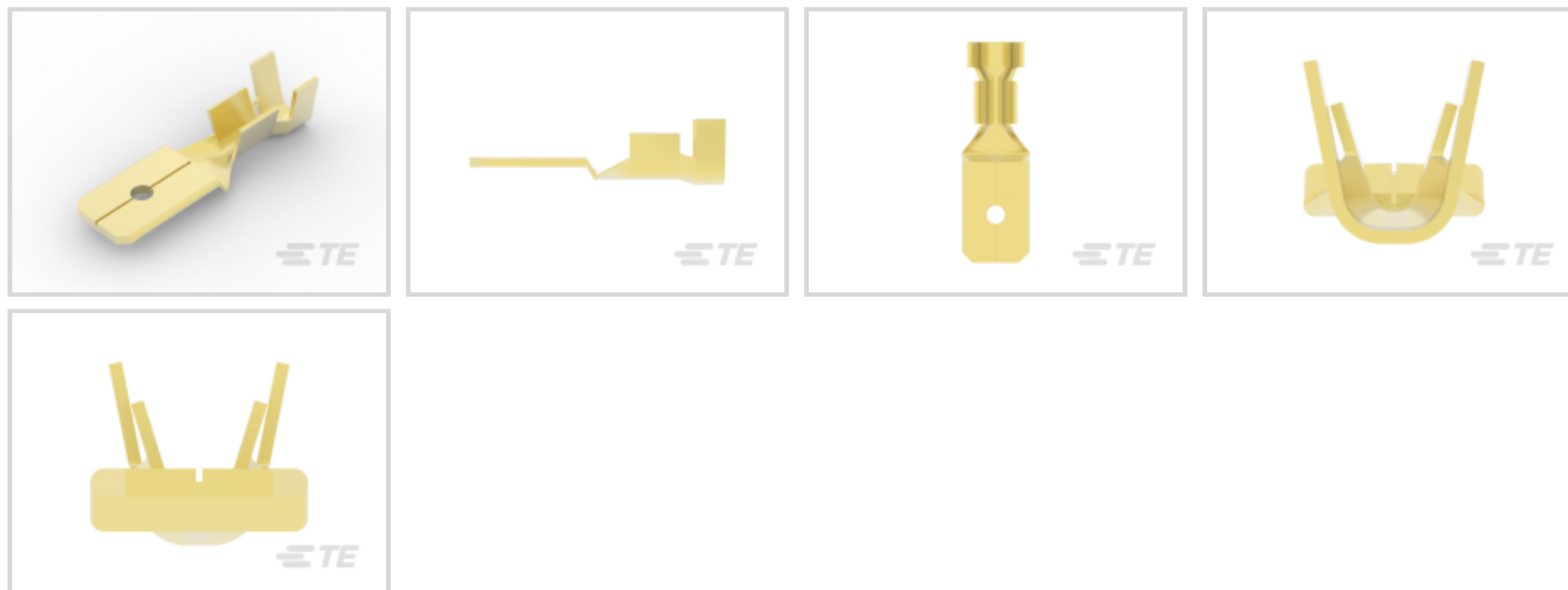
Wire Size, Mating Tab Width 6.35 mm [.25 in], Straight, Brass,

FASTON 250

[View on TE.com >](#)



Terminals & Splices > Quick Disconnects



Quick Disconnect Terminal Type: **Tab**

Wire Size: **.82 – 2.08 mm²**

Mating Tab Width: **6.35 mm [.25 in]**

Mating Tab Thickness: **.81 mm [.032 in]**

Features

Configuration Features

Connection Capacity	Single
Compatible With Wire & Cable Type	Discrete Wire

Contact Features

Quick Disconnect Terminal Type	Tab
Mating Tab Width	6.35 mm [.25 in]
Mating Tab Thickness	.81 mm [.032 in]
Terminal Orientation	Straight
Contact Base Material	Brass
Terminal Plating Material	Unplated
Crimp Type	F-Crimp
Barrel Type	Open

Termination Features

Product Terminates To	Wire & Cable
-----------------------	--------------

Mechanical Attachment



Wire Insulation Support	With
Mating Retention Type	Dimple

Dimensions

Terminal Material Thickness	.4 mm[.015 in]
Product Length	20.57 mm[.81 in]
Compatible Insulation Diameter Range	2.79 – 3.81 mm[.109 – .15 in]
Wire Size	.82 – 2.08 mm ²

Usage Conditions

Insulation Option	Uninsulated
Operating Temperature Range	-40 – 110 °C[-40 – 230 °F]

Packaging Features

Packaging Quantity	3000
Packaging Method	Strip/Reel

Product Compliance

[For compliance documentation, visit the product page on TE.com>](#)

EU RoHS Directive 2011/65/EU	Compliant
EU ELV Directive 2000/53/EC	Compliant
China RoHS 2 Directive MIIT Order No 32, 2016	No Restricted Materials Above Threshold
EU REACH Regulation (EC) No. 1907/2006	Current ECHA Candidate List: JUNE 2023 (235) Candidate List Declared Against: JUNE 2023 (235) Does not contain REACH SVHC
Halogen Content	Low Halogen - Br, Cl, F, I < 900 ppm per homogenous material. Also BFR/CFR/PVC Free
Solder Process Capability	Not applicable for solder process capability

Product Compliance Disclaimer

This information is provided based on reasonable inquiry of our suppliers and represents our current actual knowledge based on the information they provided. This information is subject to change. The part numbers that TE has identified as EU RoHS compliant have a maximum concentration of 0.1% by weight in homogenous materials for lead, hexavalent chromium, mercury, PBB, PBDE, DBP, BBP, DEHP, DIBP, and 0.01% for cadmium, or qualify for an exemption to these limits as defined in the Annexes of Directive 2011/65/EU (RoHS2). Finished electrical and electronic equipment products will be CE marked as required by Directive 2011/65/EU. Components may not be CE marked. Additionally, the part numbers that TE has identified as EU ELV compliant have a maximum concentration of 0.1% by weight in homogenous materials for lead, hexavalent chromium, and mercury, and 0.01% for cadmium, or qualify for an exemption to these limits as defined in the Annexes of Directive 2000/53/EC (ELV). Regarding the REACH Regulation, the information TE provides on SVHC in articles for this part number is based on the latest European Chemicals Agency (ECHA) 'Guidance on

requirements for substances in articles' posted at this URL: <https://echa.europa.eu/guidance-documents/guidance-on-reach>

Compatible Parts

REPRESENTATION ONLY

TE Part # 90165-1
 DAHT 250 FASTON REC 18-14 ASSY

TE Part # 2305570-1
 Strip Terminal Cutter-Side Feed-No Crimp

TE Part # 1494210-2
 110 FASTON, TAB, 22-17 AWG, JIS C260

TE Part # 1494210-1
 110 FASTON, TAB, 22-17 AWG, JIS C260

TE Part # 180353-1
 250 FASTON, TAB, 12-10 AWG, BR

TE Part # 2151128-1
 OCEAN_2.0_Applicator-S-110F180F

TE Part # 2151128-2
 OCEAN_2.0_Applicator-S-110F180F-A

TE Part # 7-2151128-1
 OCEAN_2.0_Applicator-S-110F180F

TE Part # 7-2151128-2
 OCEAN_2.0_Applicator-S-110F180F-A

KIT REPRESENTATION ONLY

TE Part # 7-2151128-7
 OCEAN_2.0_SPARE_PART_KIT-110F180F

TE Part # 2-2151128-1
 OCEAN_2.0_Applicator-S-110F180F

TE Part # 2-2151128-2
 OCEAN_2.0_Applicator-S-110F180F-A

Also in the Series | FASTON 250

Compression Connectors(4)

Crimp Terminal Housings(142)

Insertion & Extraction Tools(6)

Magnet Wire Terminals(1)



PCB Terminals(135)

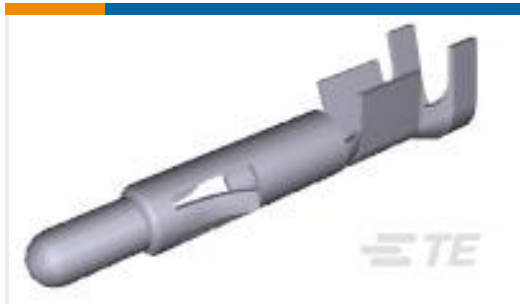


Quick Disconnects(445)



Splices(4)

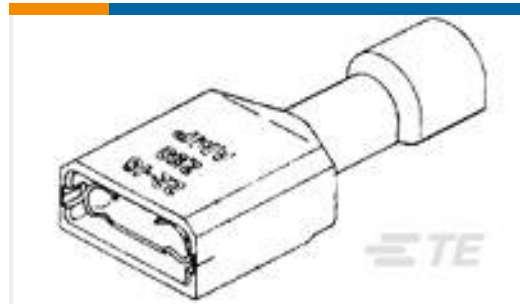
Customers Also Bought



TE Part #350547-3
 UMNL PIN 20-14 PTPPHBZ L/P



TE Part #2-1473562-3
 RITS CONN. PLUG ASSY 3P BLUE



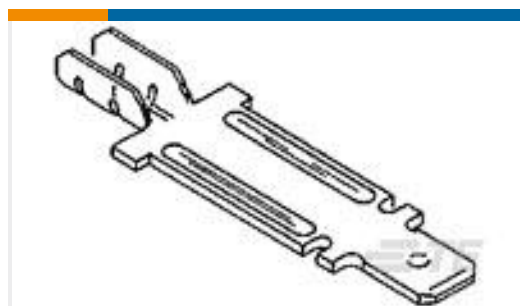
TE Part #2-520403-2
 ULTRA-FAST 187 ASY REC 22-18 TPBR



TE Part #61944-2
 250 FASTON REC 18-14 AWG TPBR



TE Part #41531
 250 FASTON FLAG REC 18-12 AWG BR



TE Part #63301-1
 250 FASTON TAB 22-15 AWG NPST



TE Part #532301J001
 versafit-V2 Heat shrink Tubing



TE Part #51864-5
 TERMINAL,PIDG R 16-14 8



TE Part #1217113-1
 PL 187 TERMINAL RECEPTACLE 22-18 AWG BR

Documents

Product Drawings

[250 FASTON TAB 18-14 AWG BR](#)

English

CAD Files

[3D PDF](#)

[3D](#)

Customer View Model

[ENG_CVM_CVM_42474-3_AP.2d_dxf.zip](#)



English

Customer View Model

[ENG_CVM_CVM_42474-3_AP.3d_igs.zip](#)

English

Customer View Model

[ENG_CVM_CVM_42474-3_AP.3d_stp.zip](#)

English

By downloading the CAD file I accept and agree to the [Terms and Conditions](#) of use.

Datasheets & Catalog Pages

FASTON Tabs

English

Agency Approvals

CSA Certificate

English

CSA Certificate

English